



# MONKEY HEAD

by: mike brandt



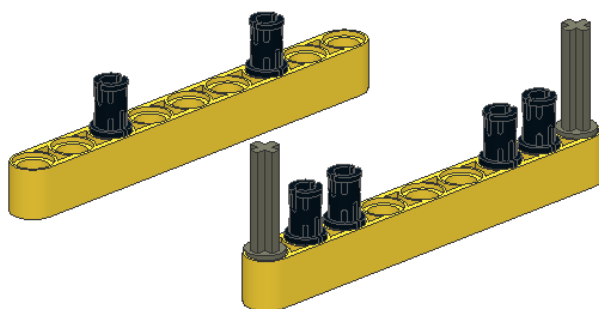
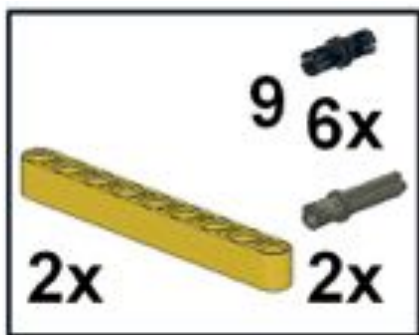
## ROBOTREMIX #2

The MCP presents ROBOTREMIX2 (21113 + 42049) Community Challenge - June 2016. MONKEY HEAD design by Michael Brandt, Building Instructions by Michael Brandt.  
This work is licensed under a Creative Commons Attribution-NonCommercial 4.0 International License. June 2016

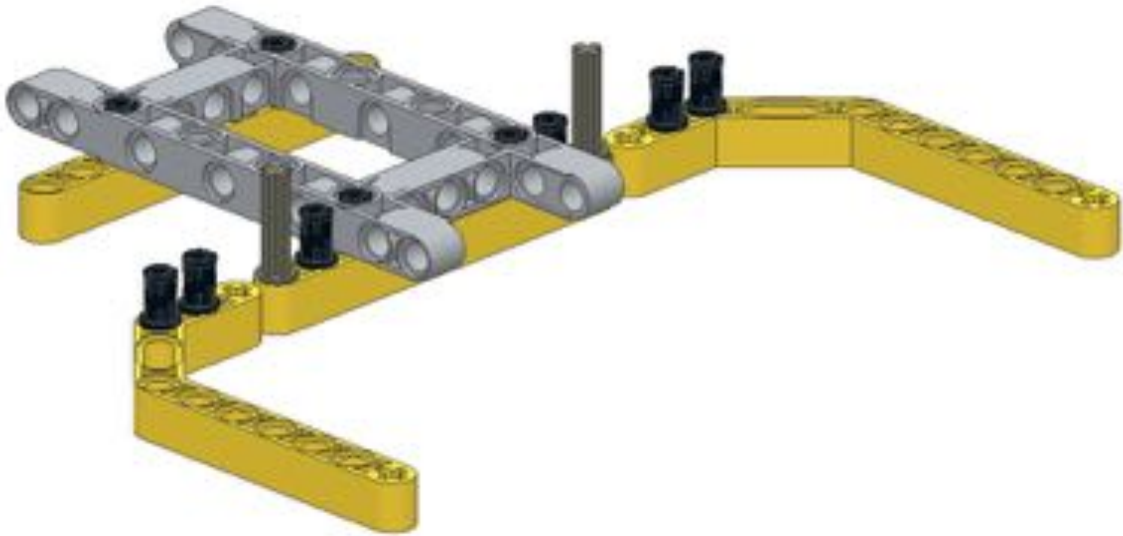
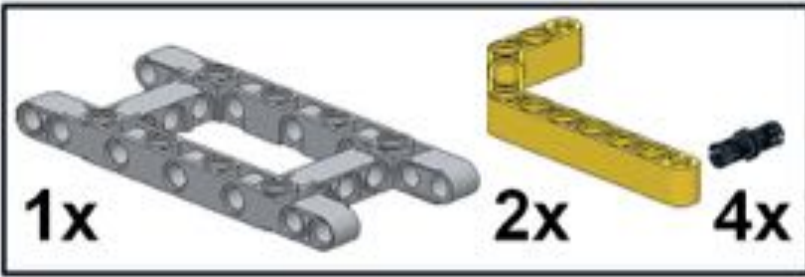
# Pt 1/3, bottom



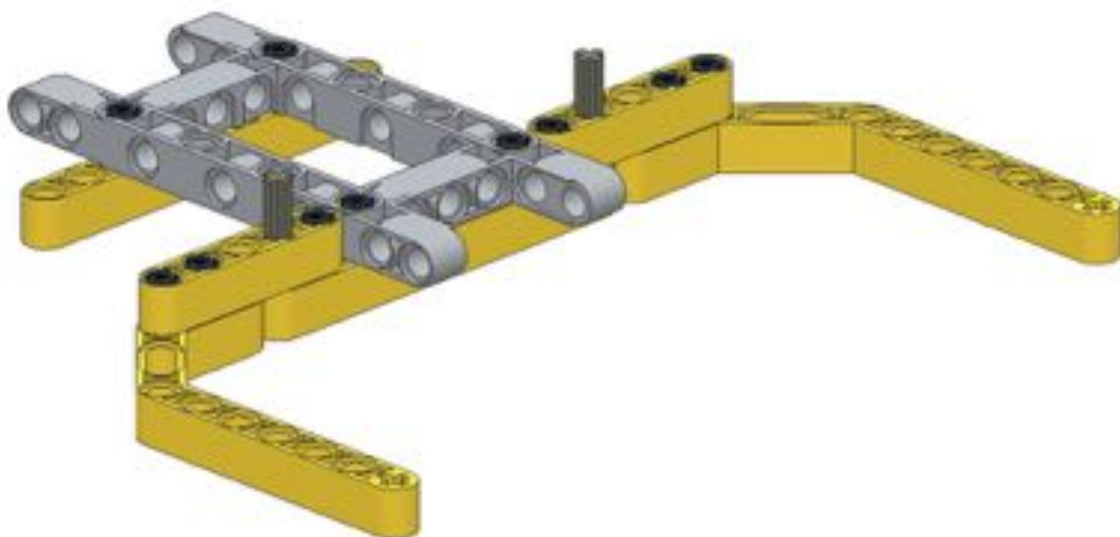
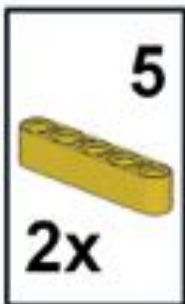
1



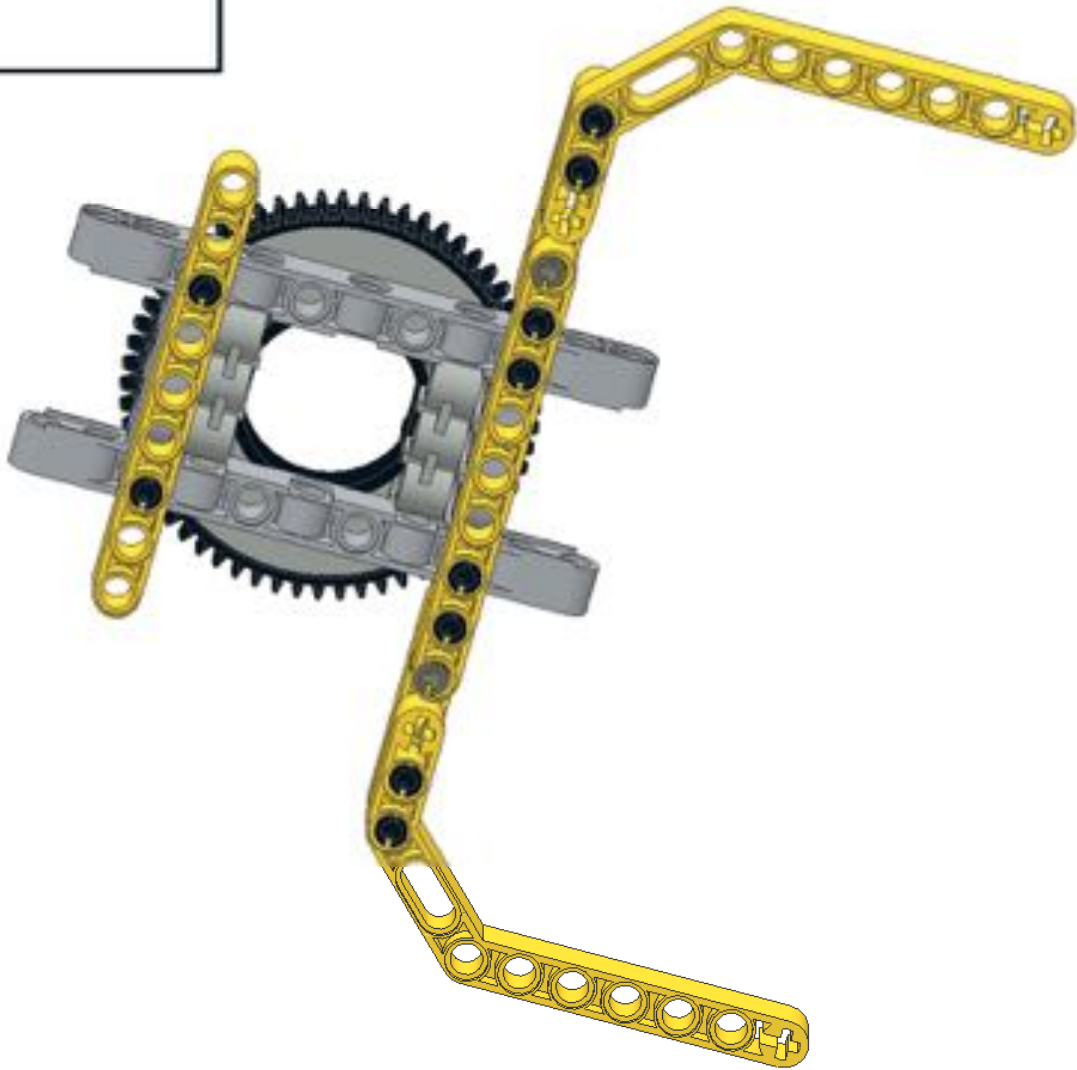
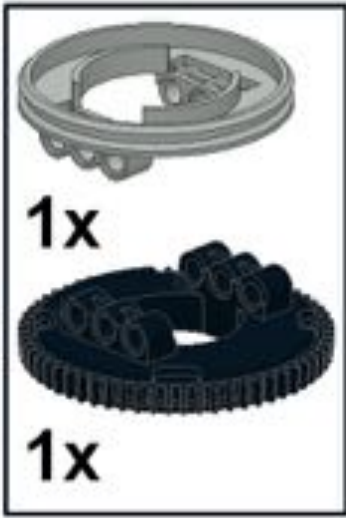
2



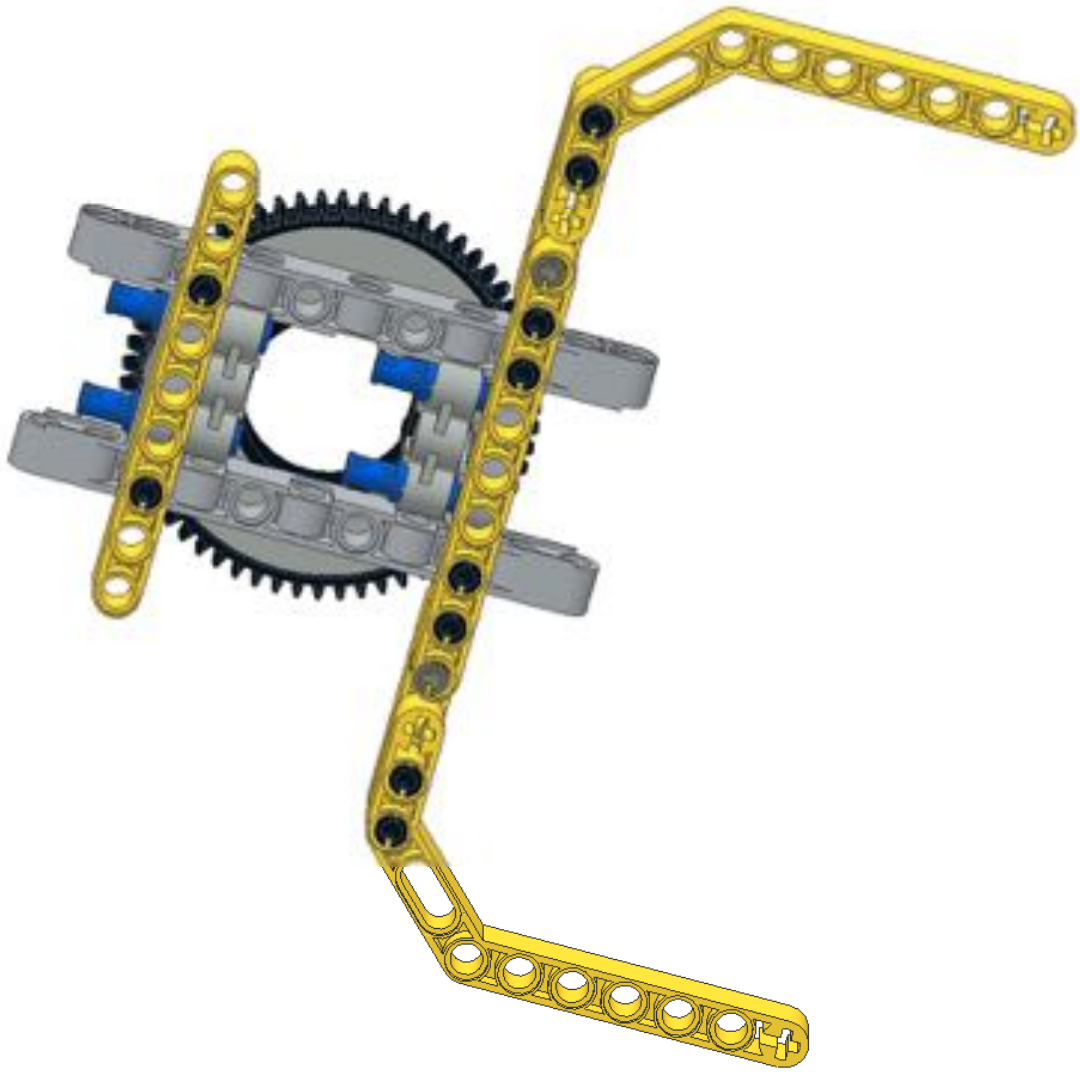
3



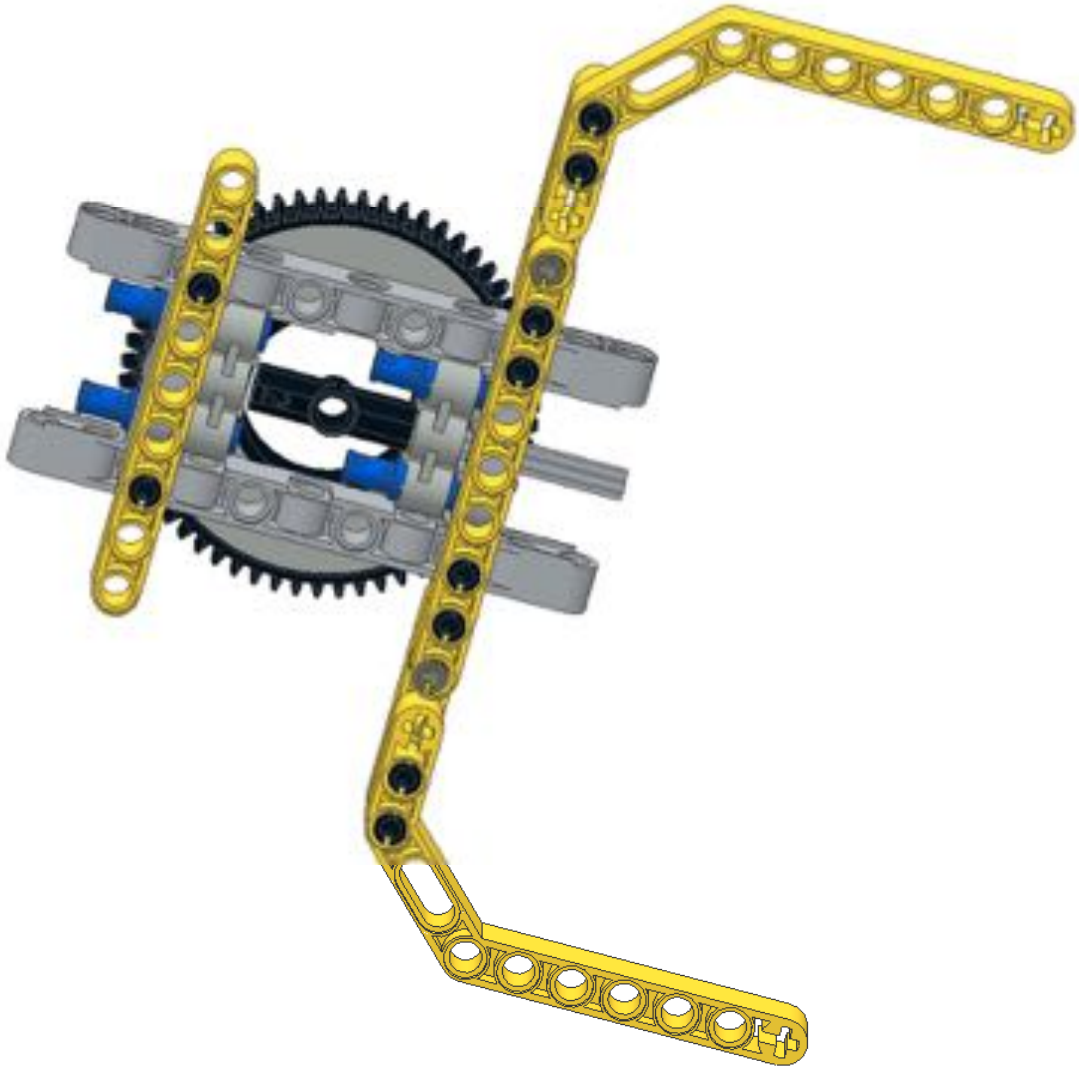
4



5

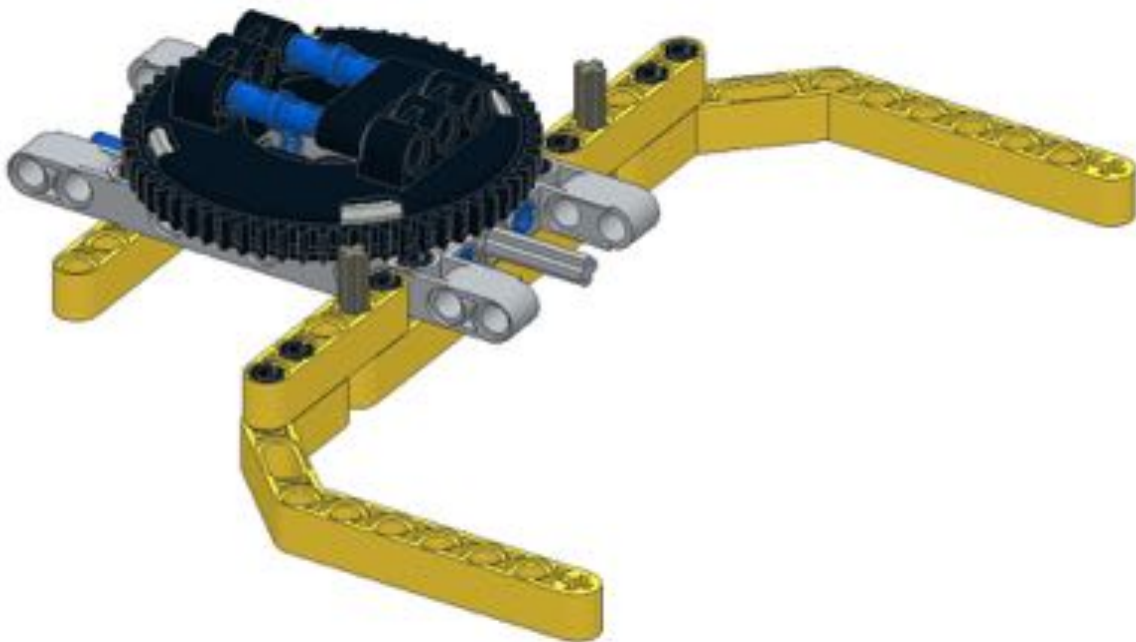


6

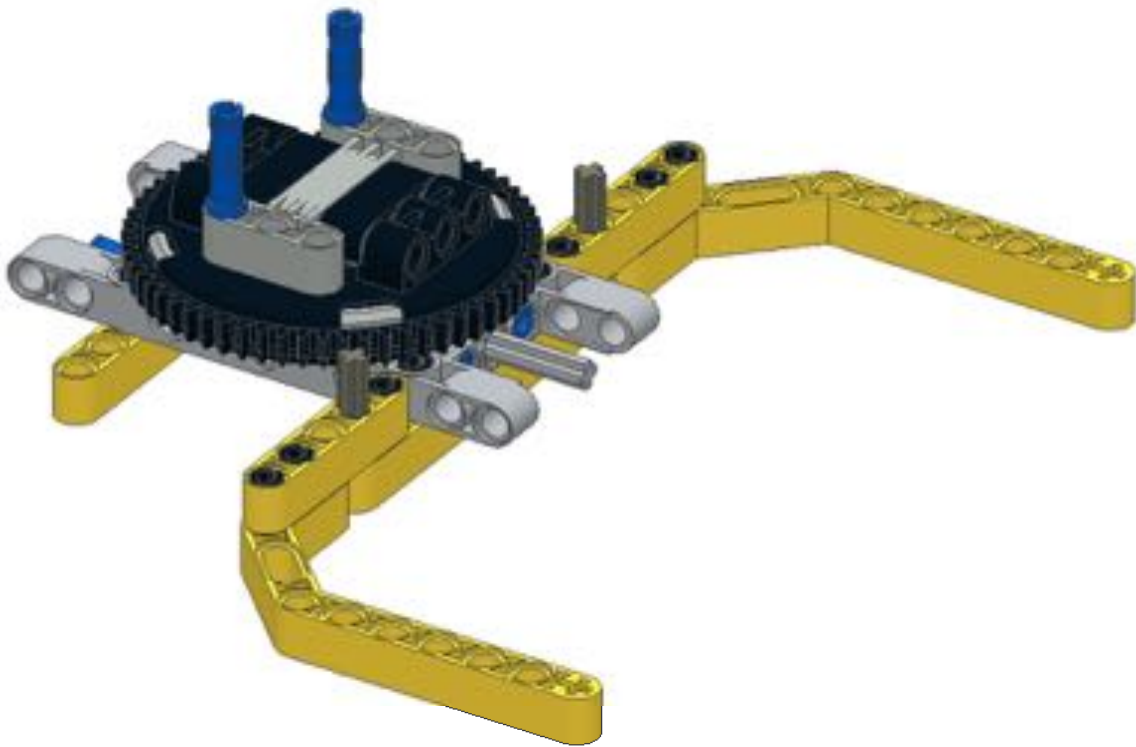




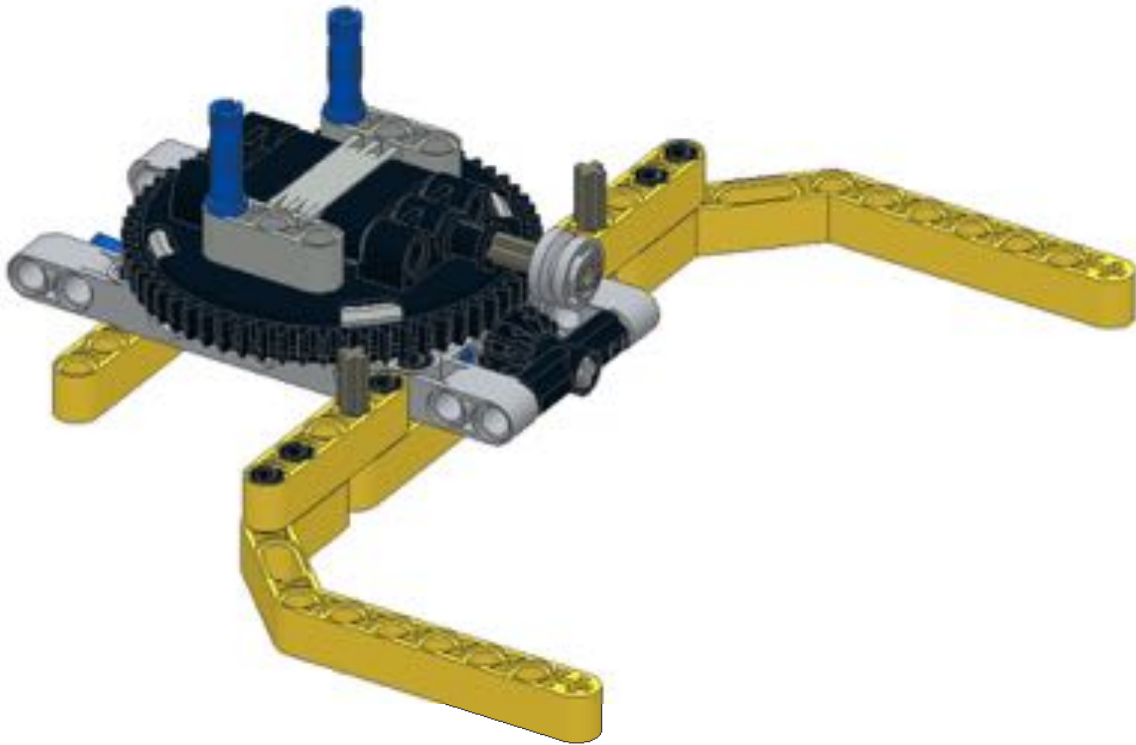
7



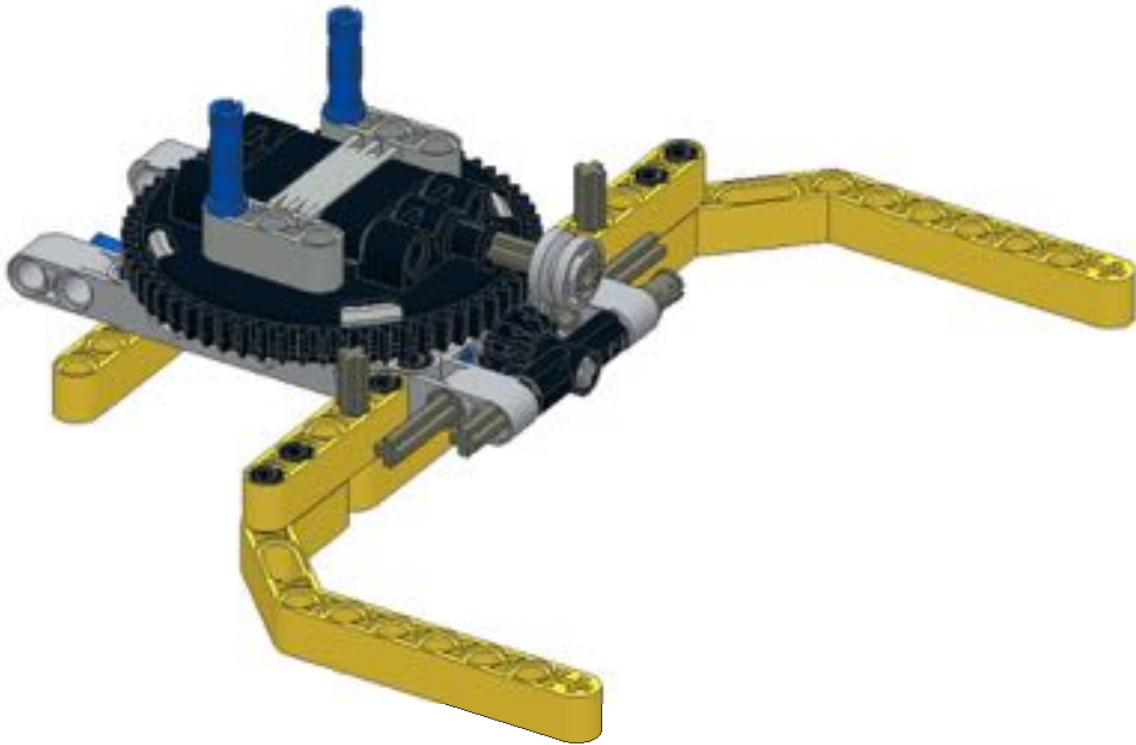
8



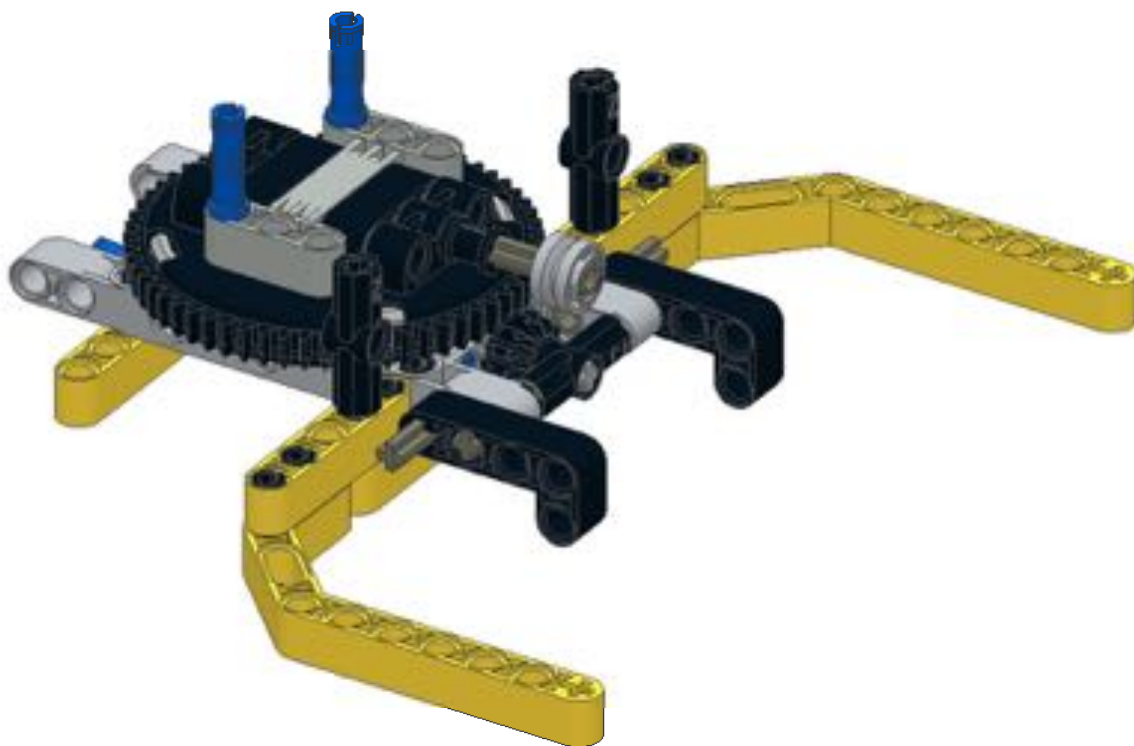
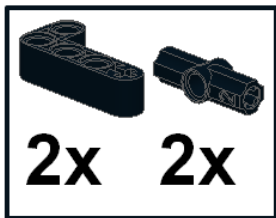
9



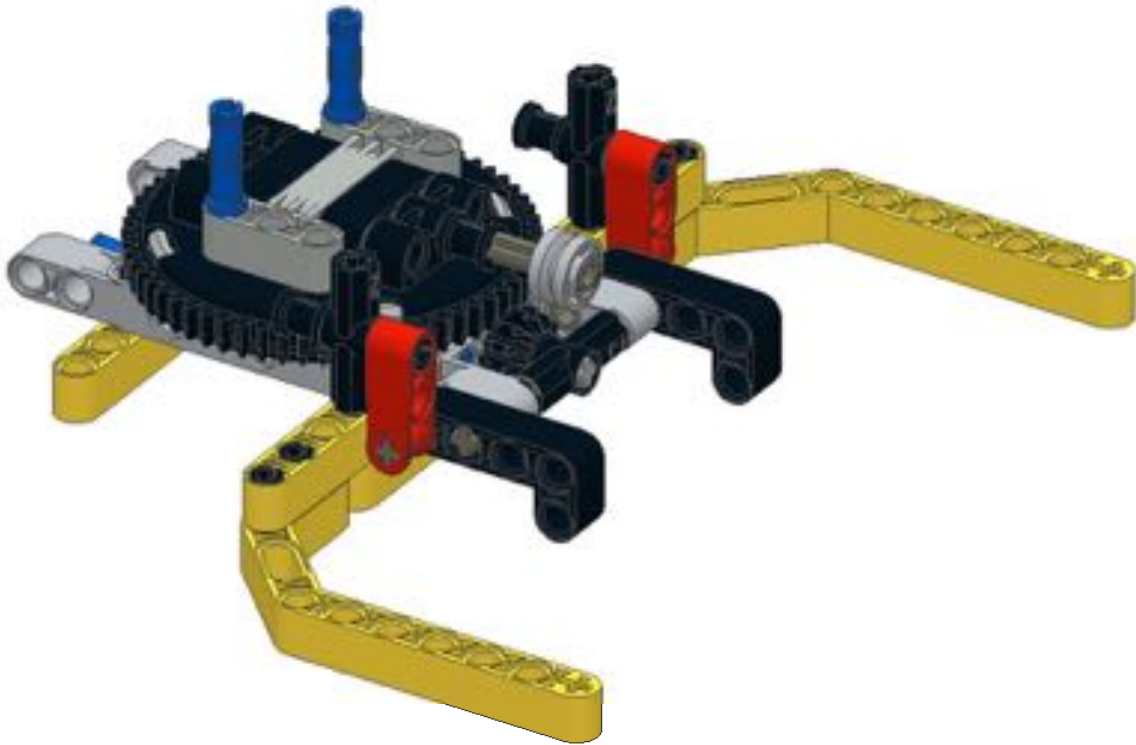
10  4x



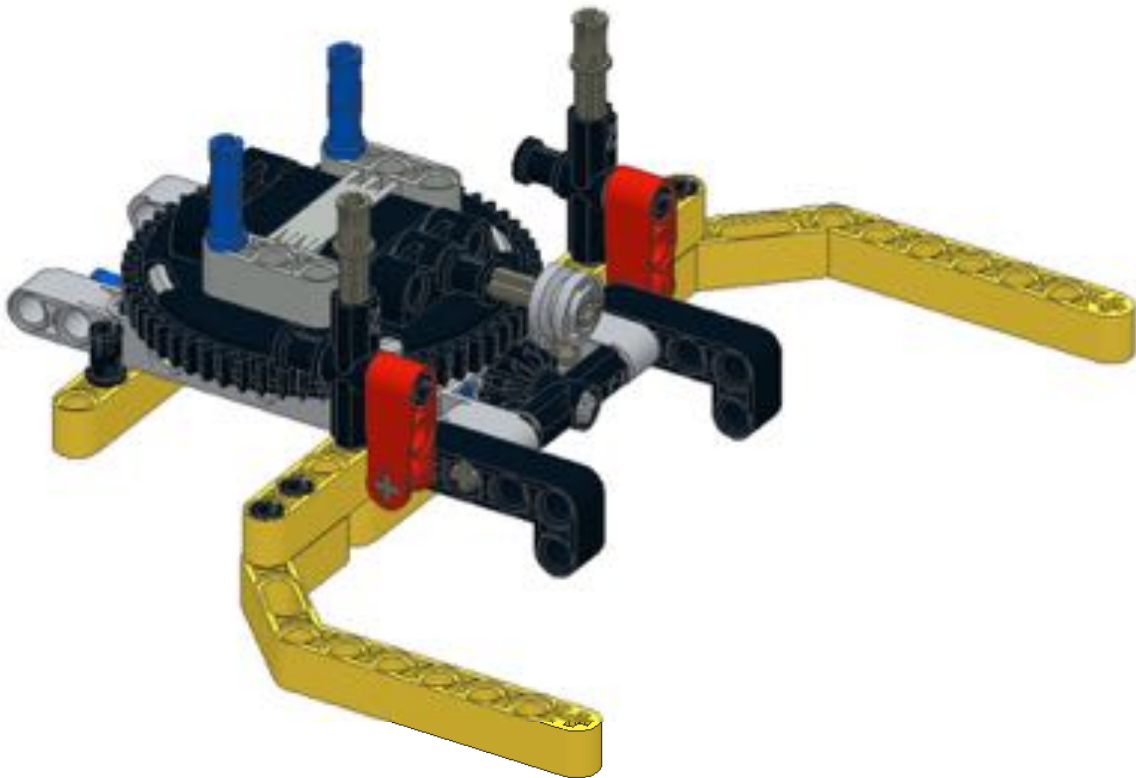
# 11



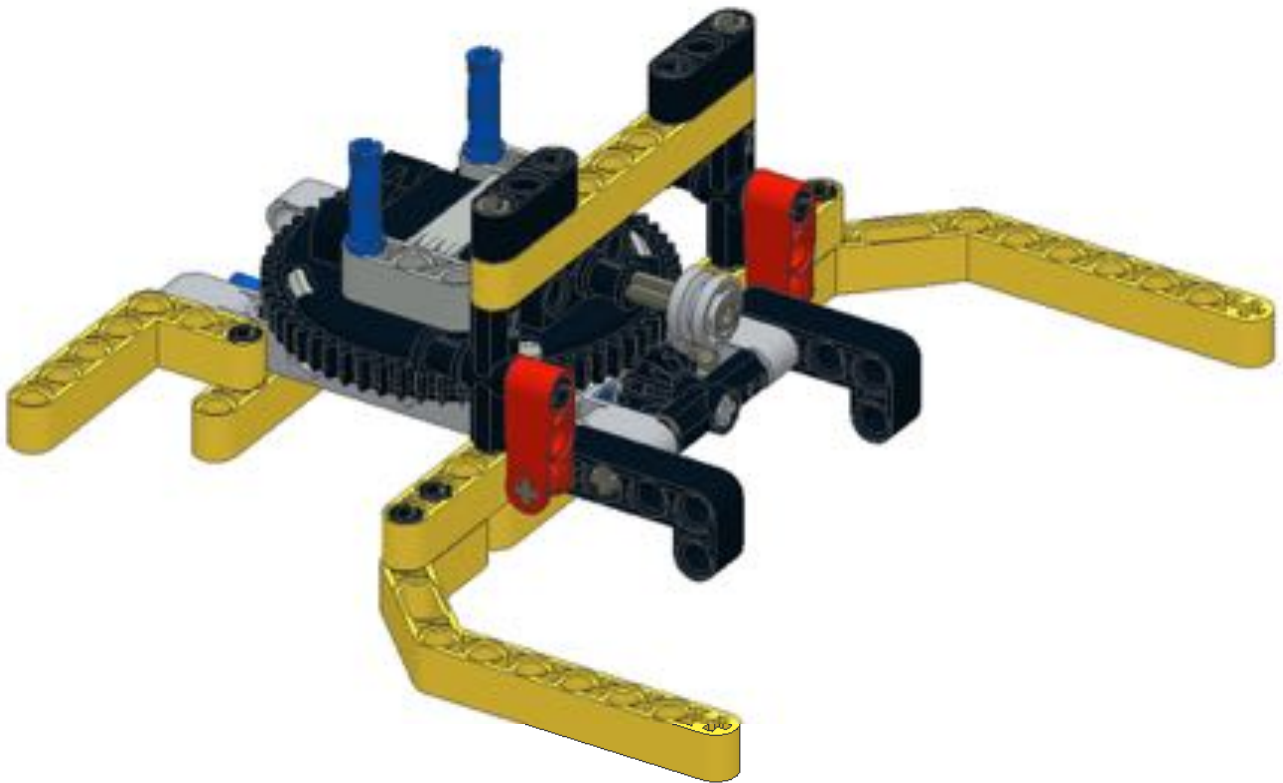
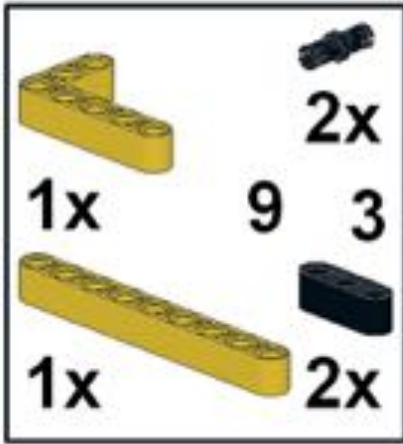
# 12



# 13

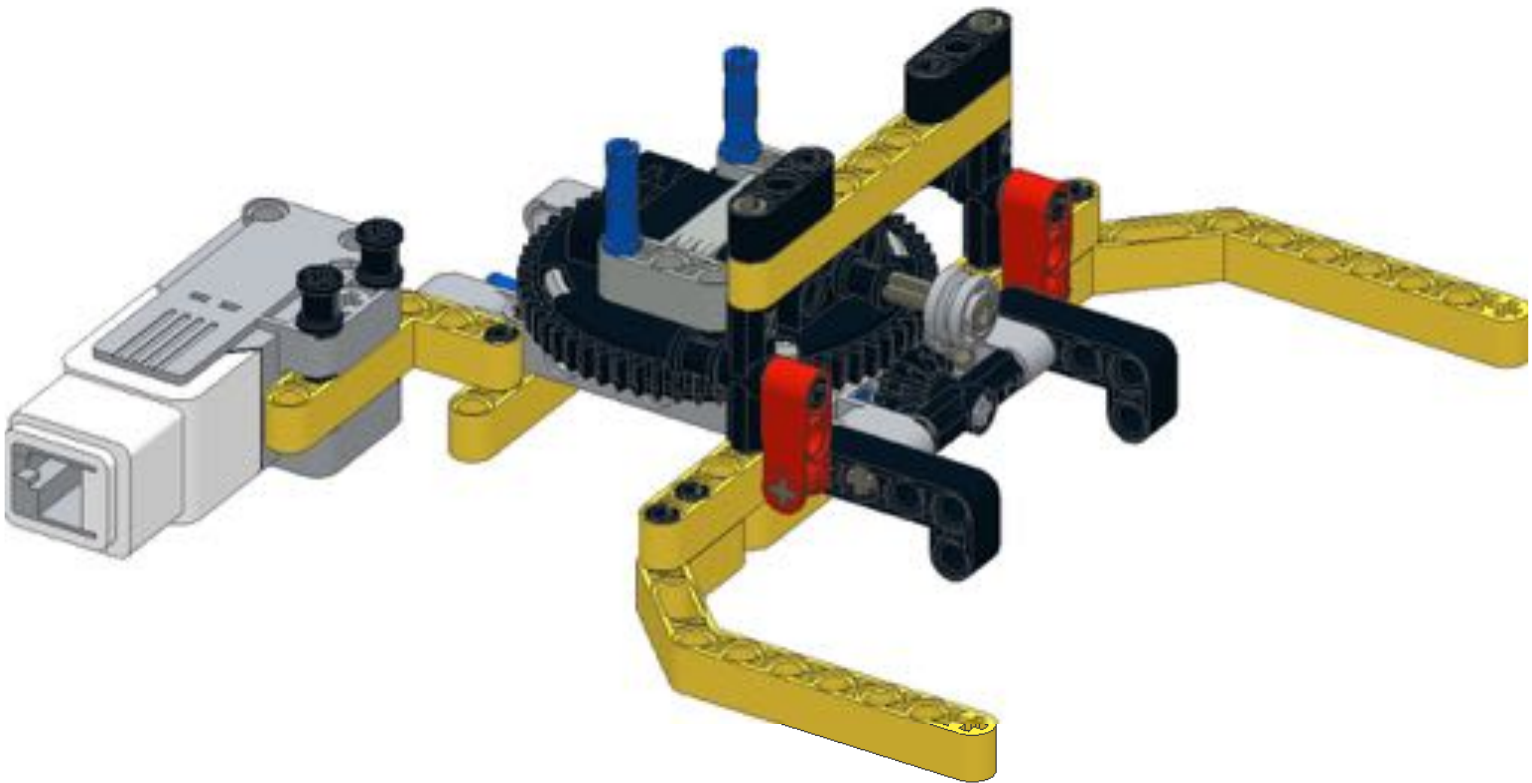
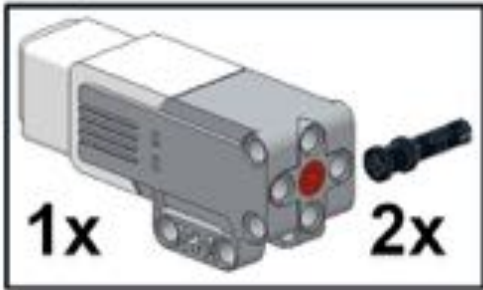


# 14



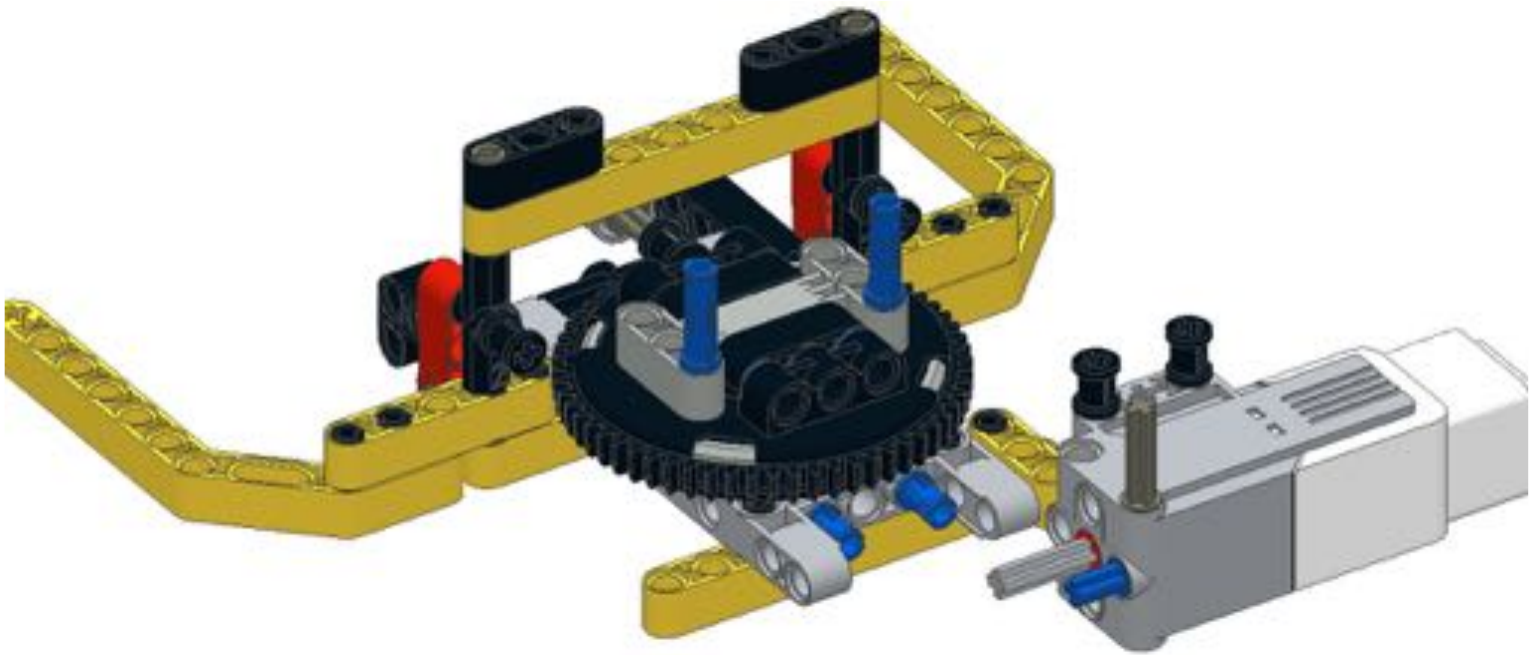


# 15

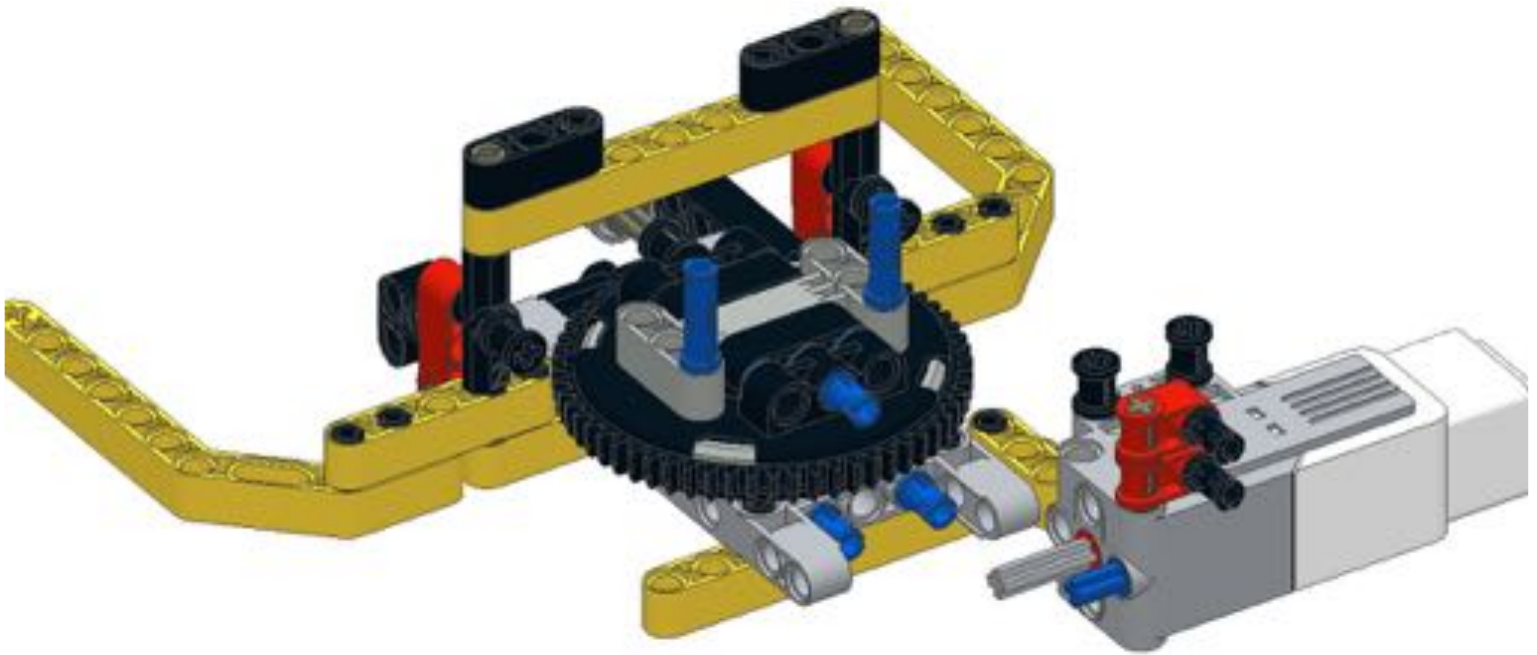


# 16

		
1x		3
		
1x		1x

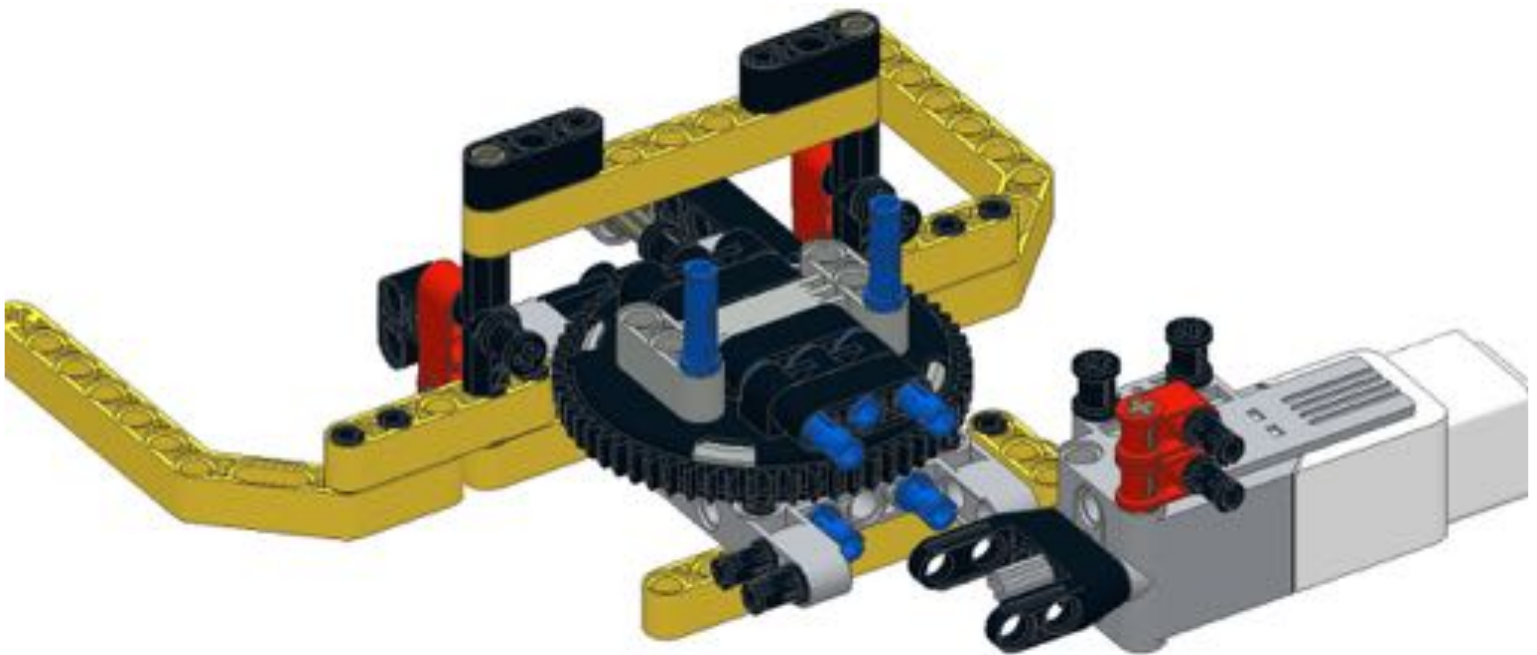


17

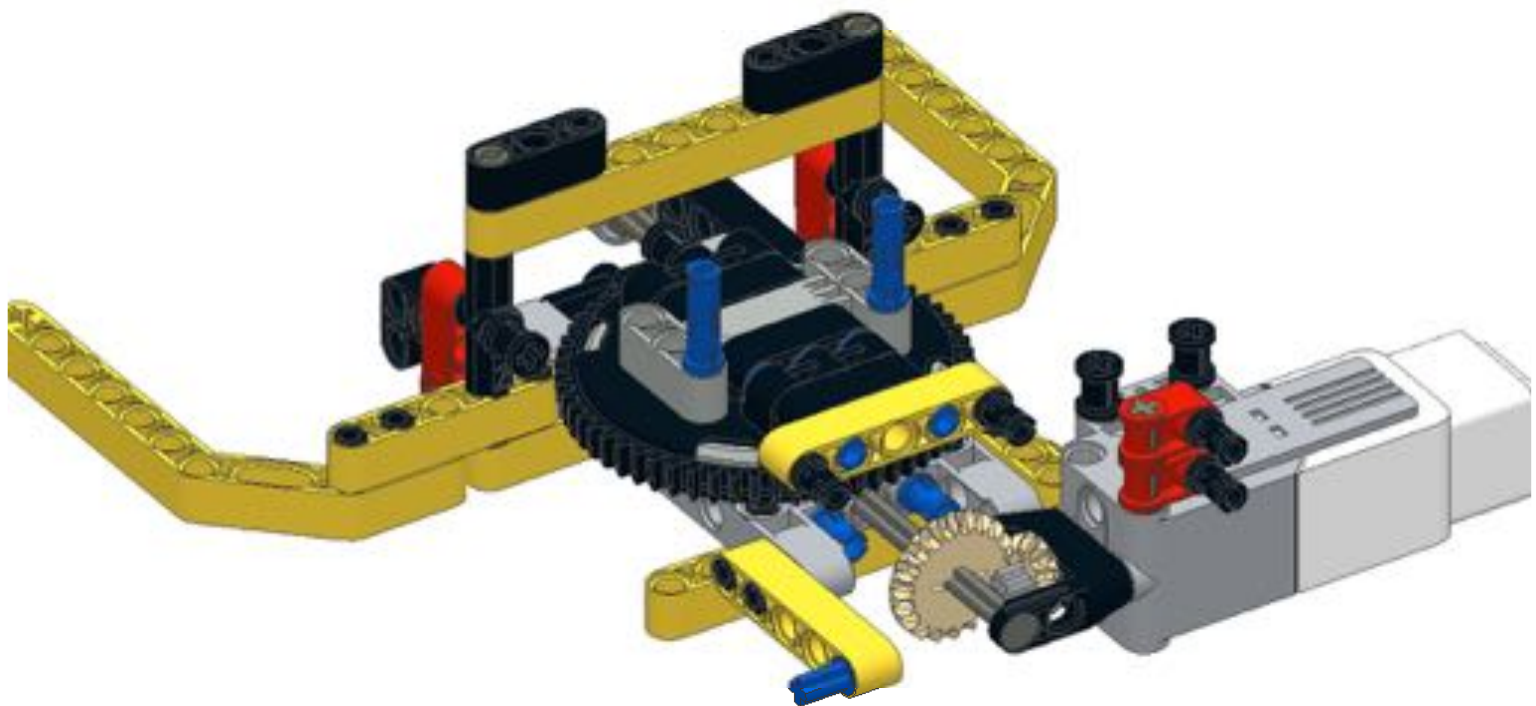
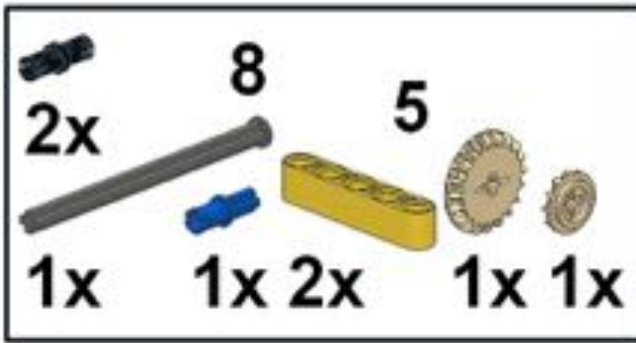


# 18

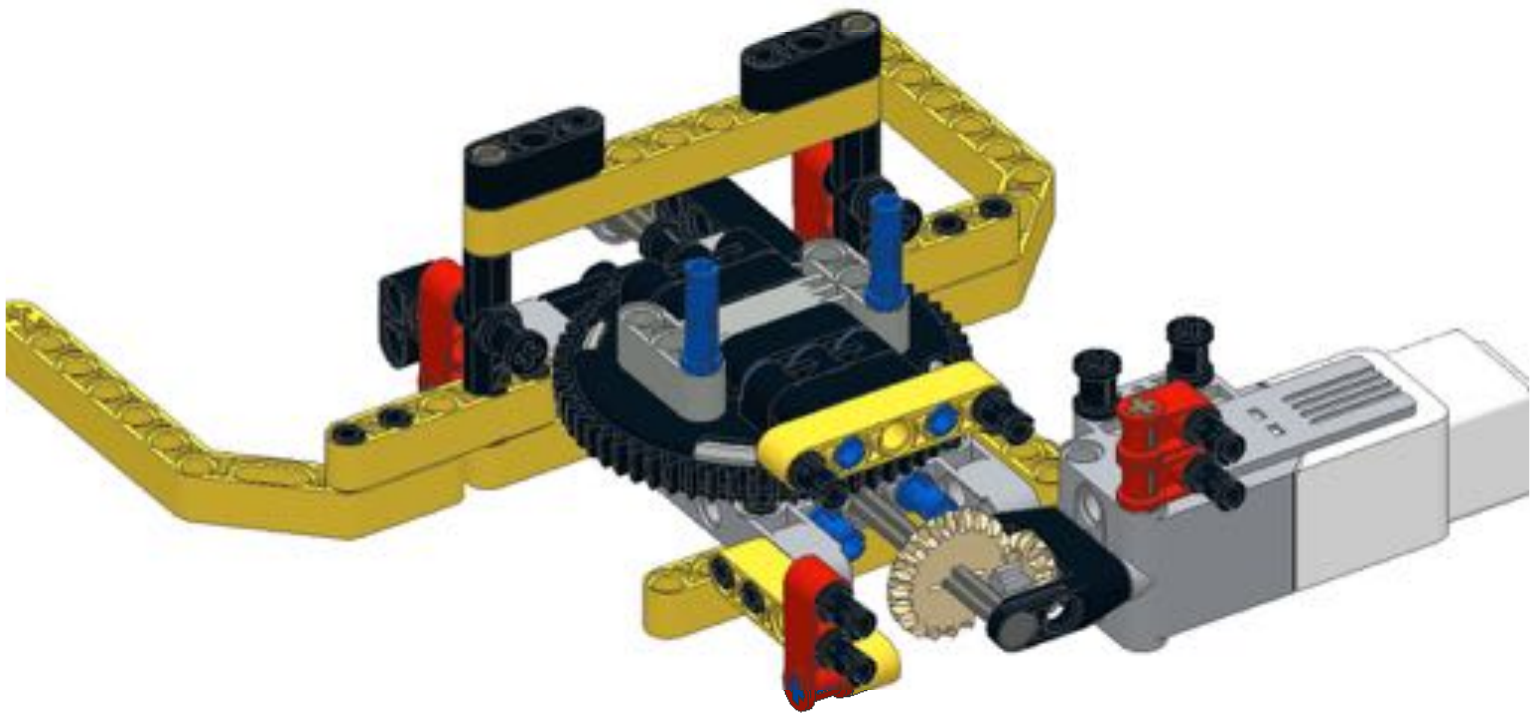
	
2x	2x
	
1x	3
	
1x	1x



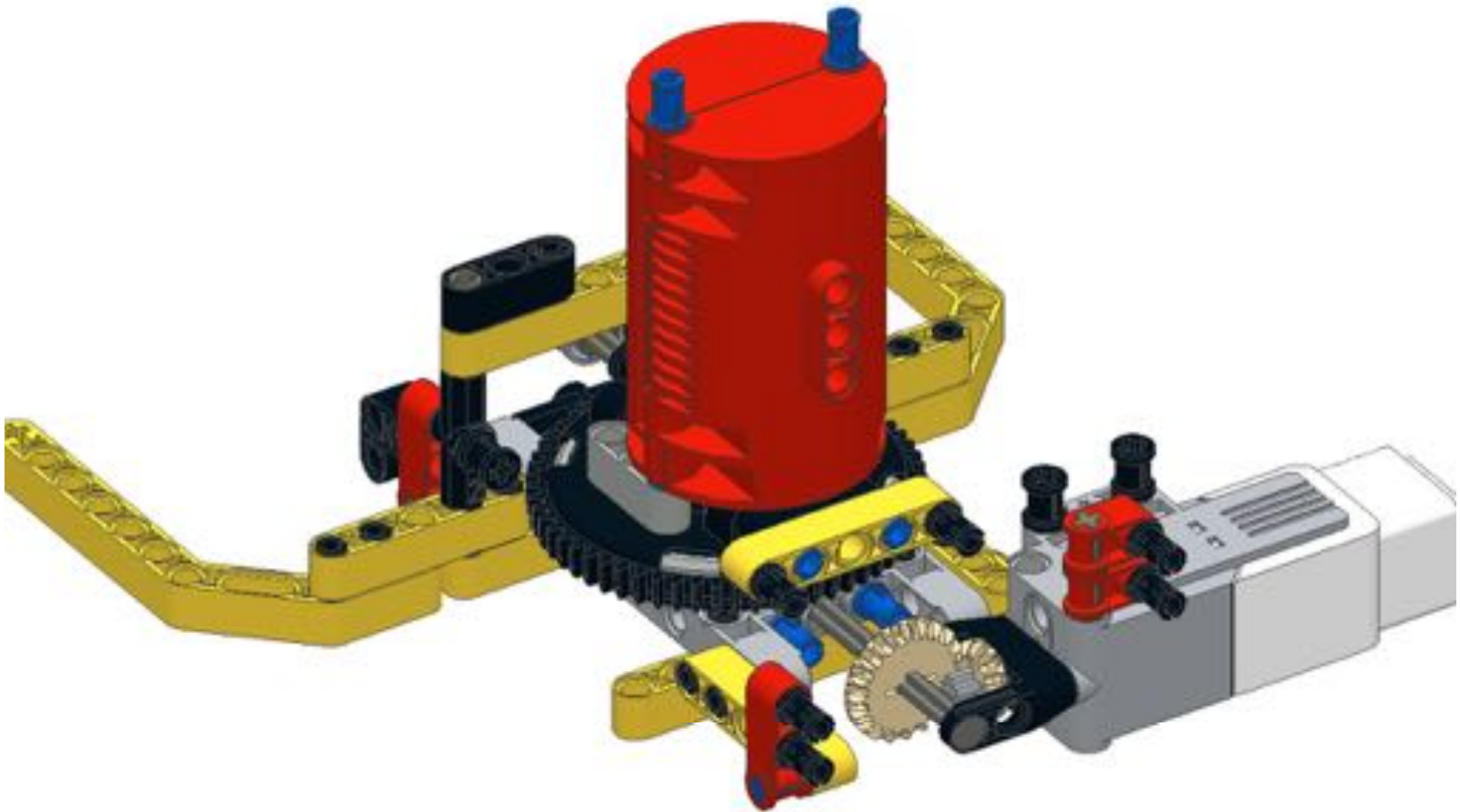
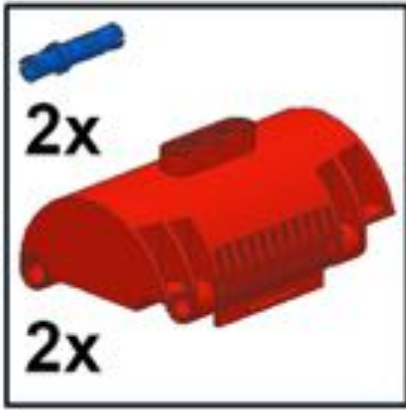
# 19



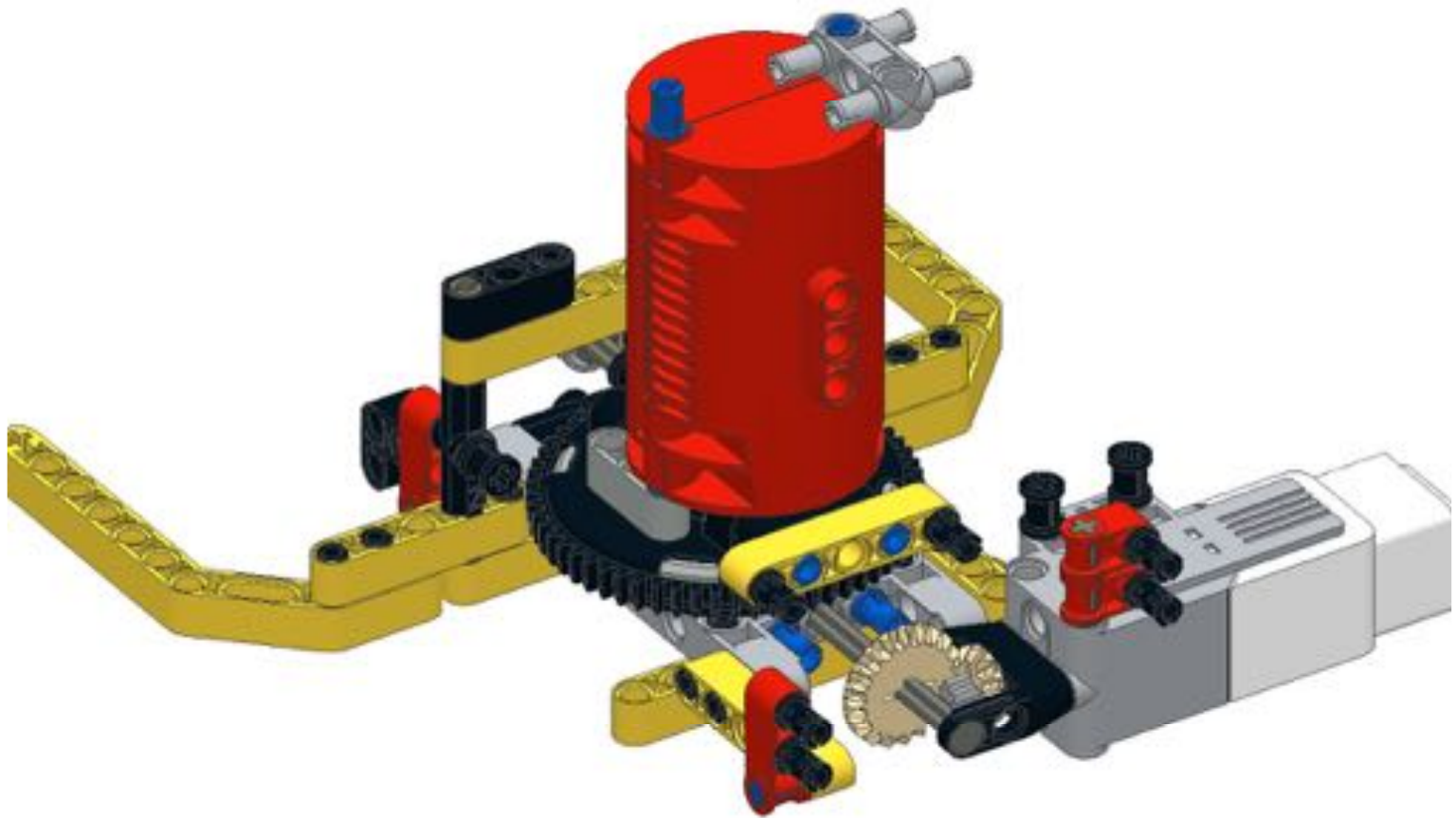
20



# 21

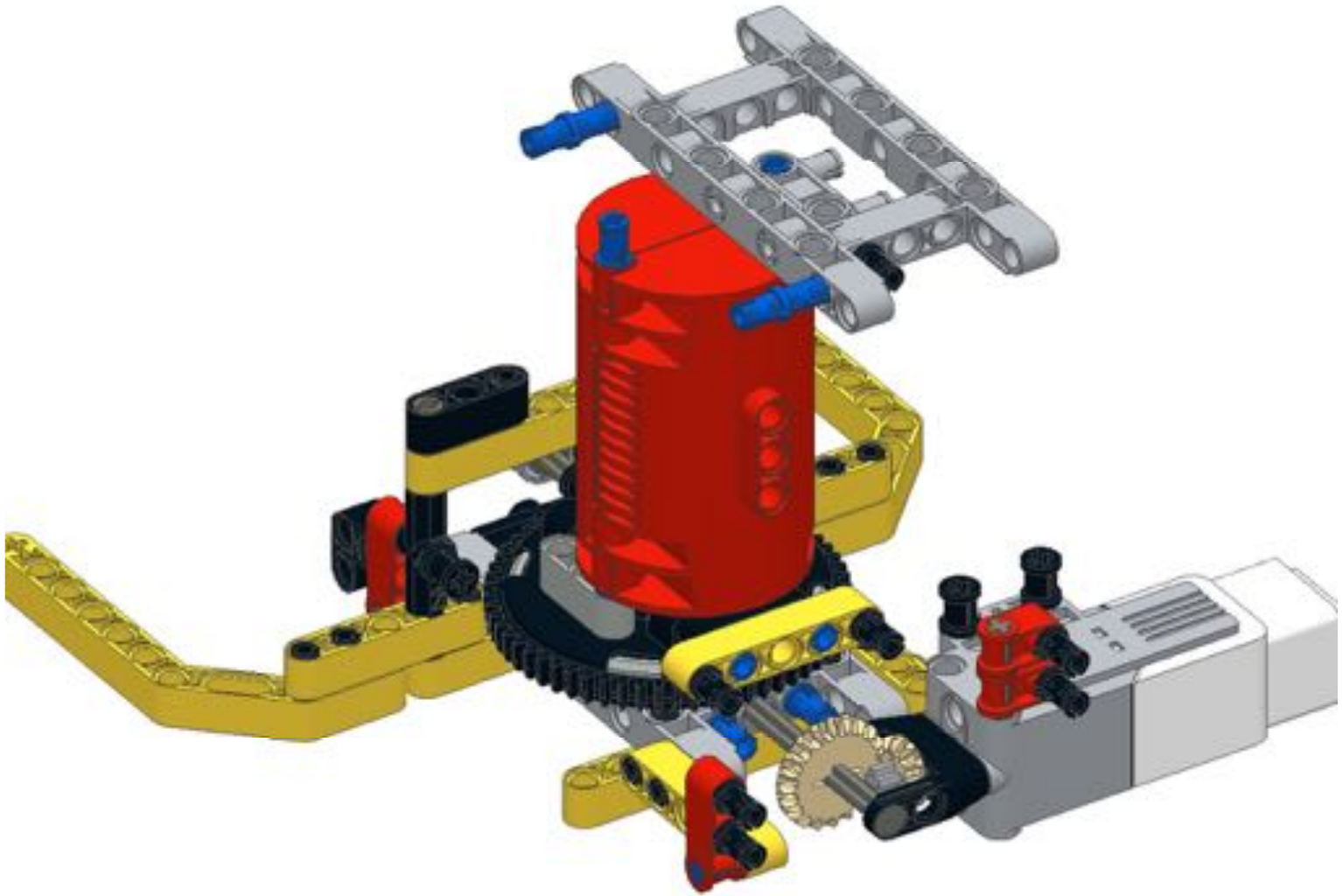
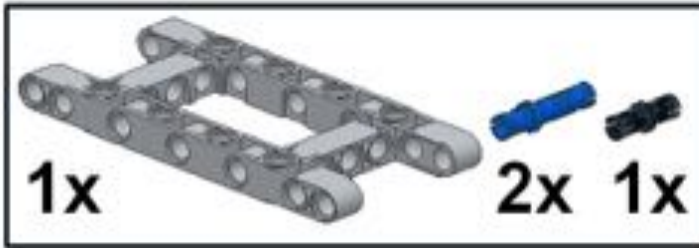


# 22

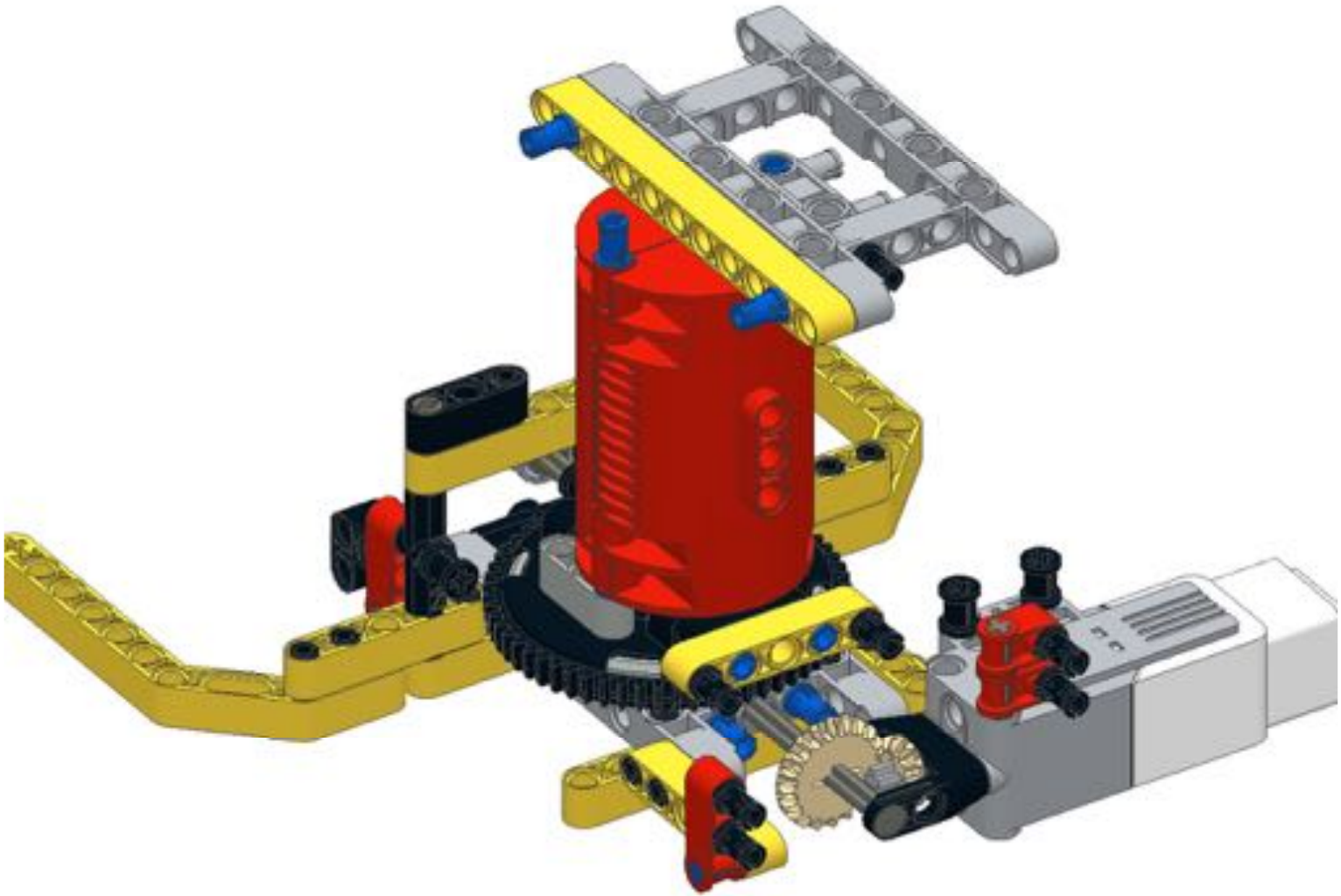
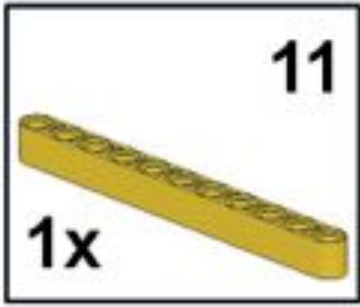




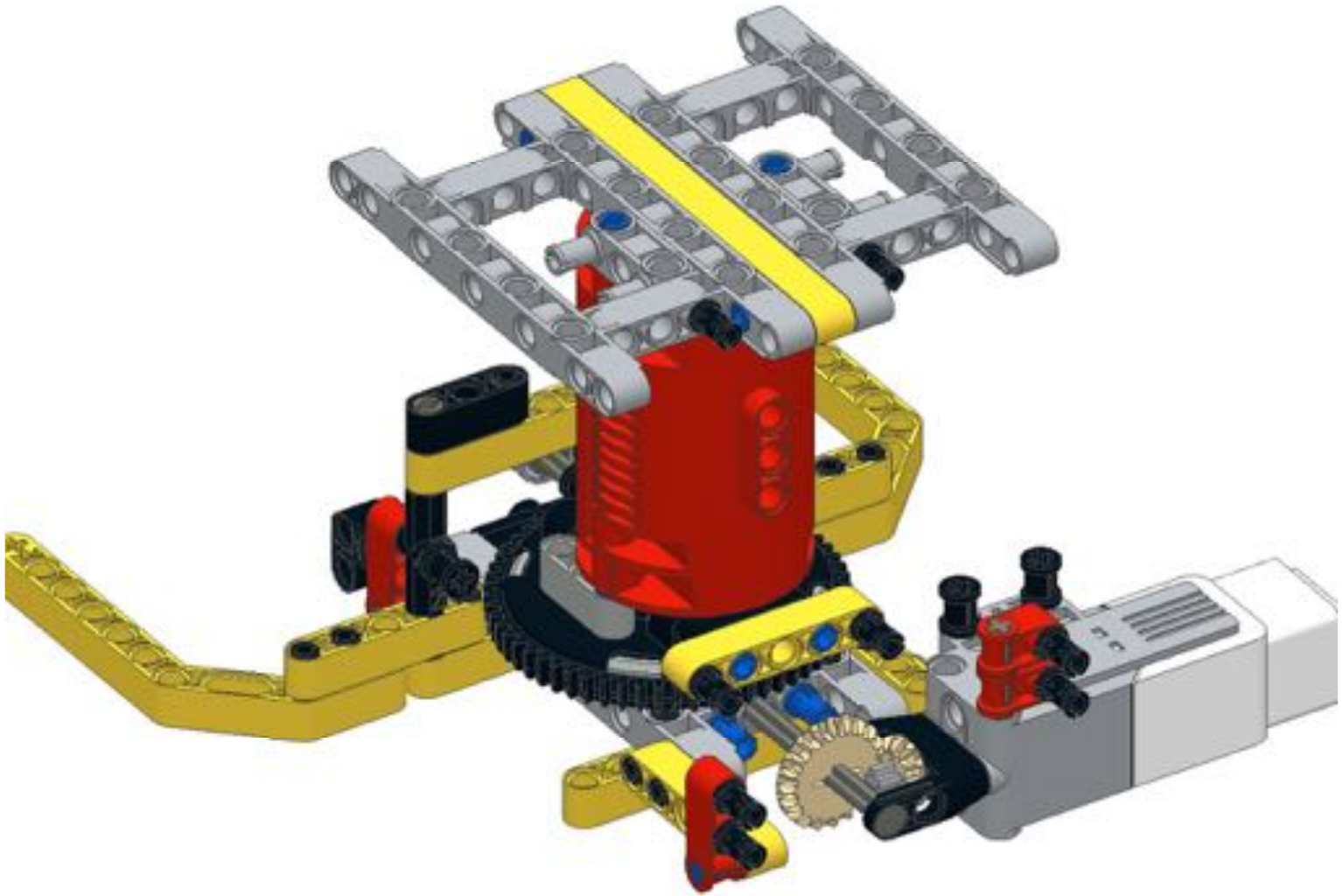
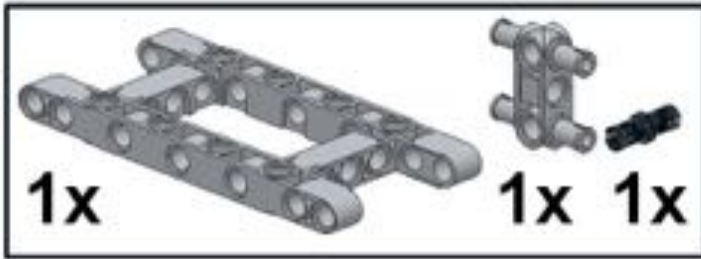
# 23



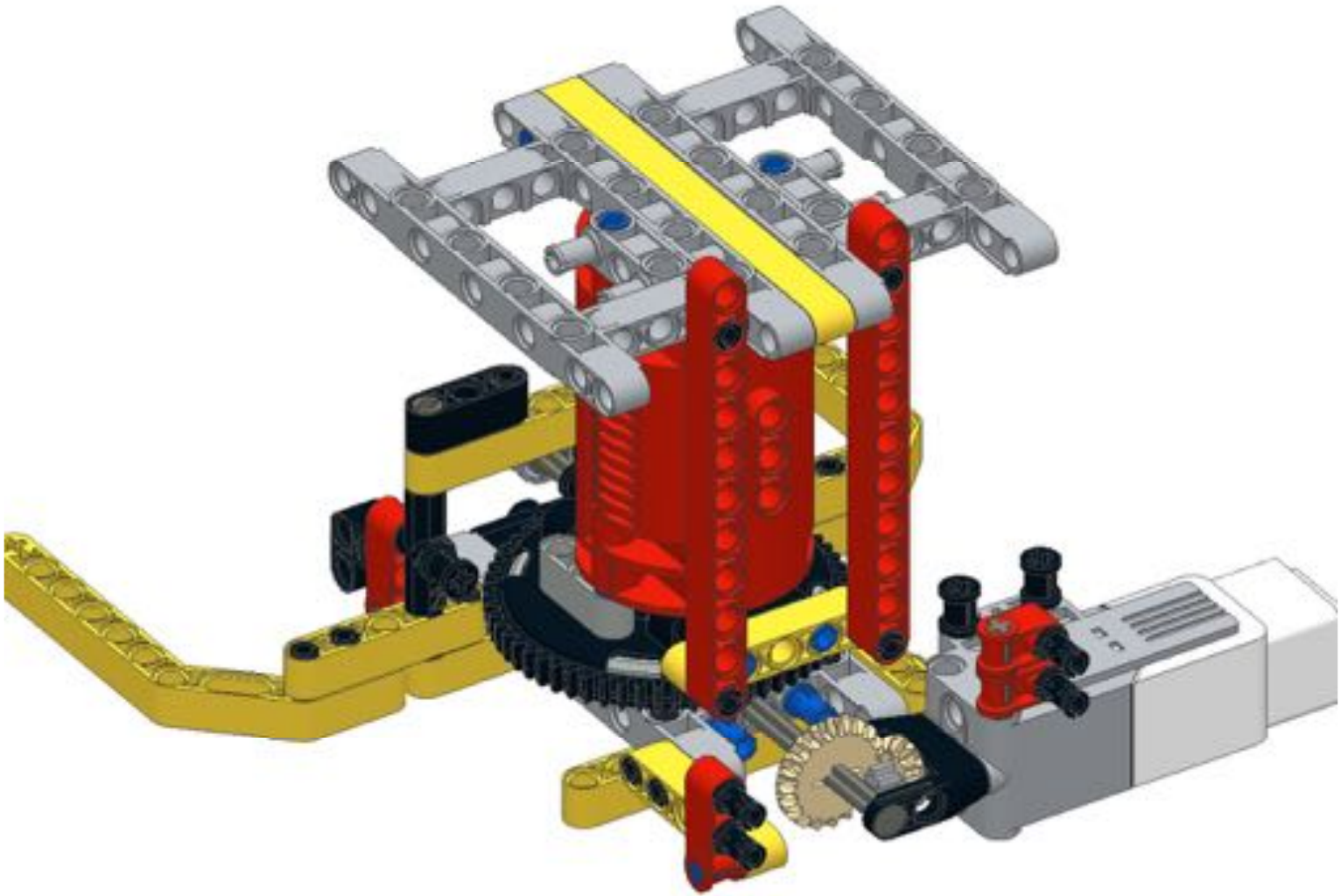
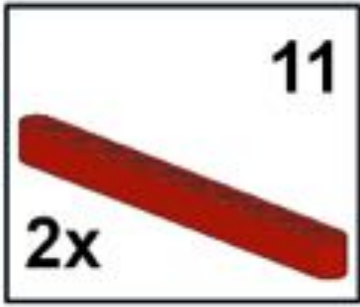
24



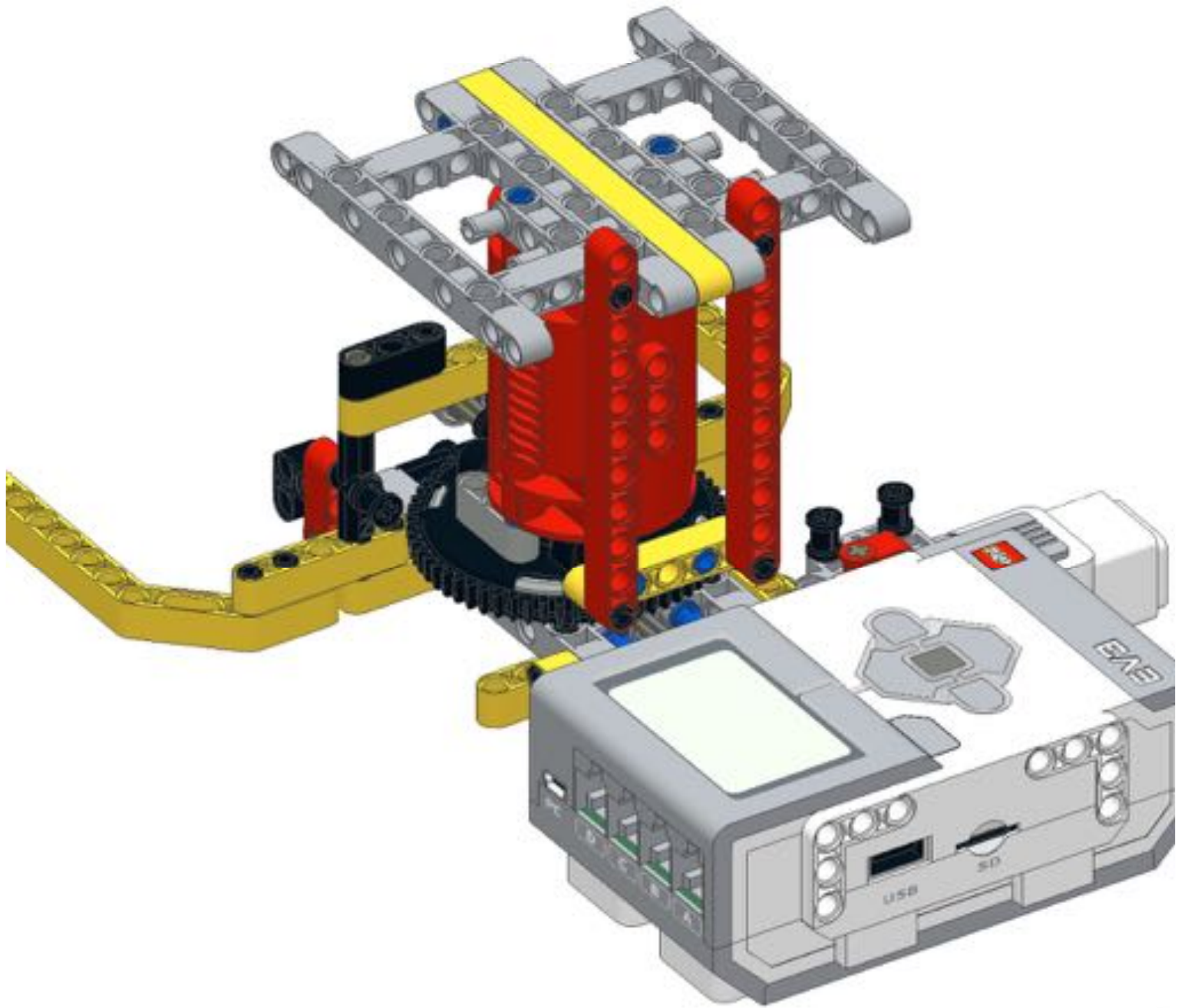
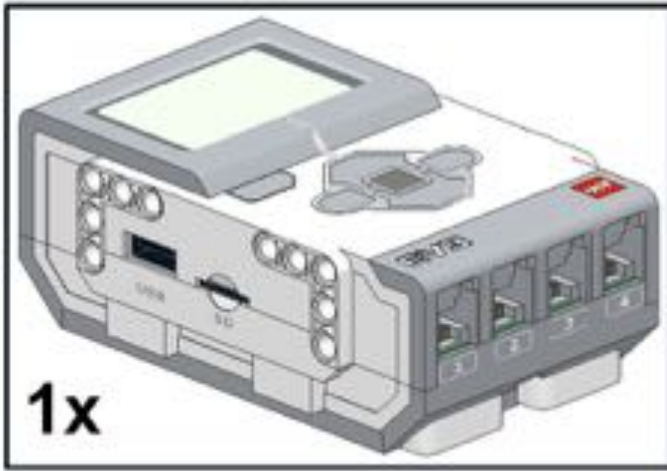
# 25



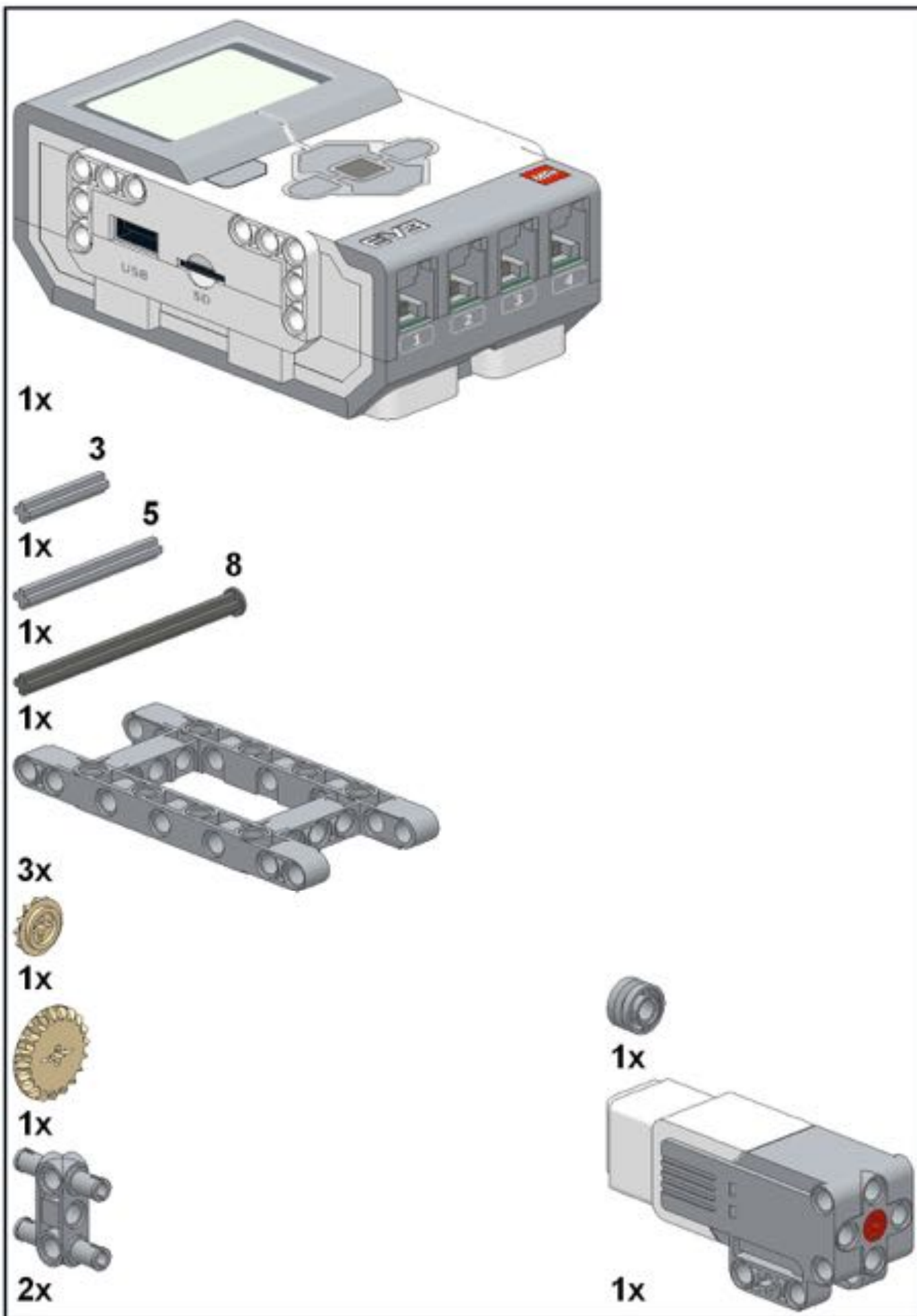
26

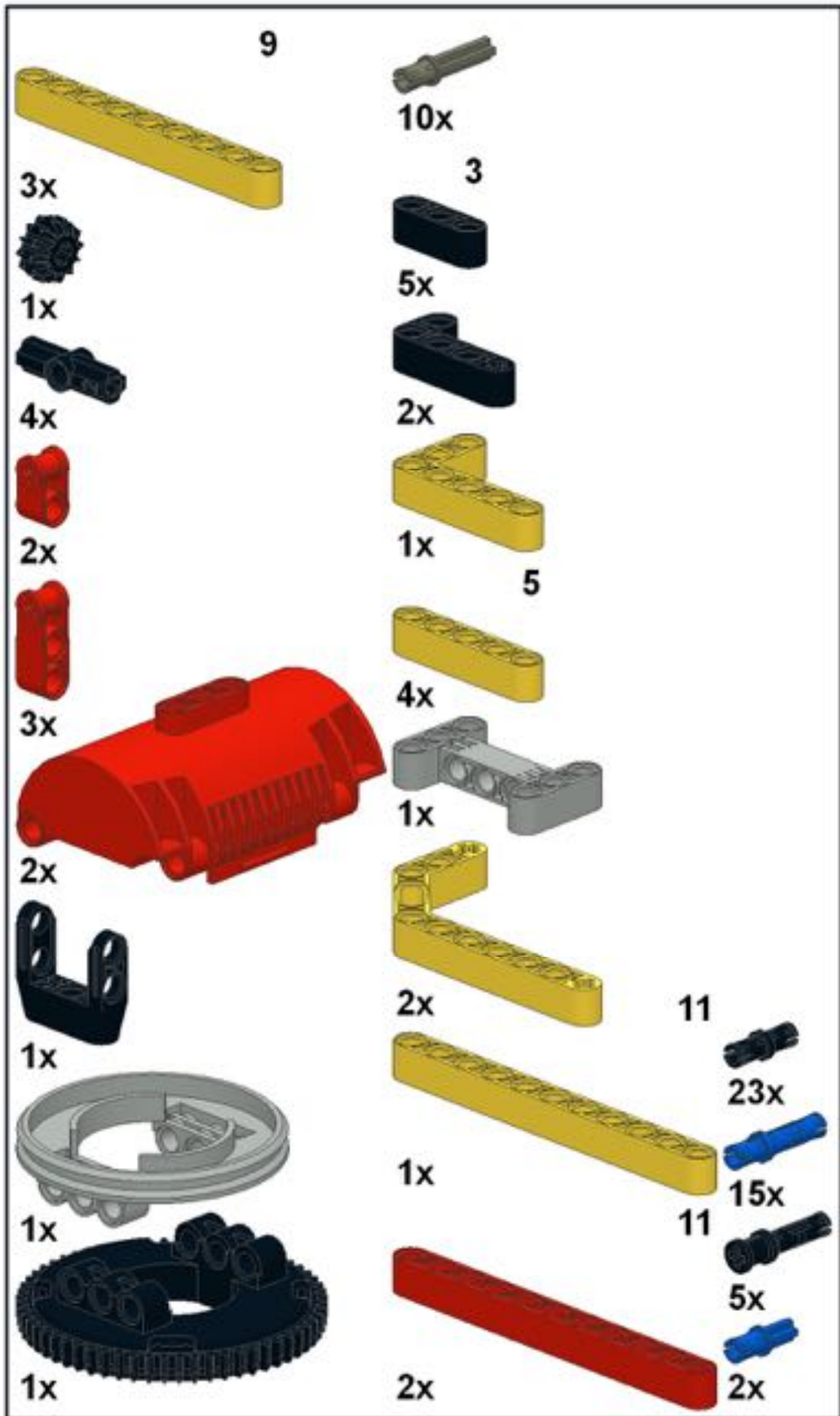


# 27



27





# Pt 2/3, top

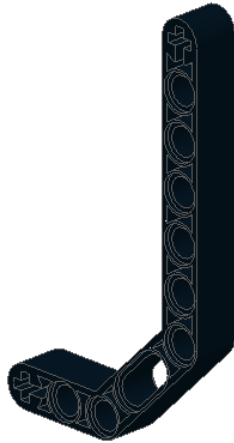
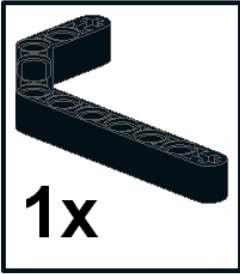
**MONK3Y HEAD**  
by: mike brandl

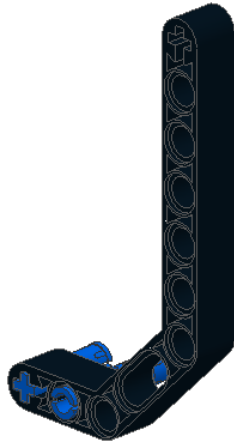
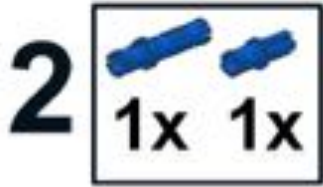
**ROBOTREMIX #2**

The MCP presents ROBOTREMIX2 [31313 + 42049] Community Challenge - June 2016. MONK3Y HEAD design by Michael Brandl, Building Instructions by Michael Brandl. This work is licensed under a Creative Commons Attribution-NonCommercial 4.0 International License. June 2016

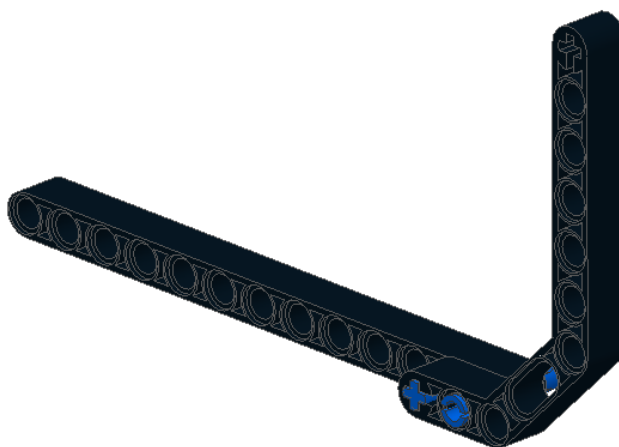
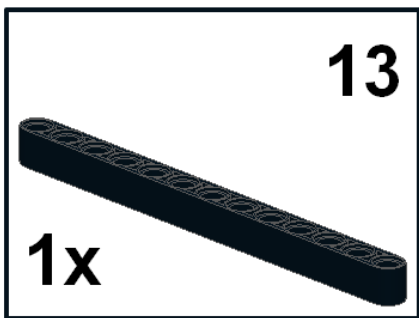


1





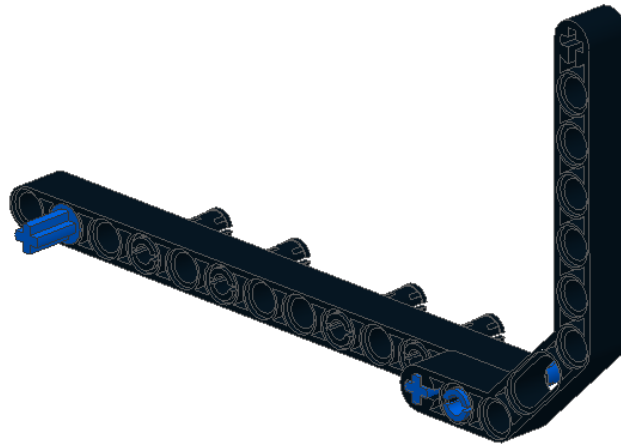


3

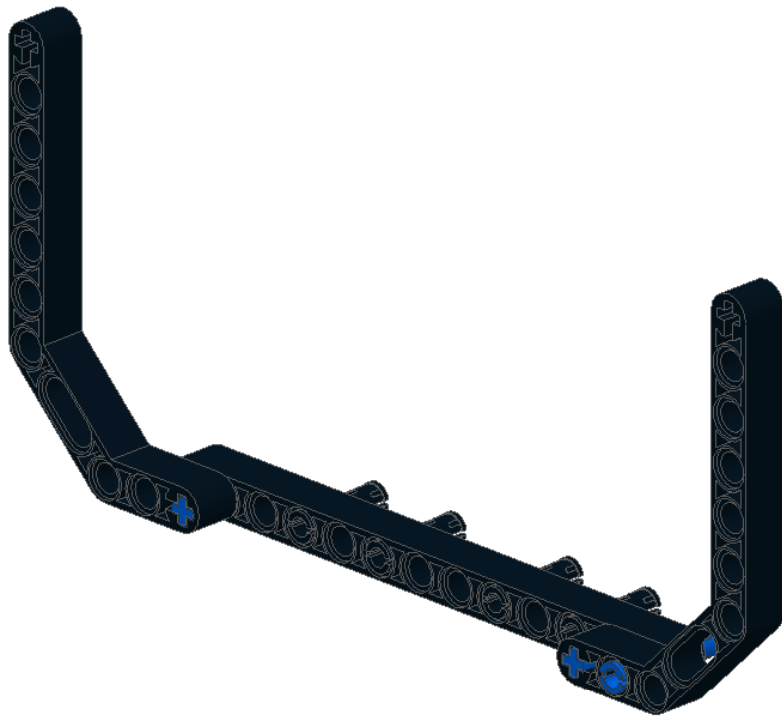
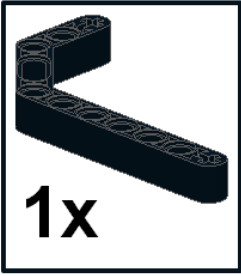


4

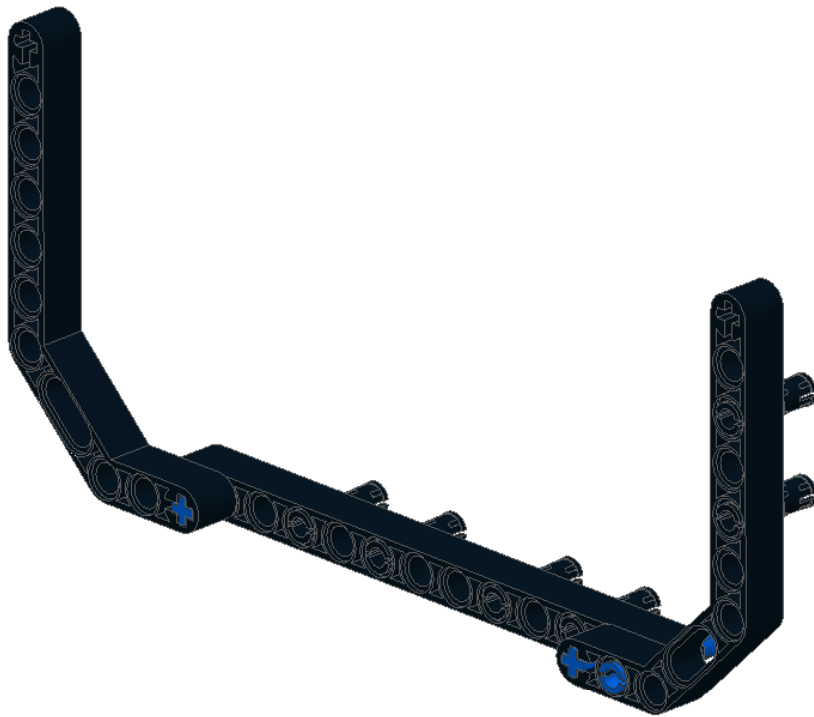
	
1x	4x



5



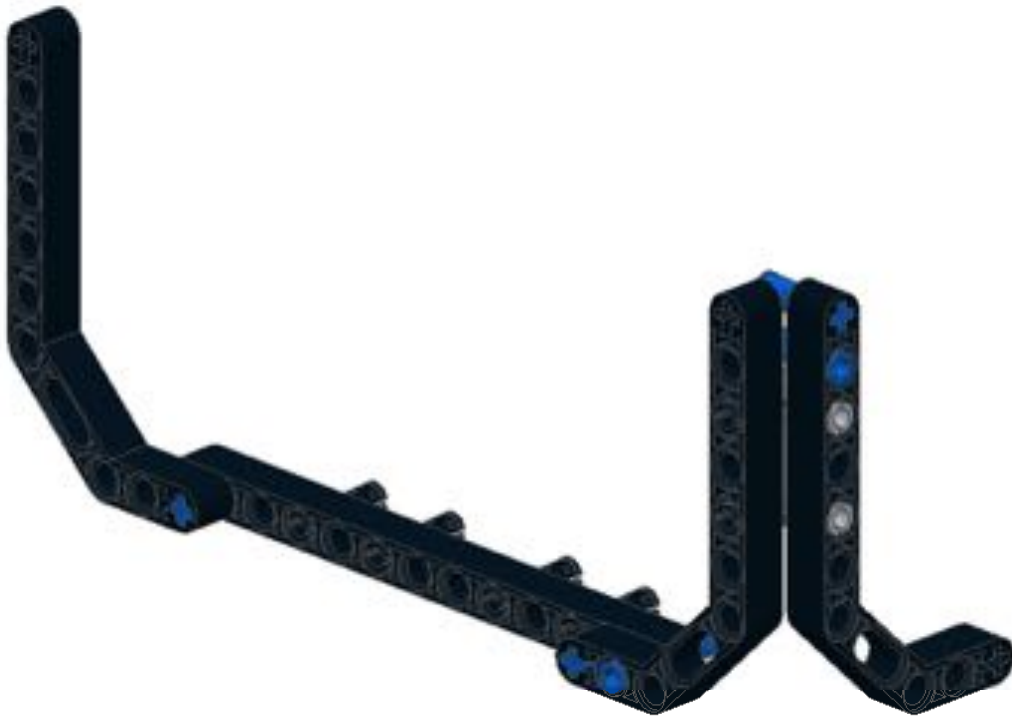
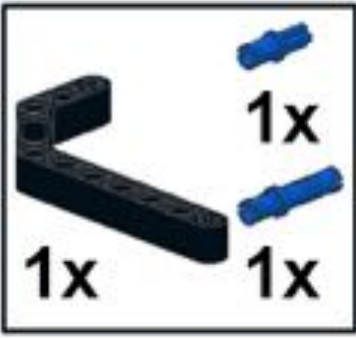
6



7

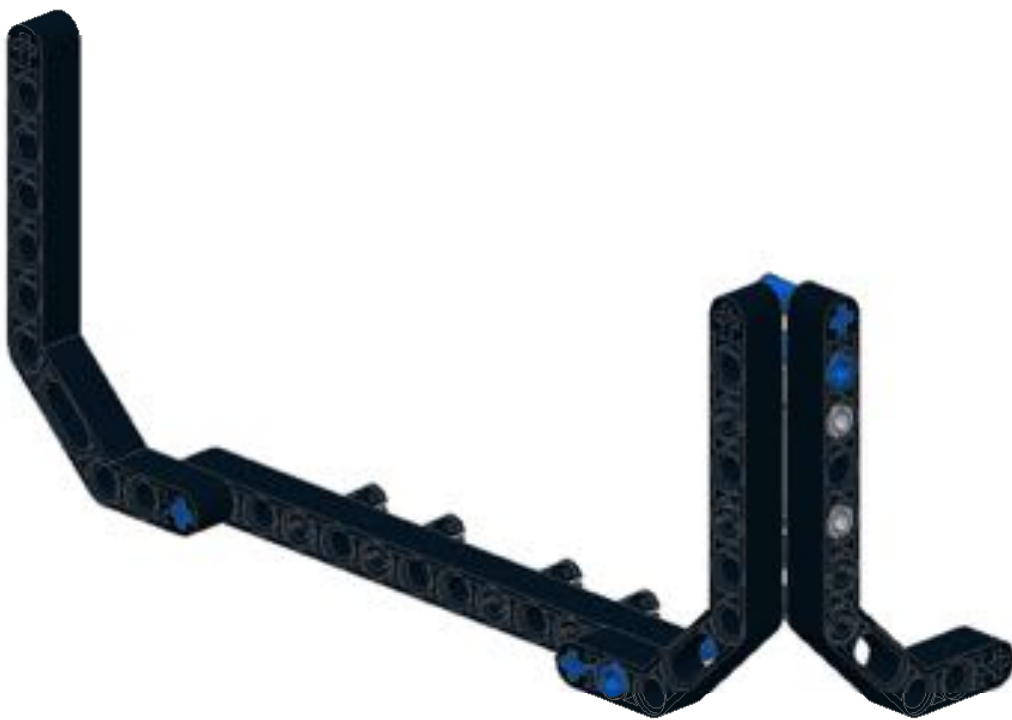


8

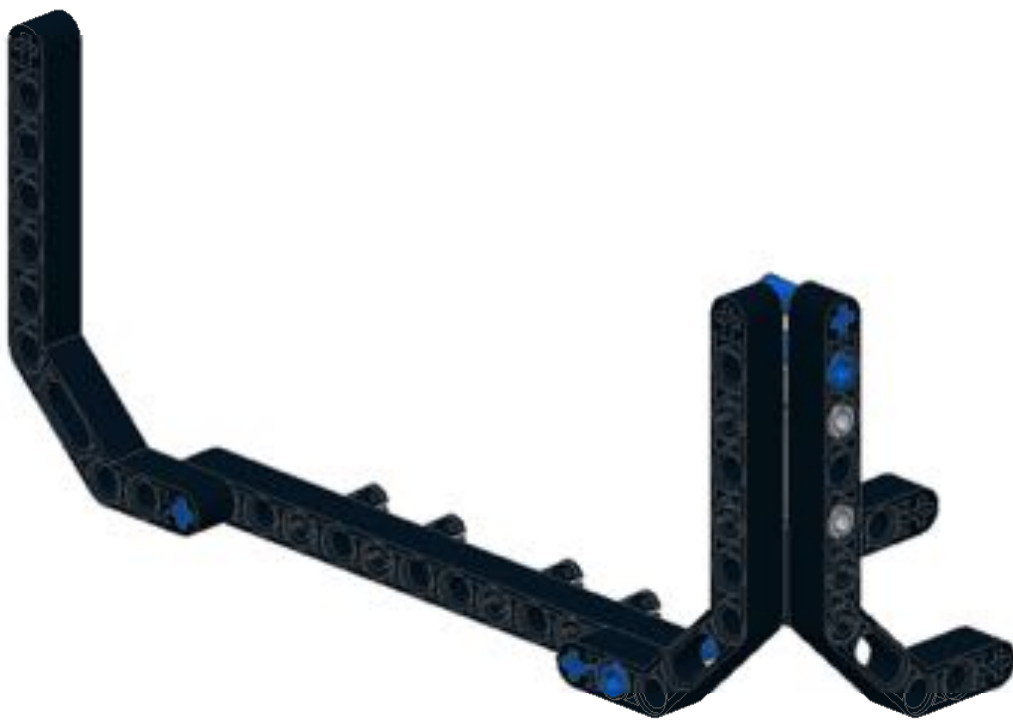




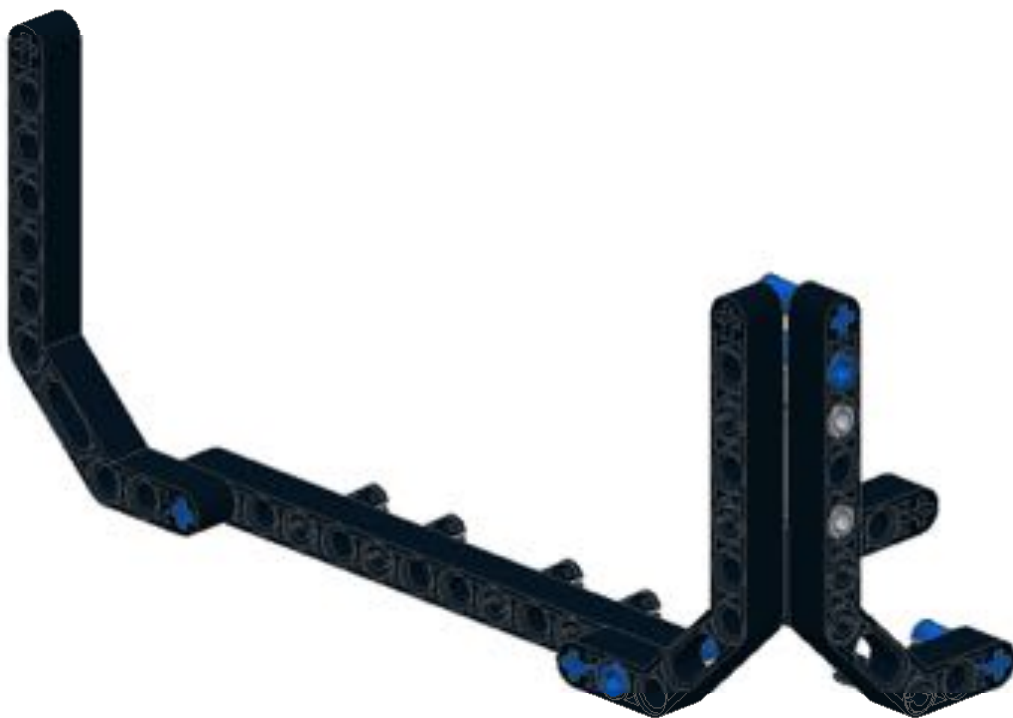
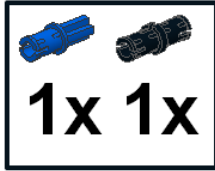
9



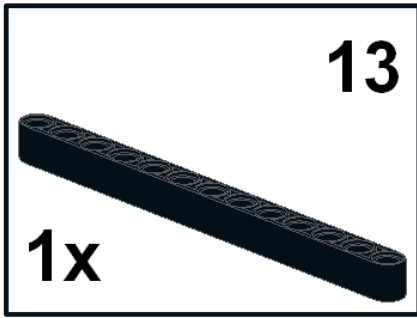
10



# 11



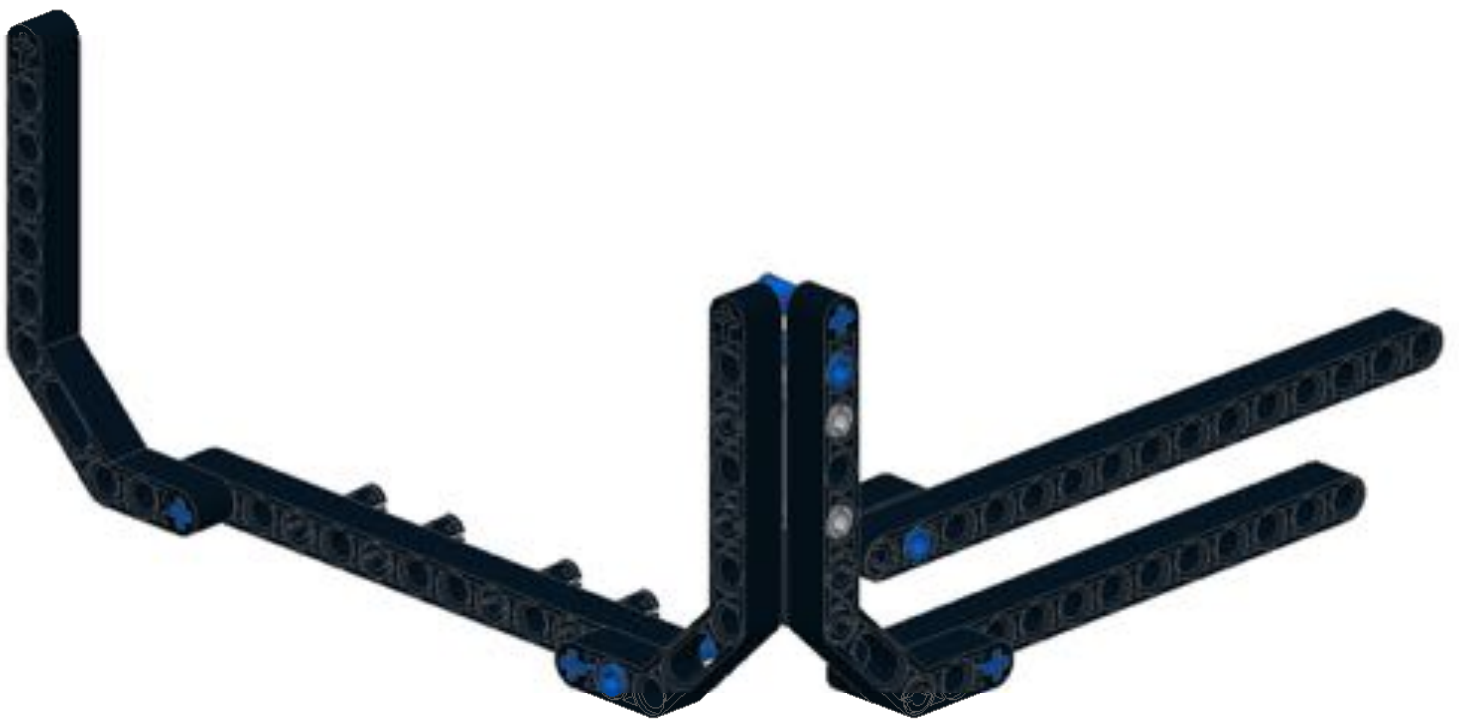
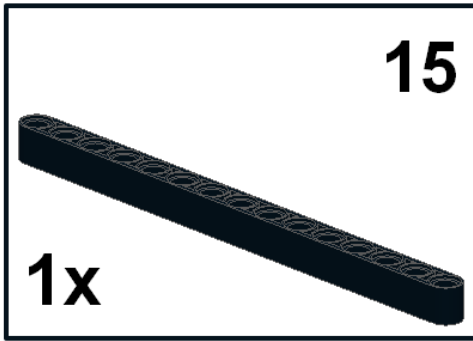
12



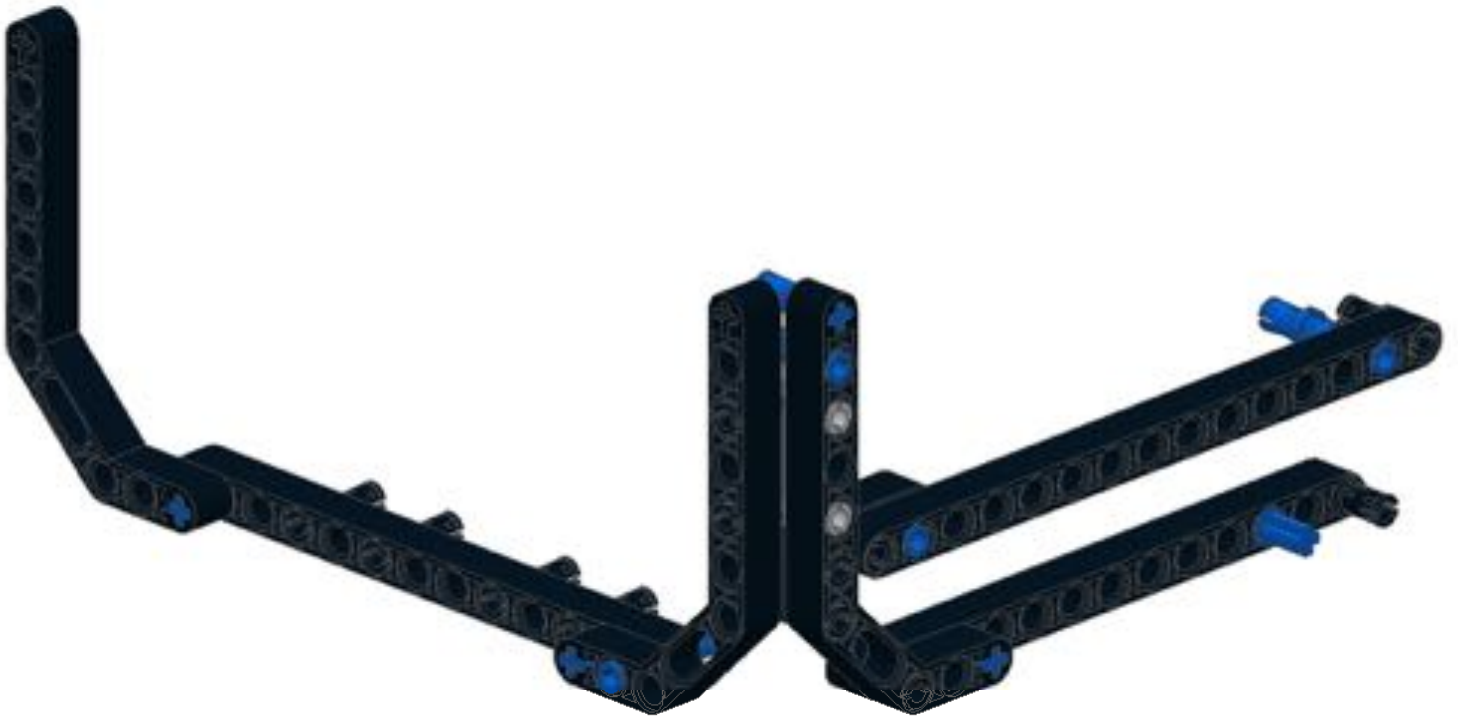
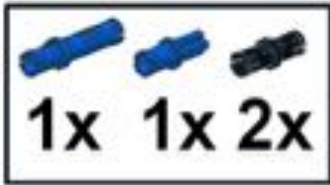
13



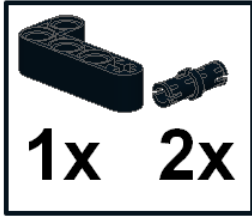
14



15

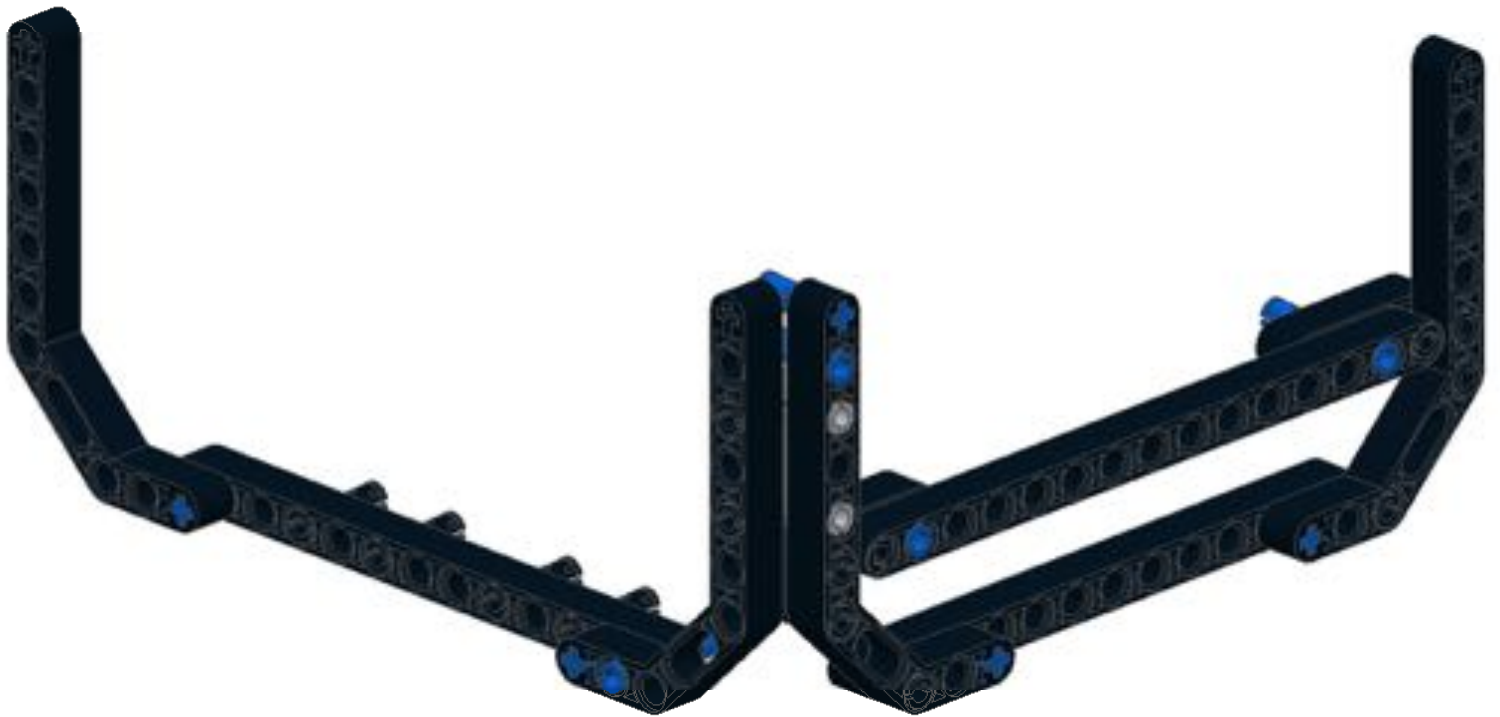
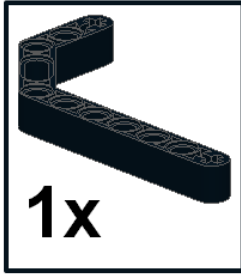


# 16

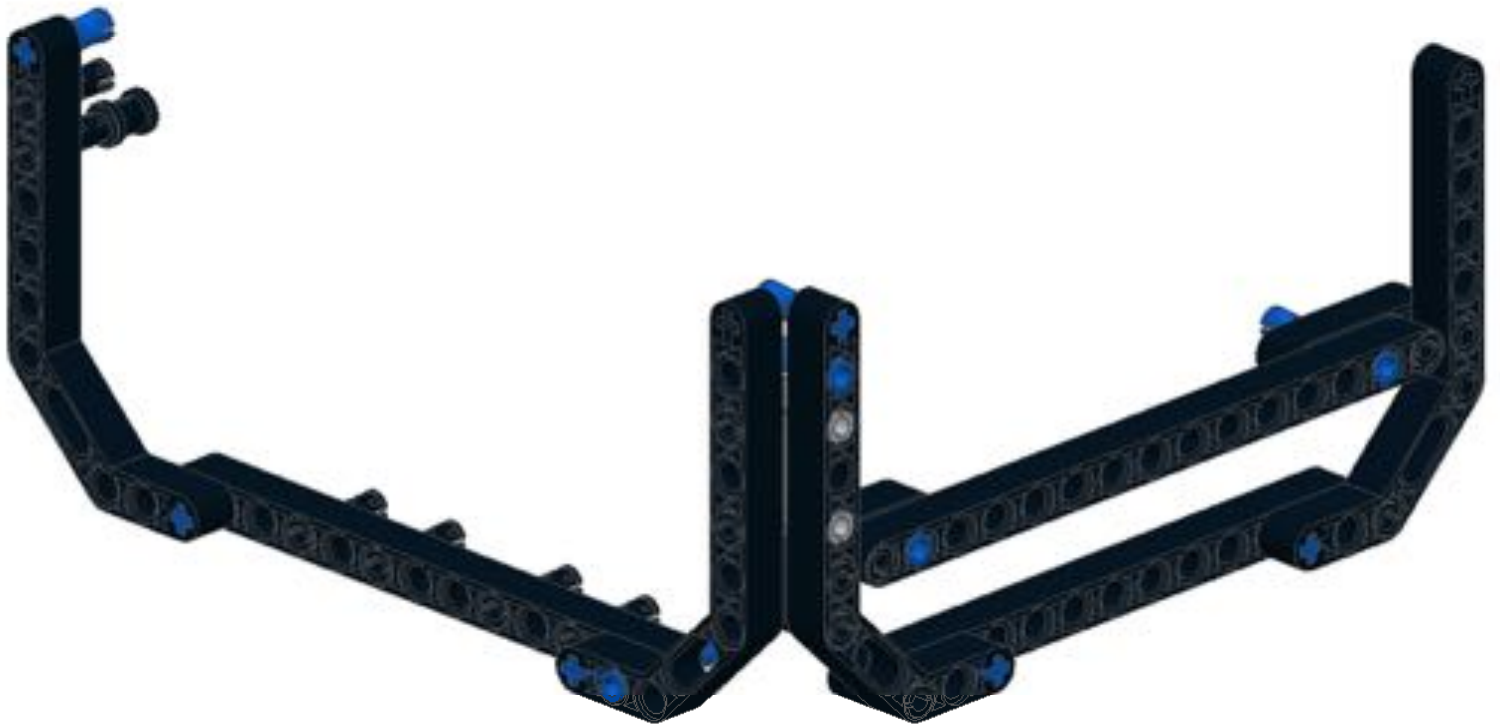




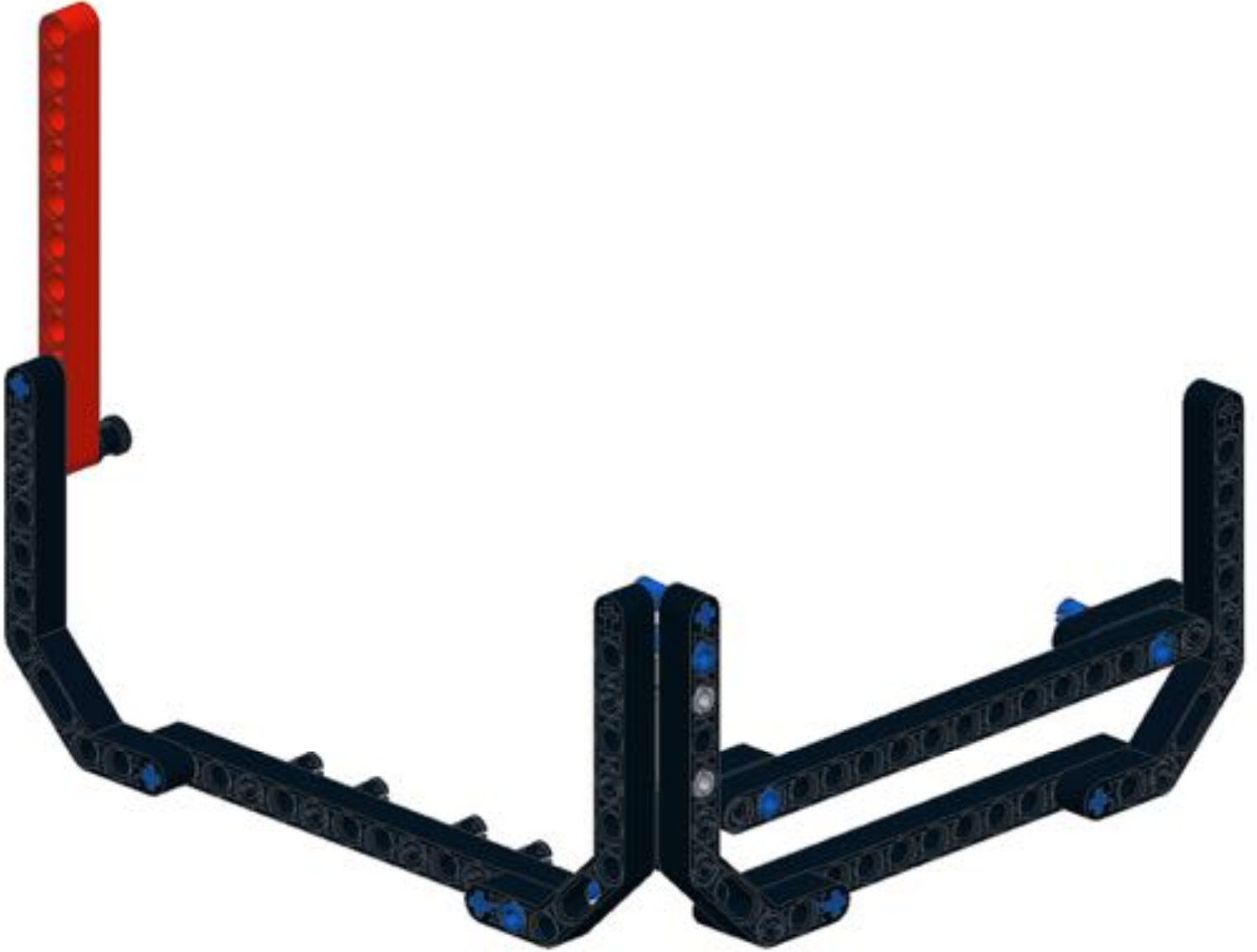
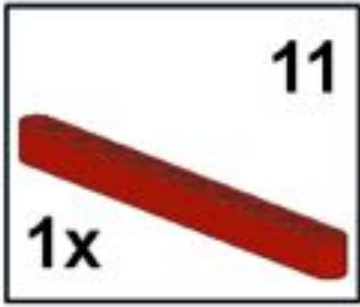
17



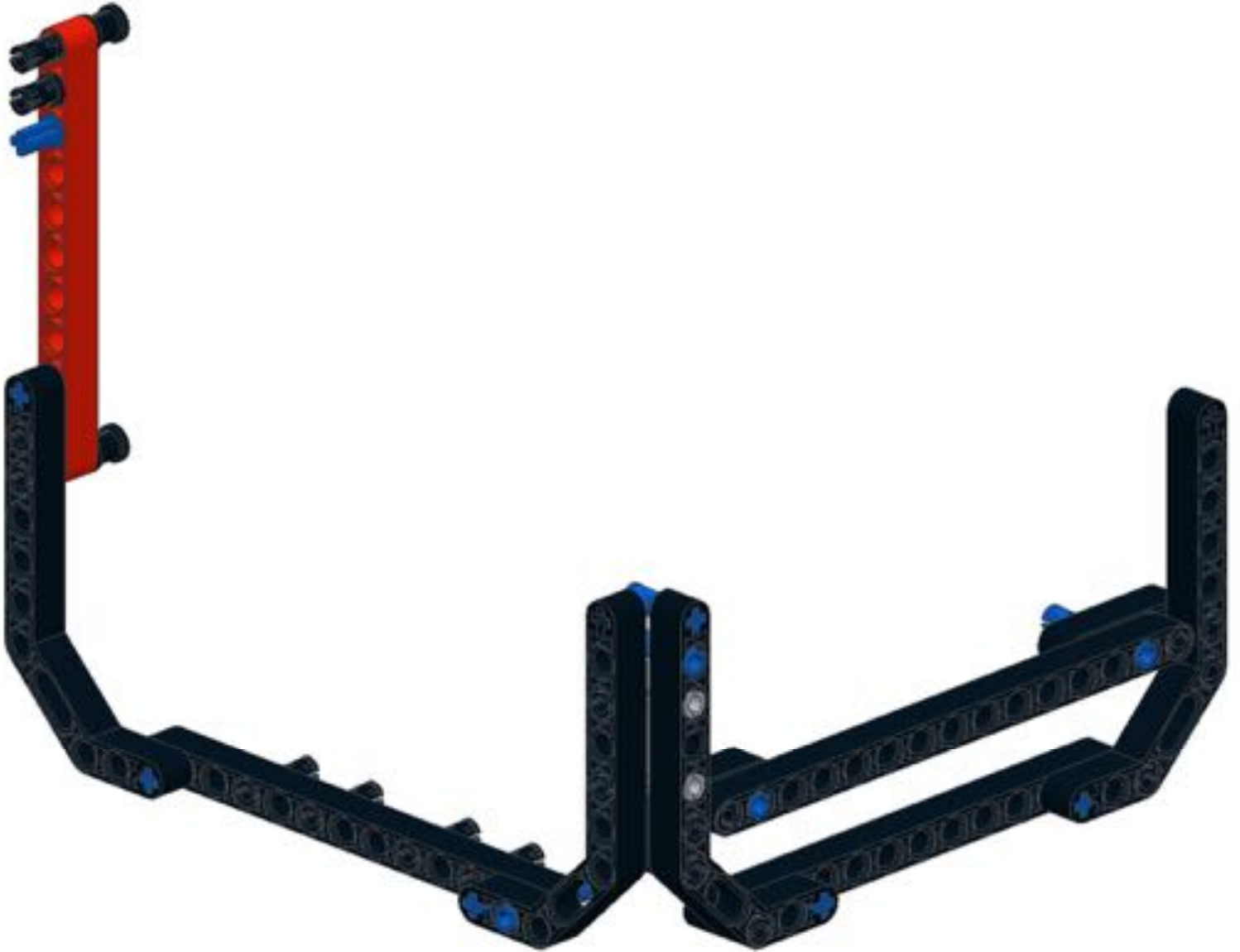
# 18



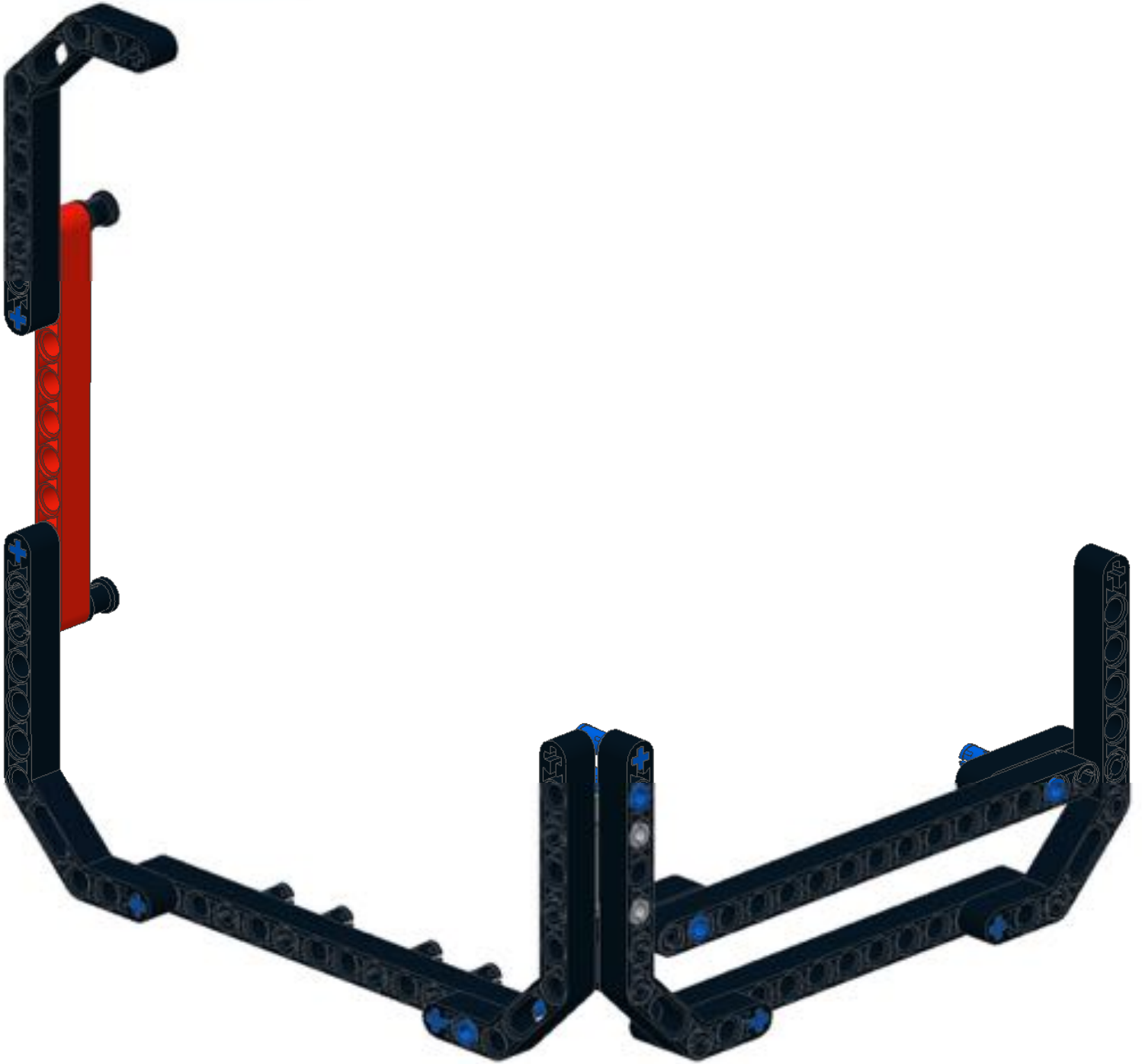
19



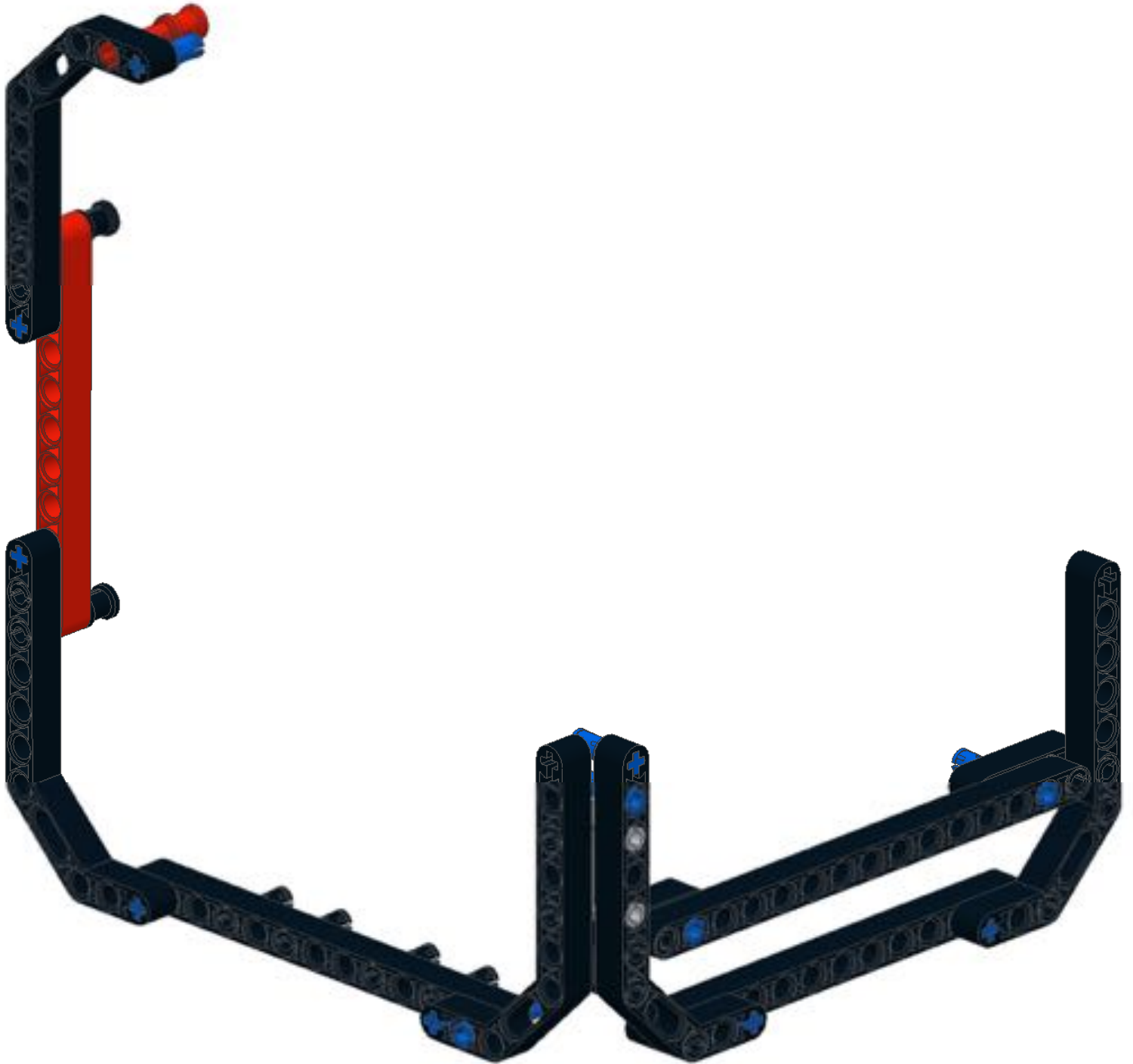
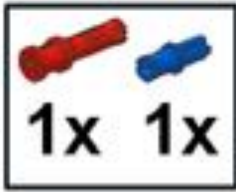
20



21



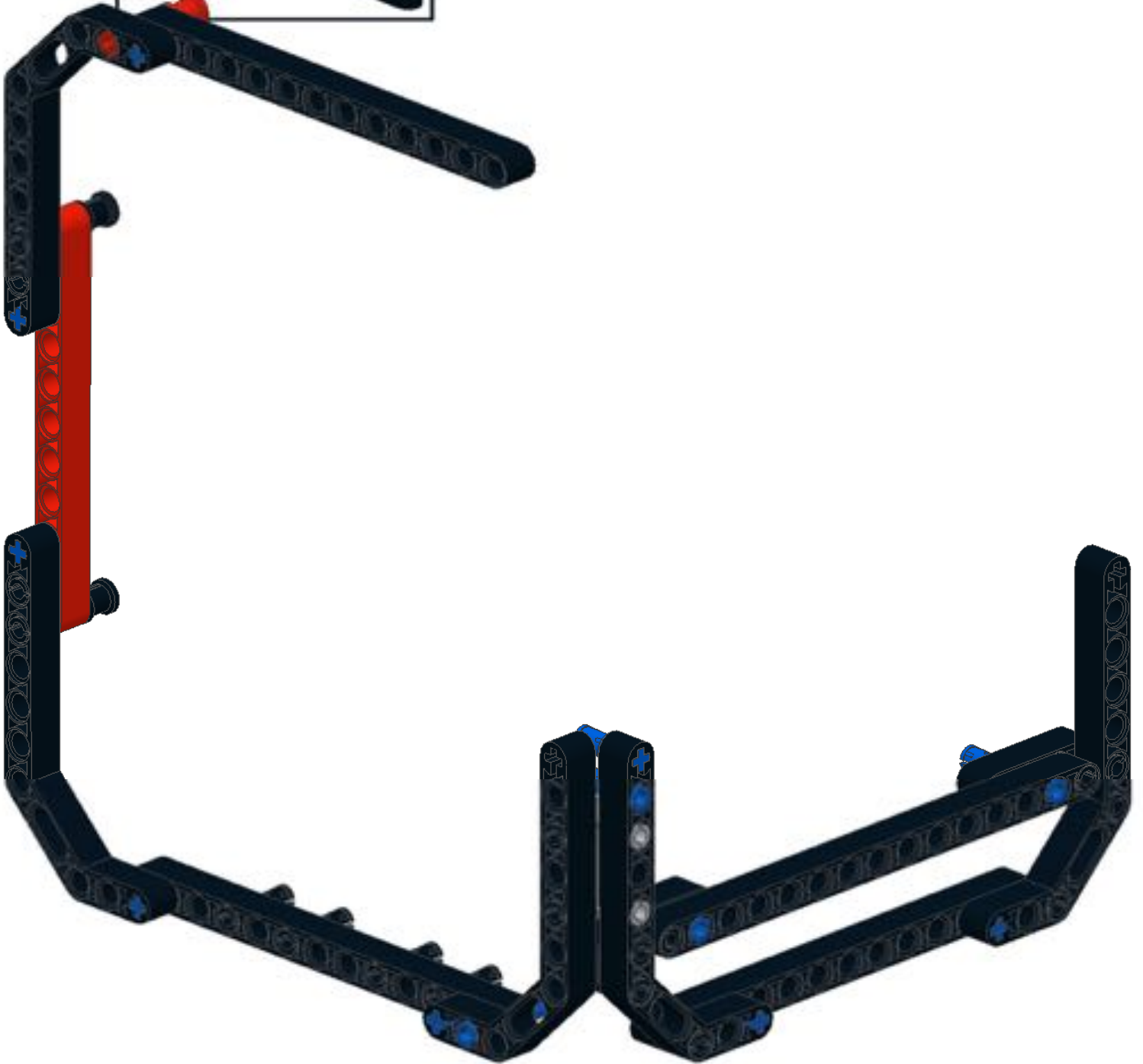
# 22



23

13

1x



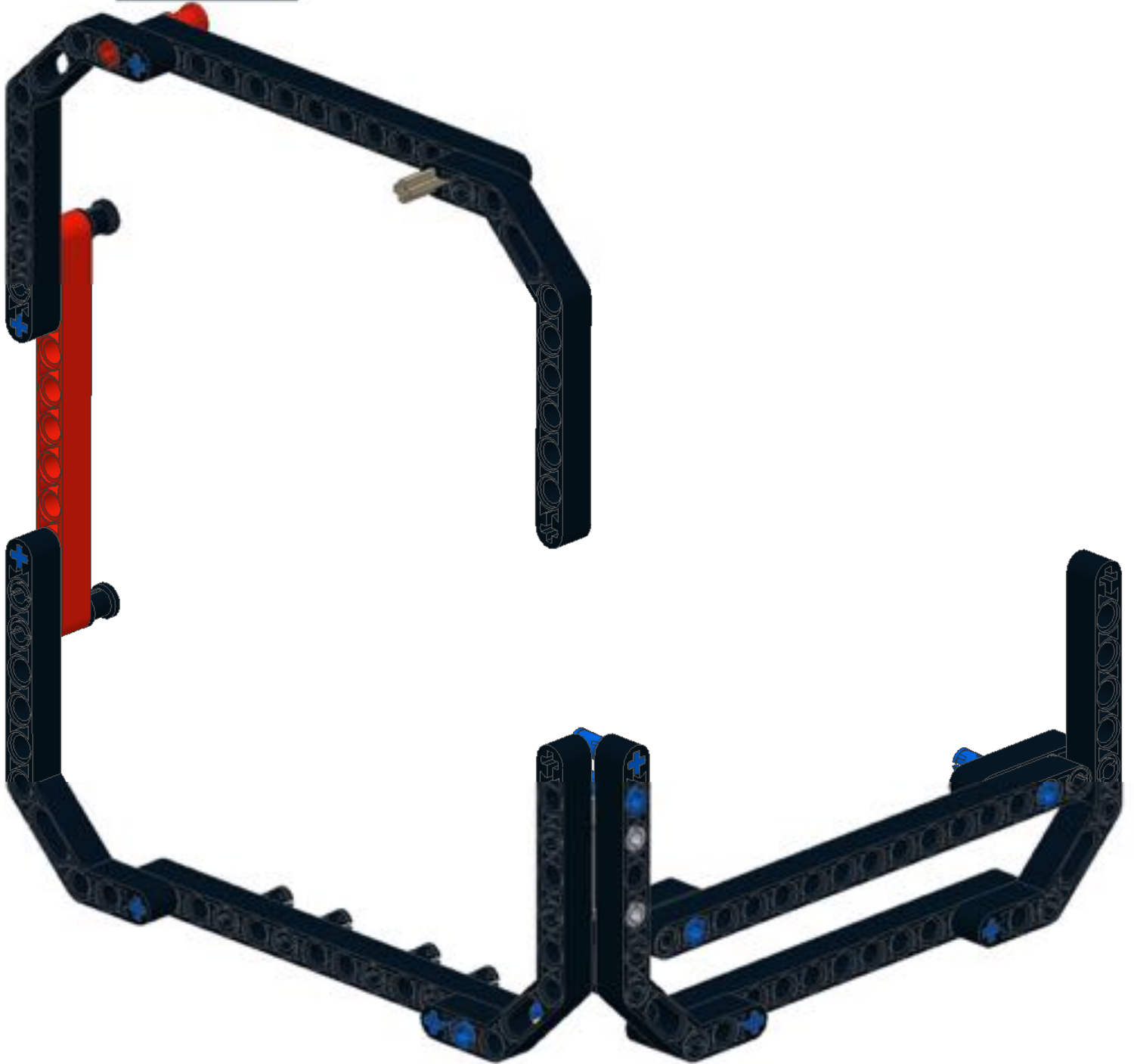
24

3  
1x 1x

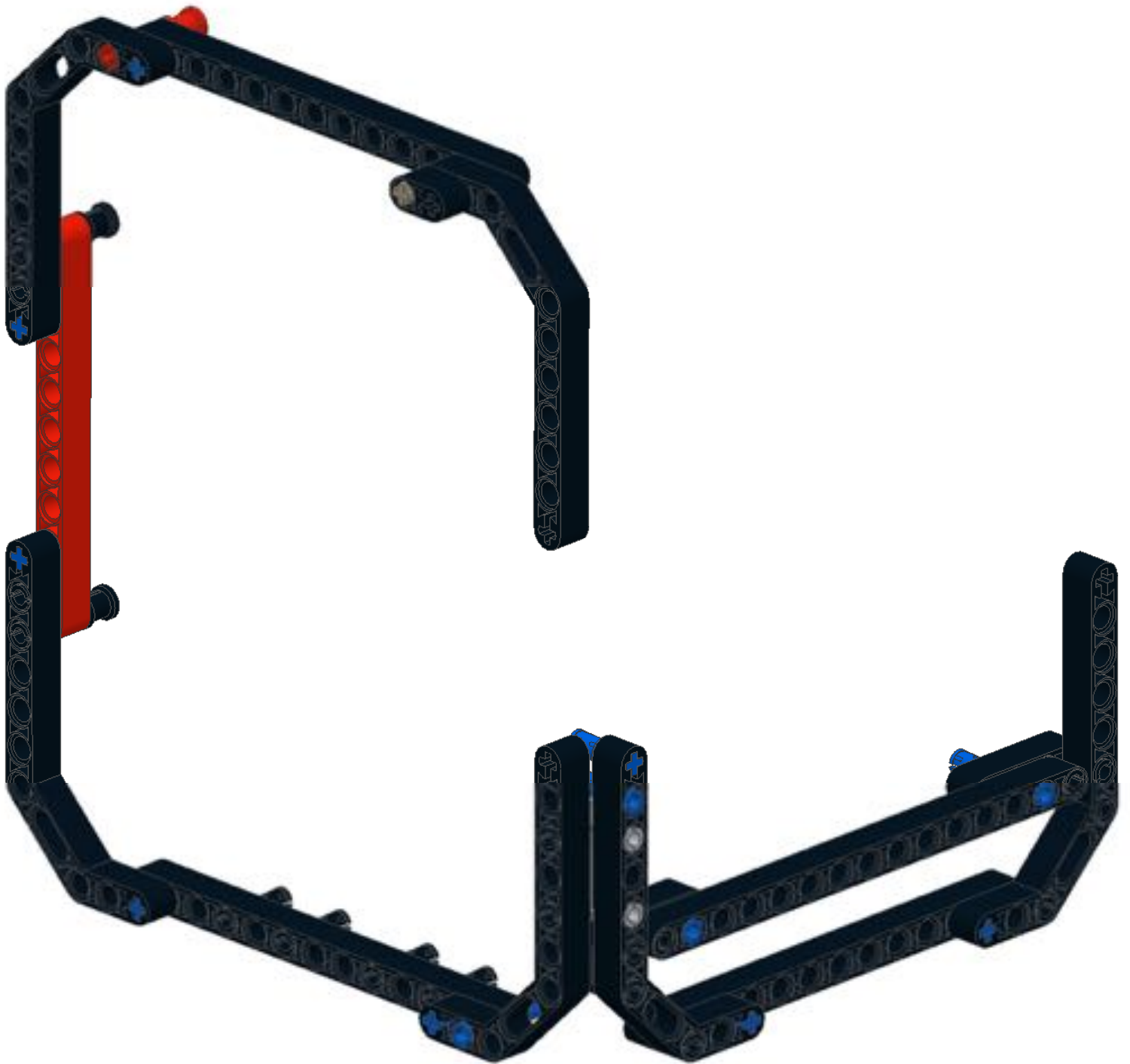




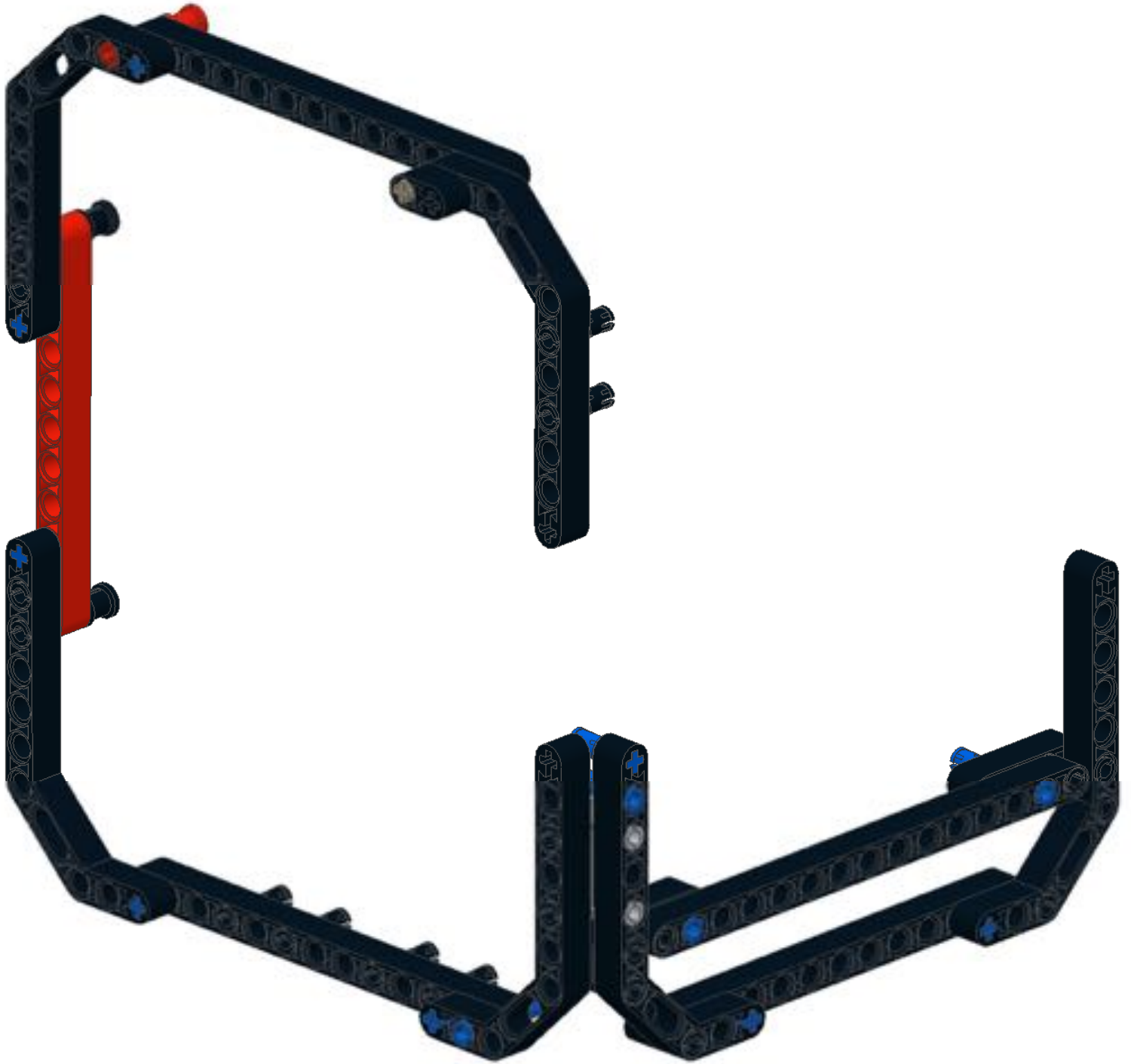
25



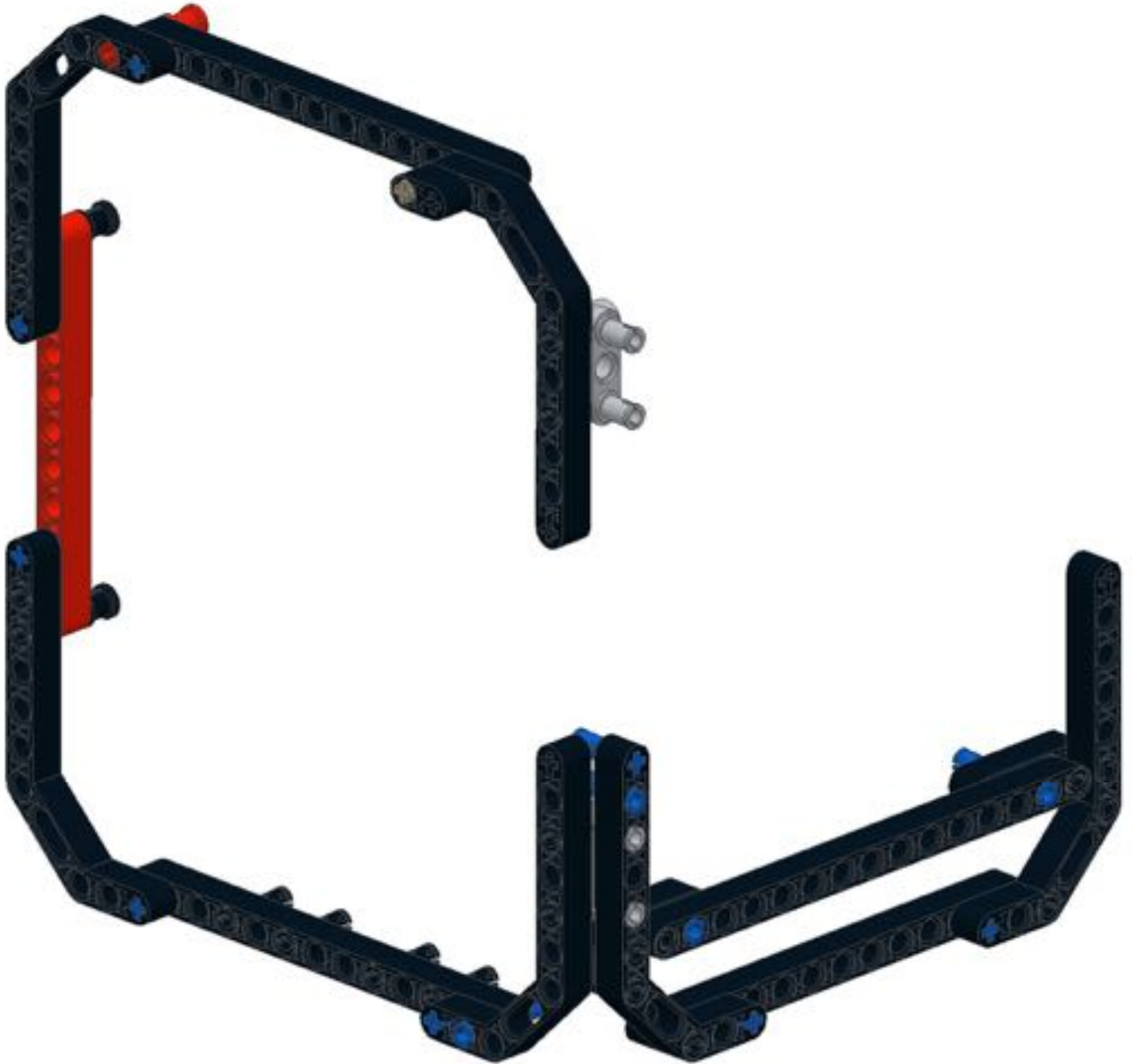
# 26



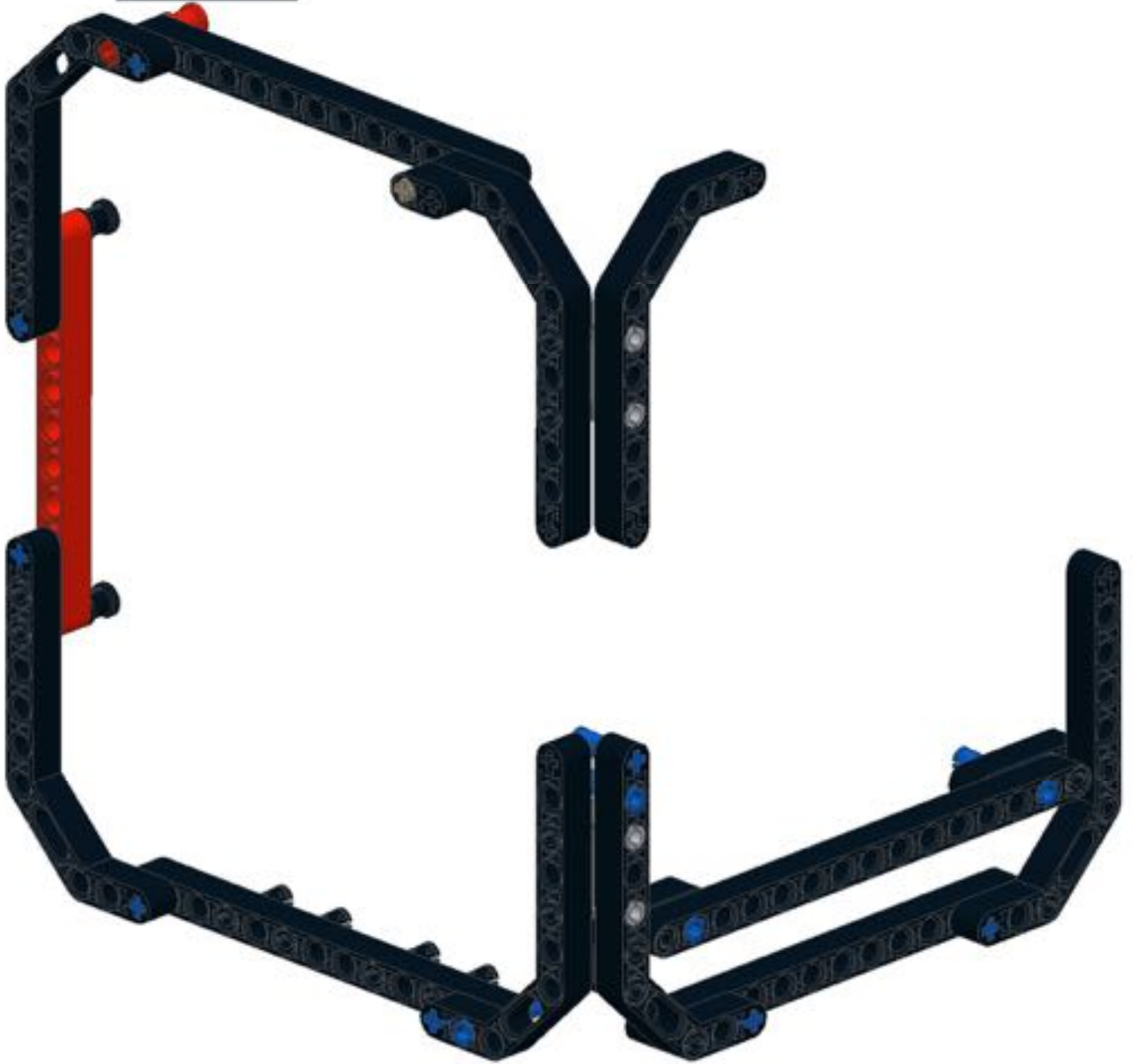
# 27



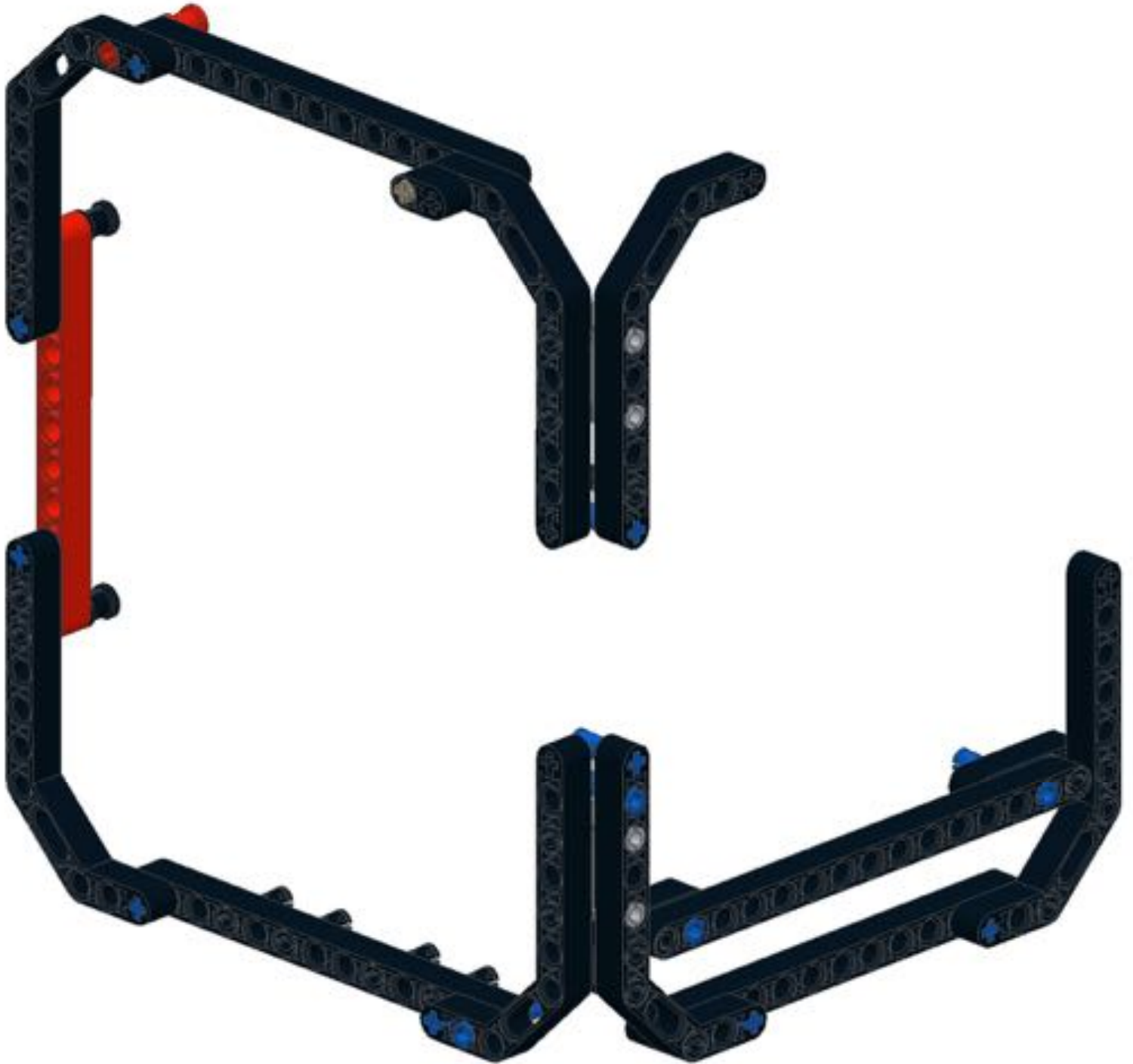
28



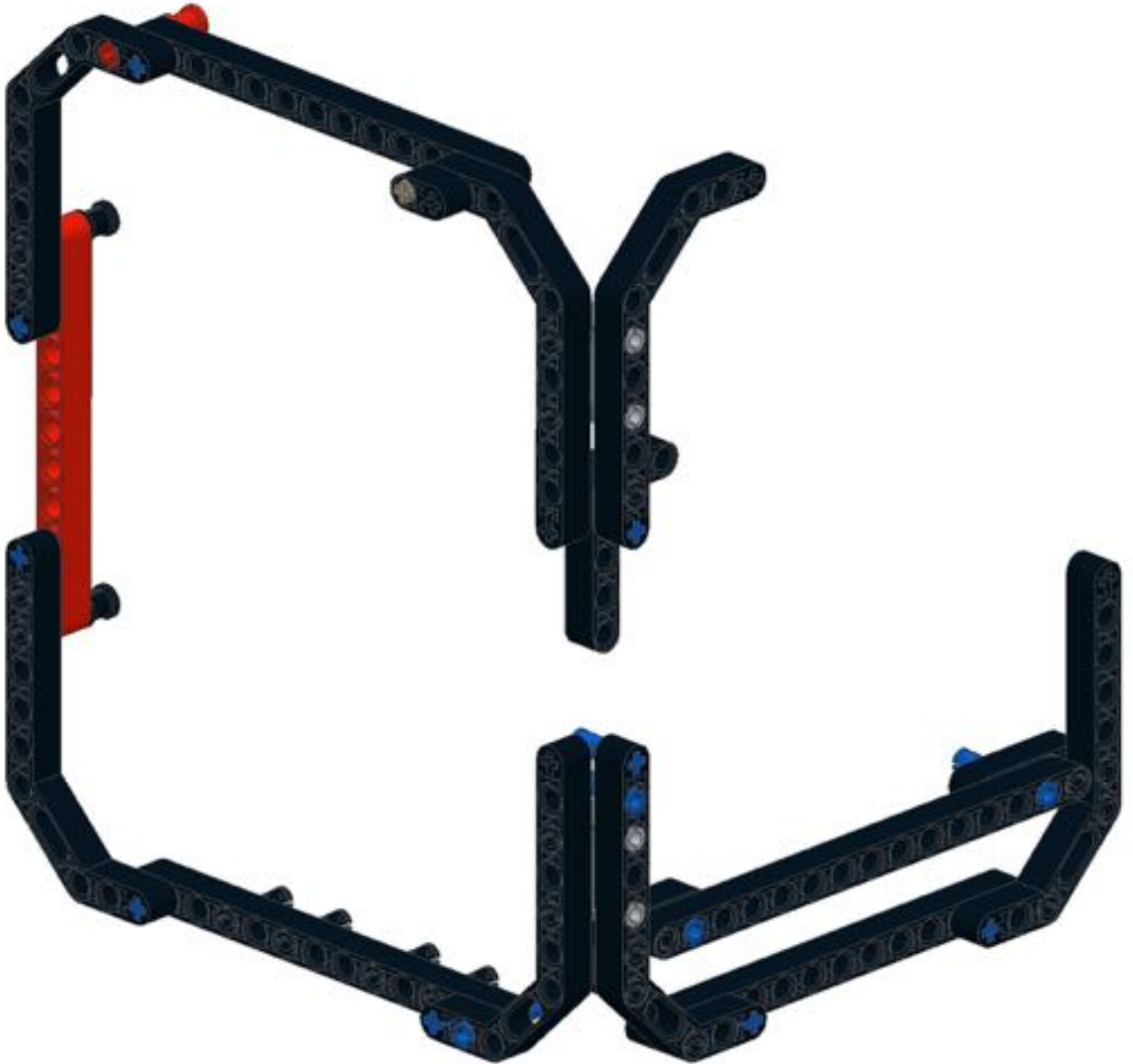
29



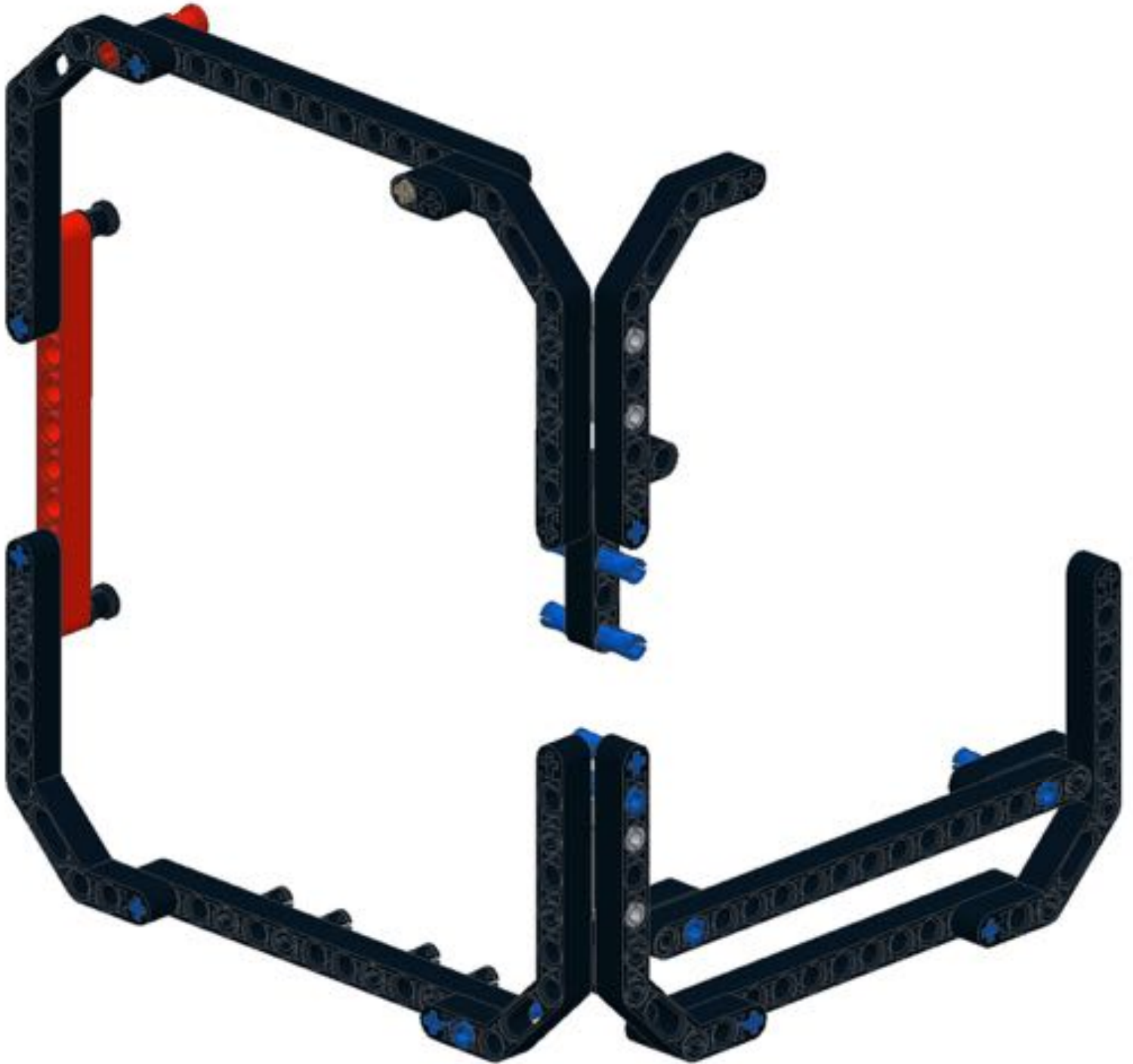
30



31

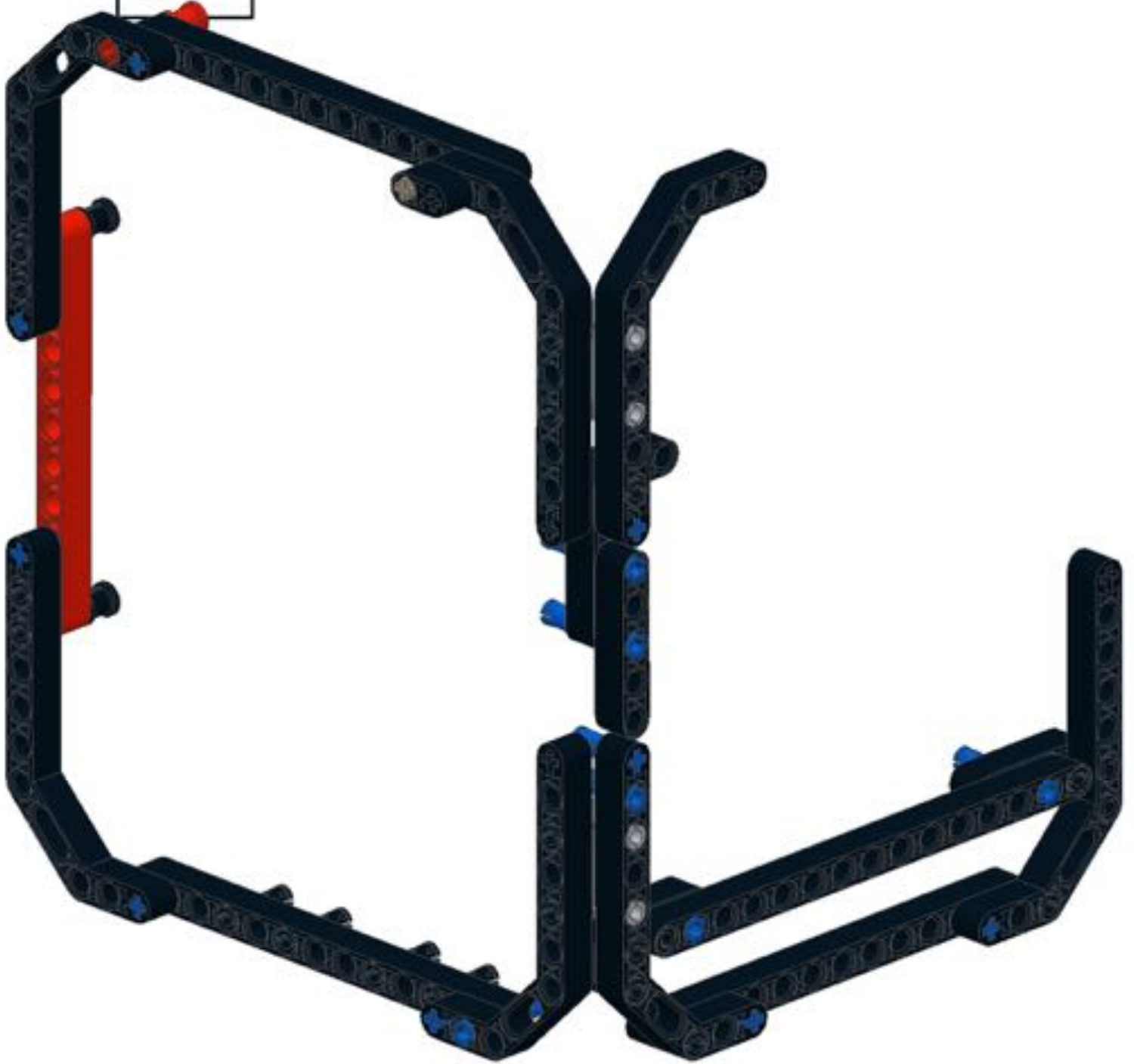


32

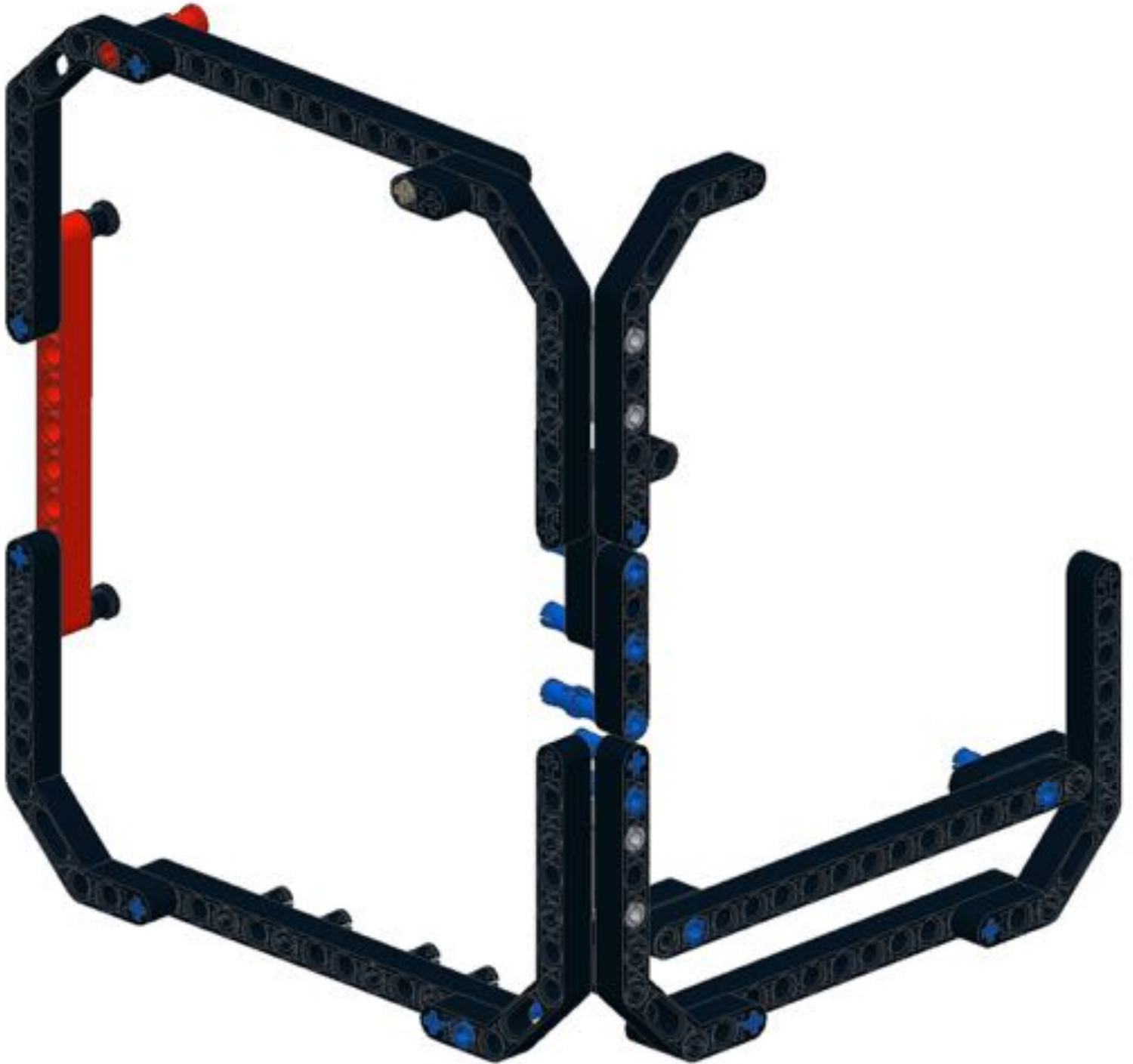




33



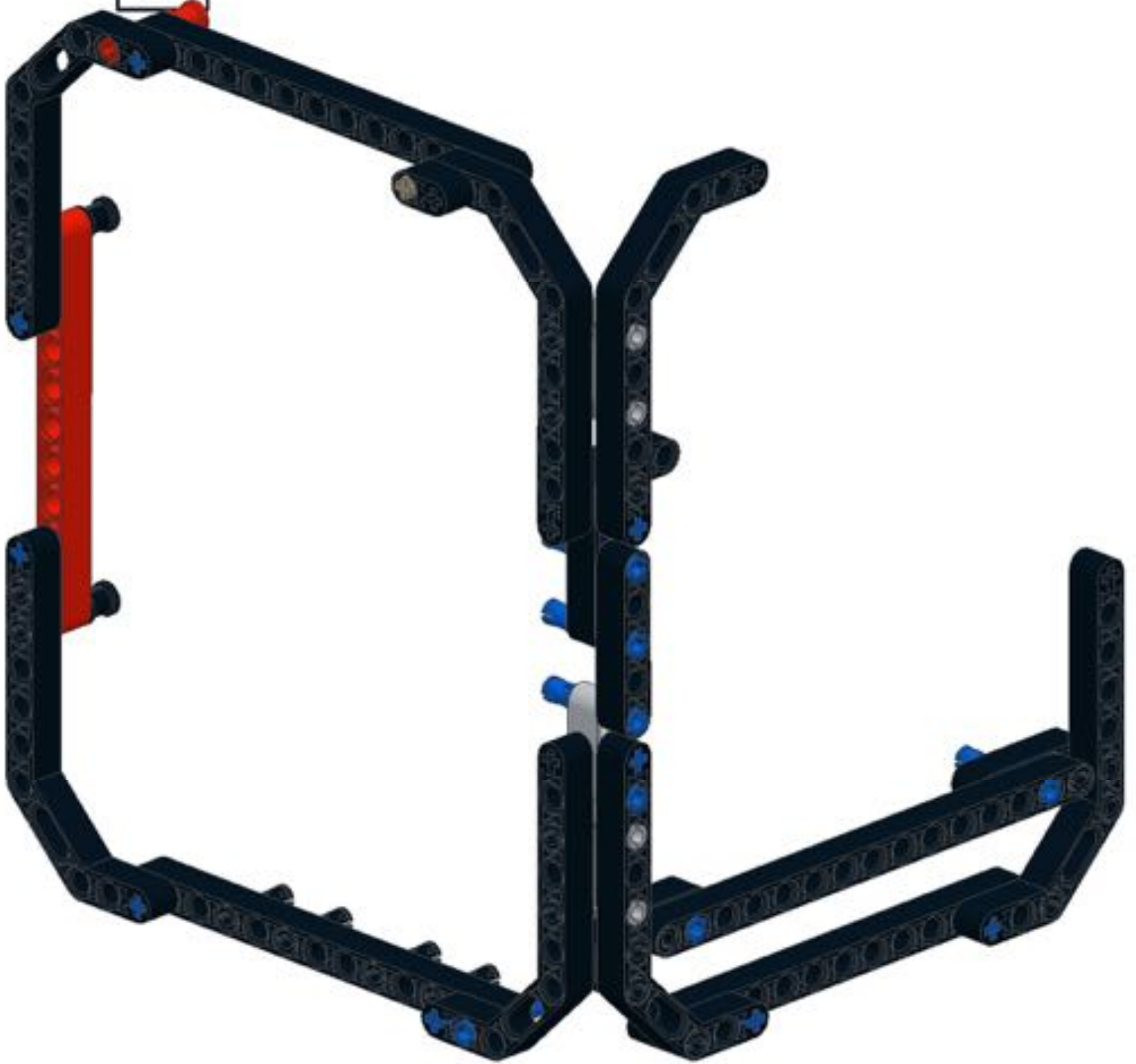
34



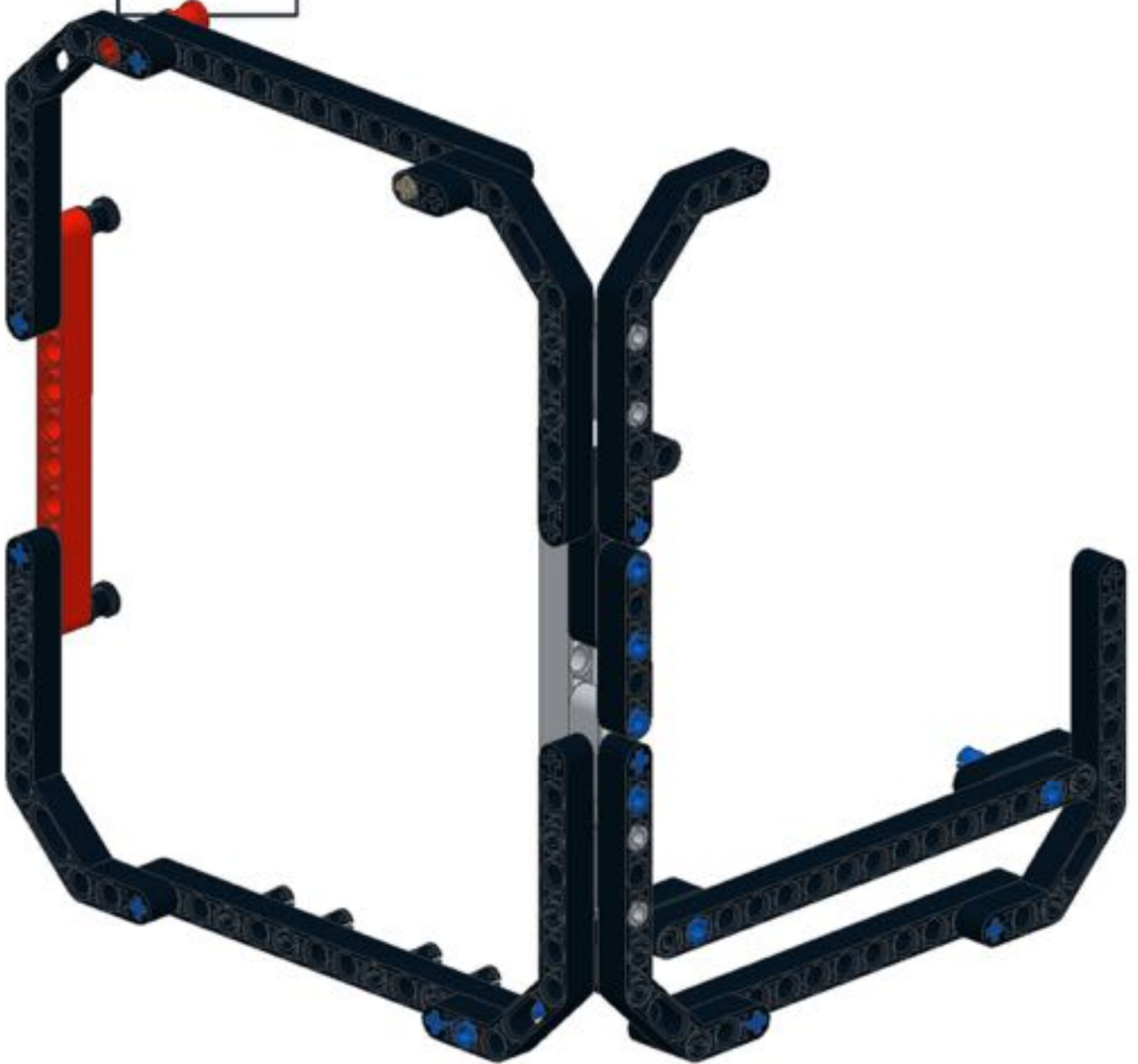
35

3

1x

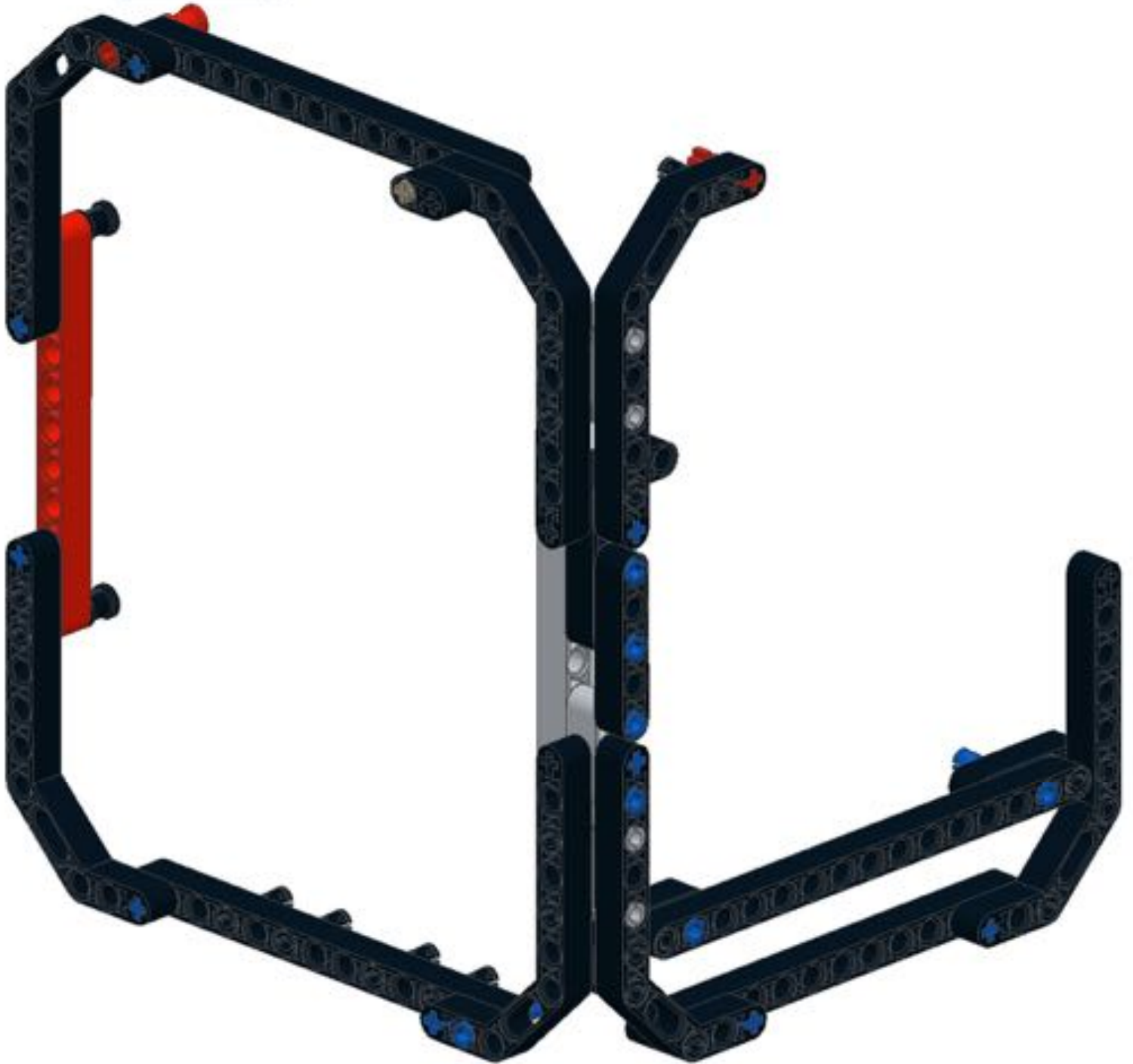


36

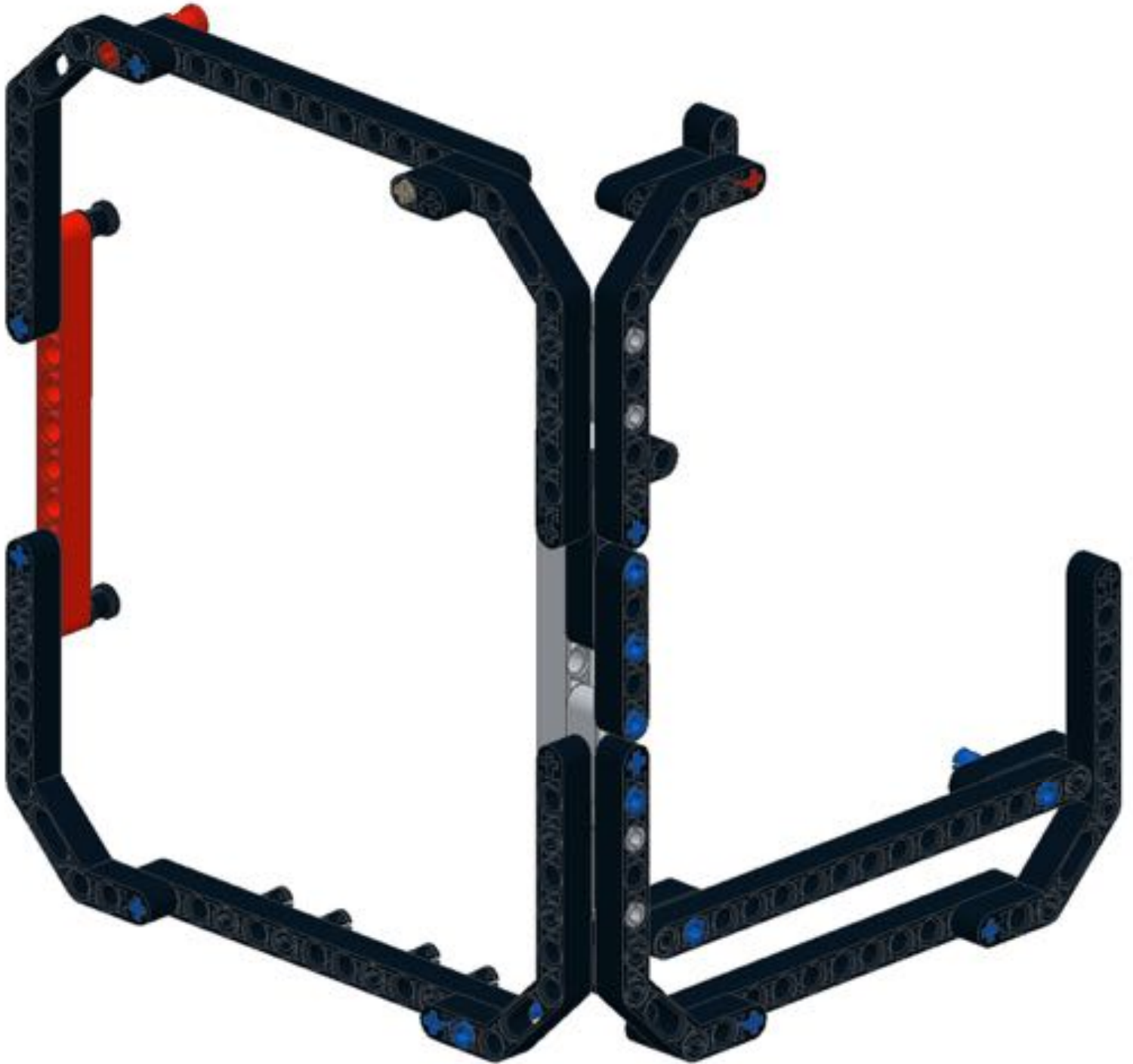


37

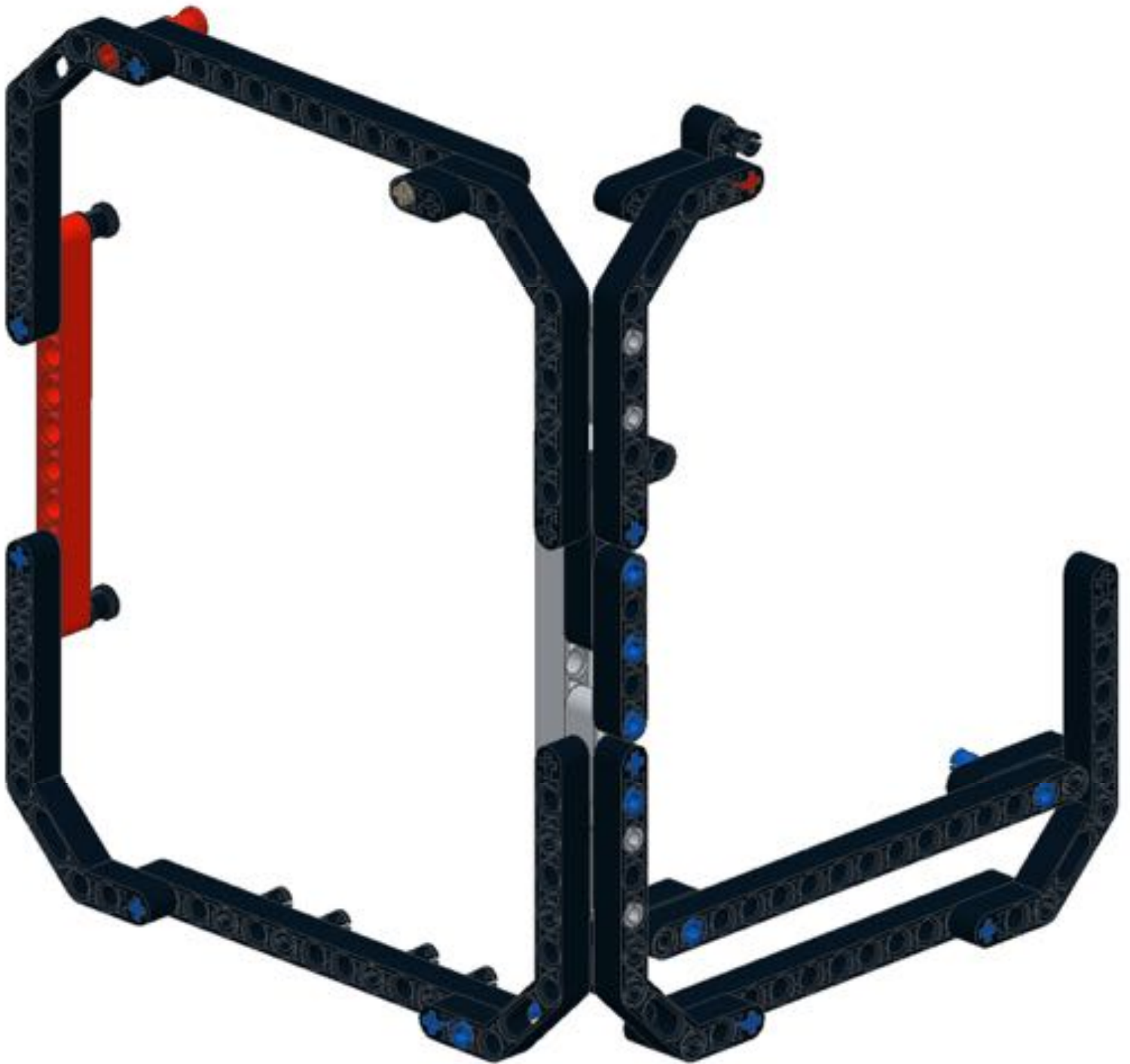
2
 
1x 1x



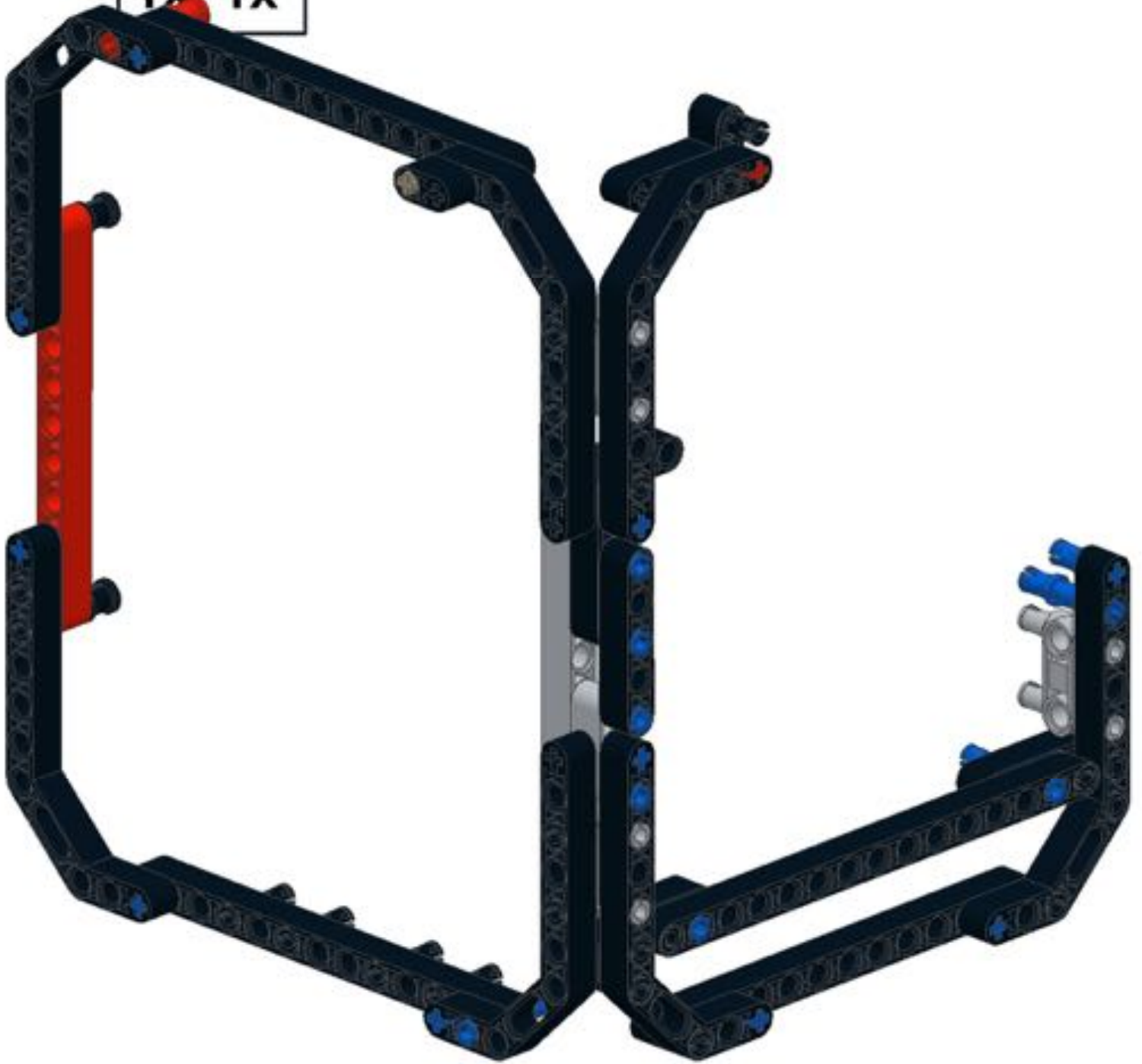
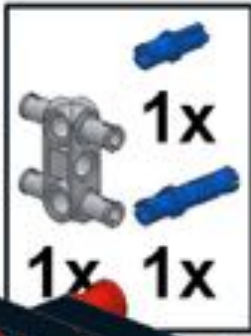
38



# 39



40

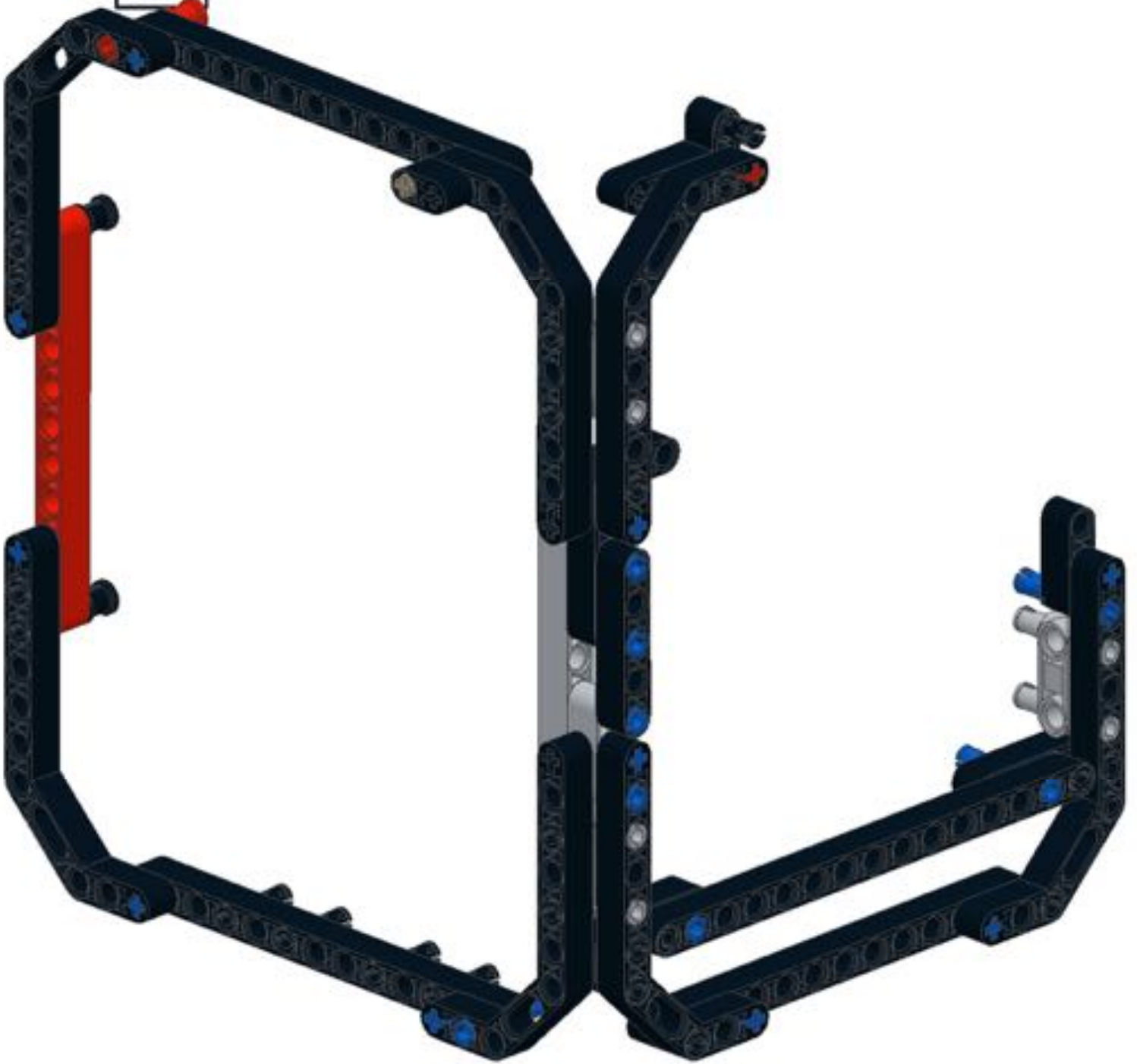




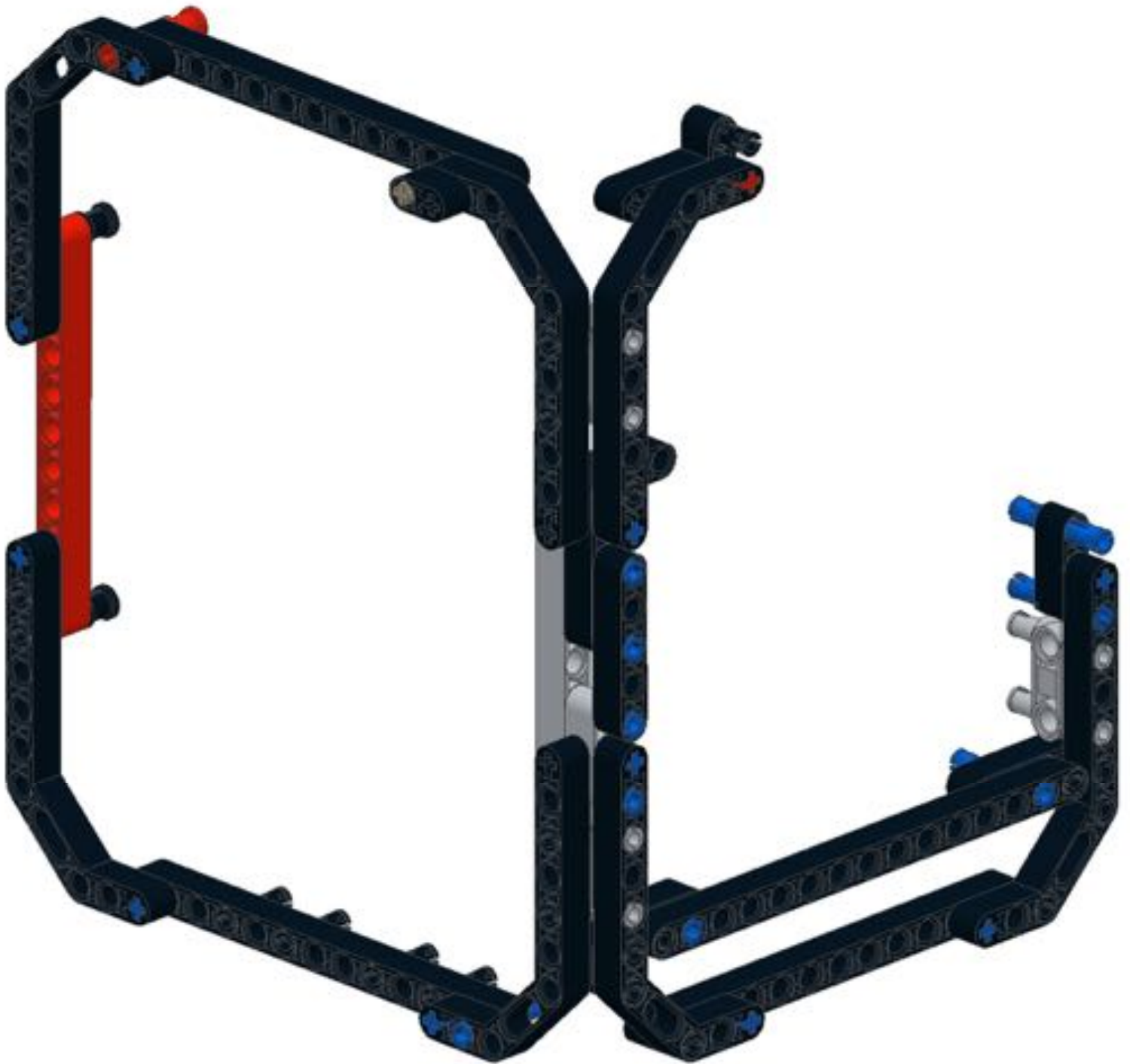
41

3

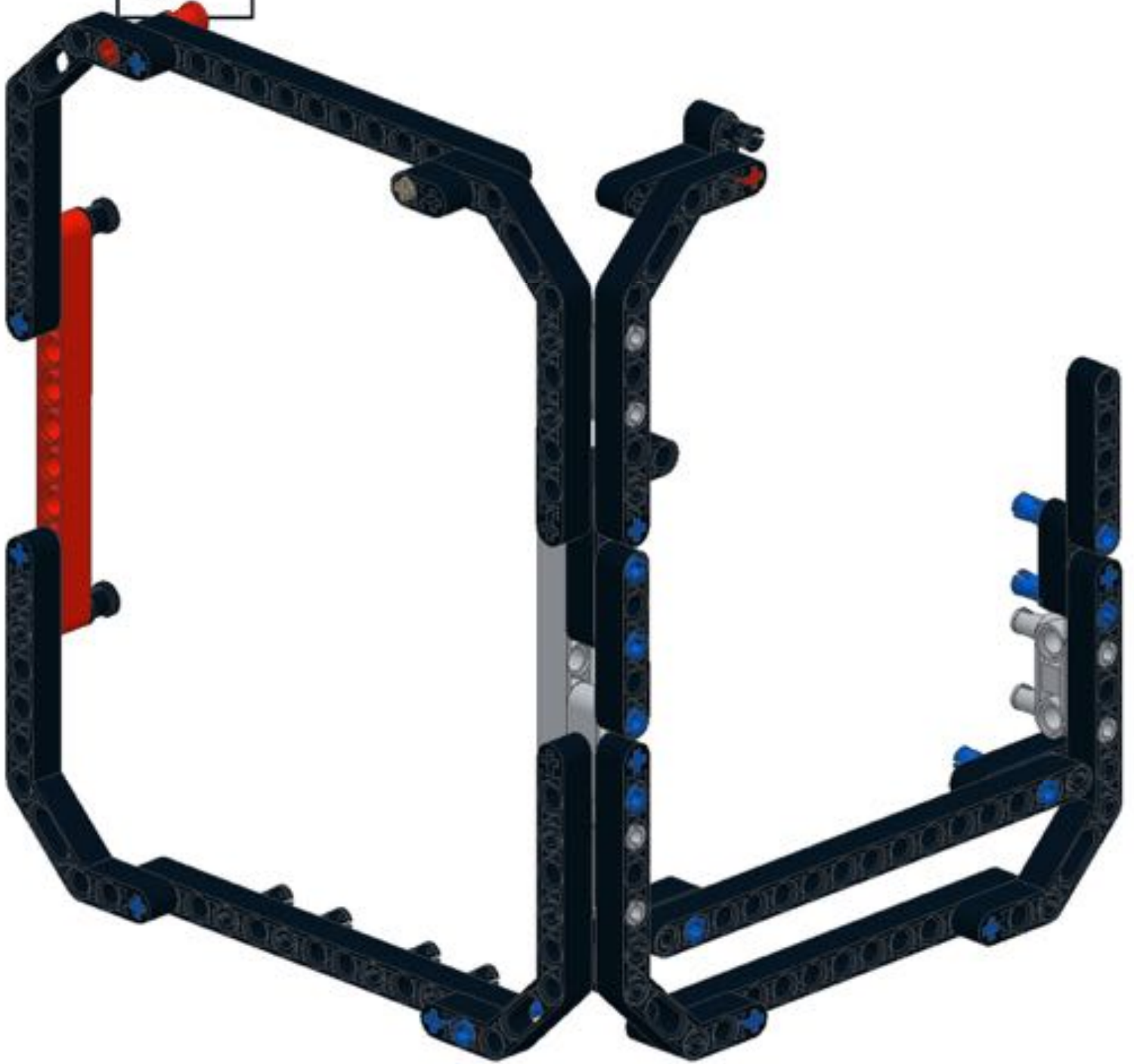
1x



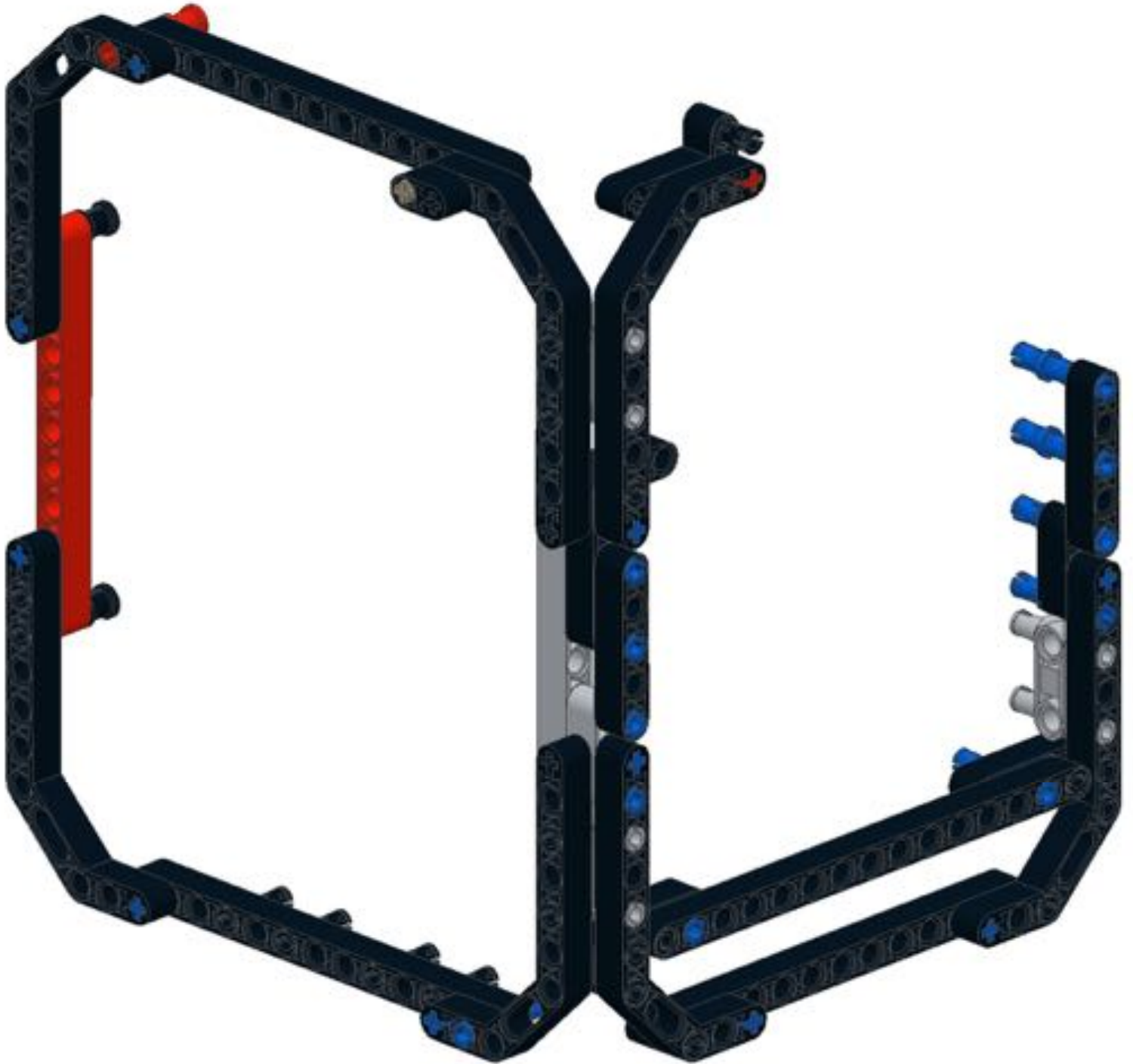
42



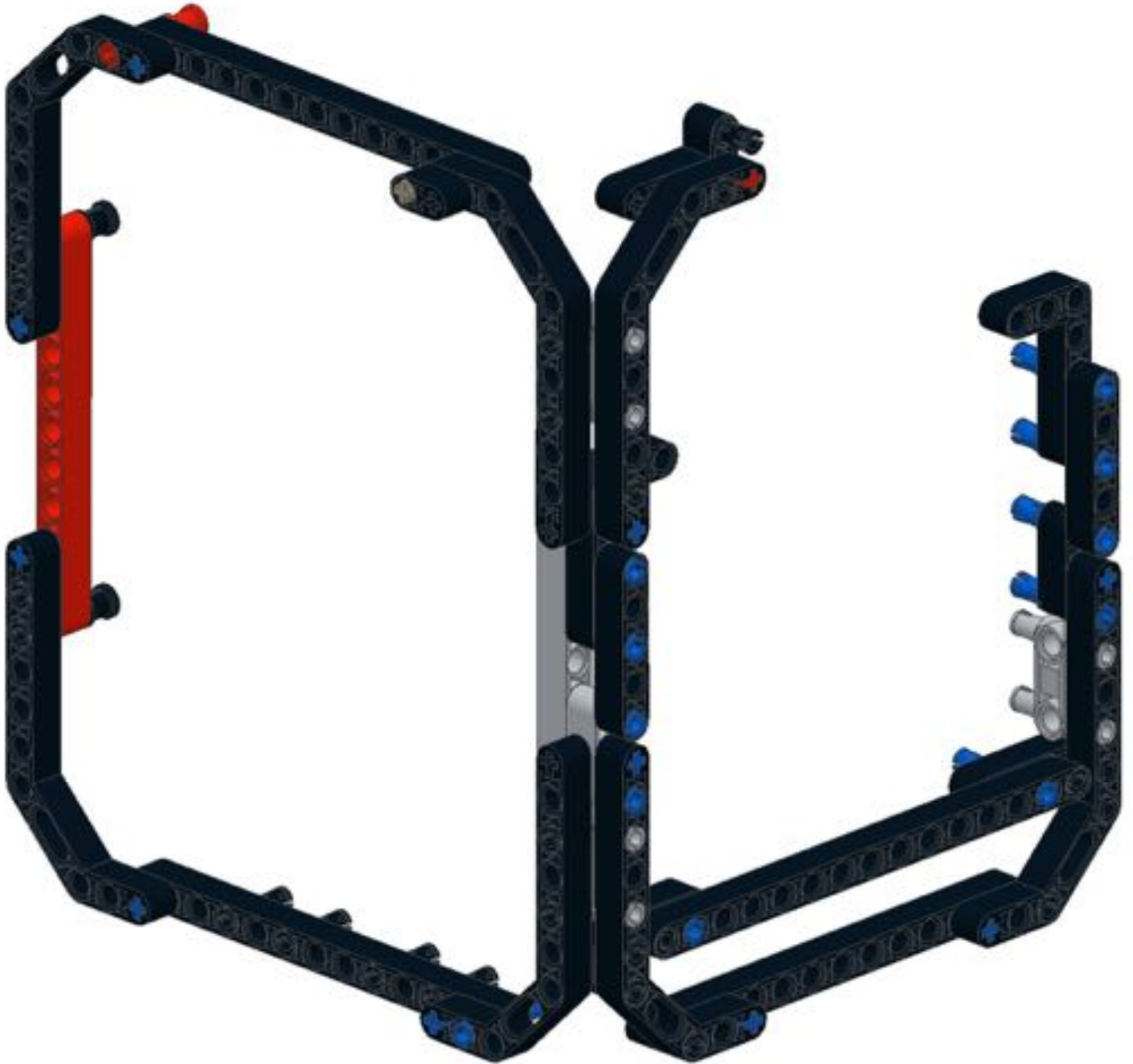
43



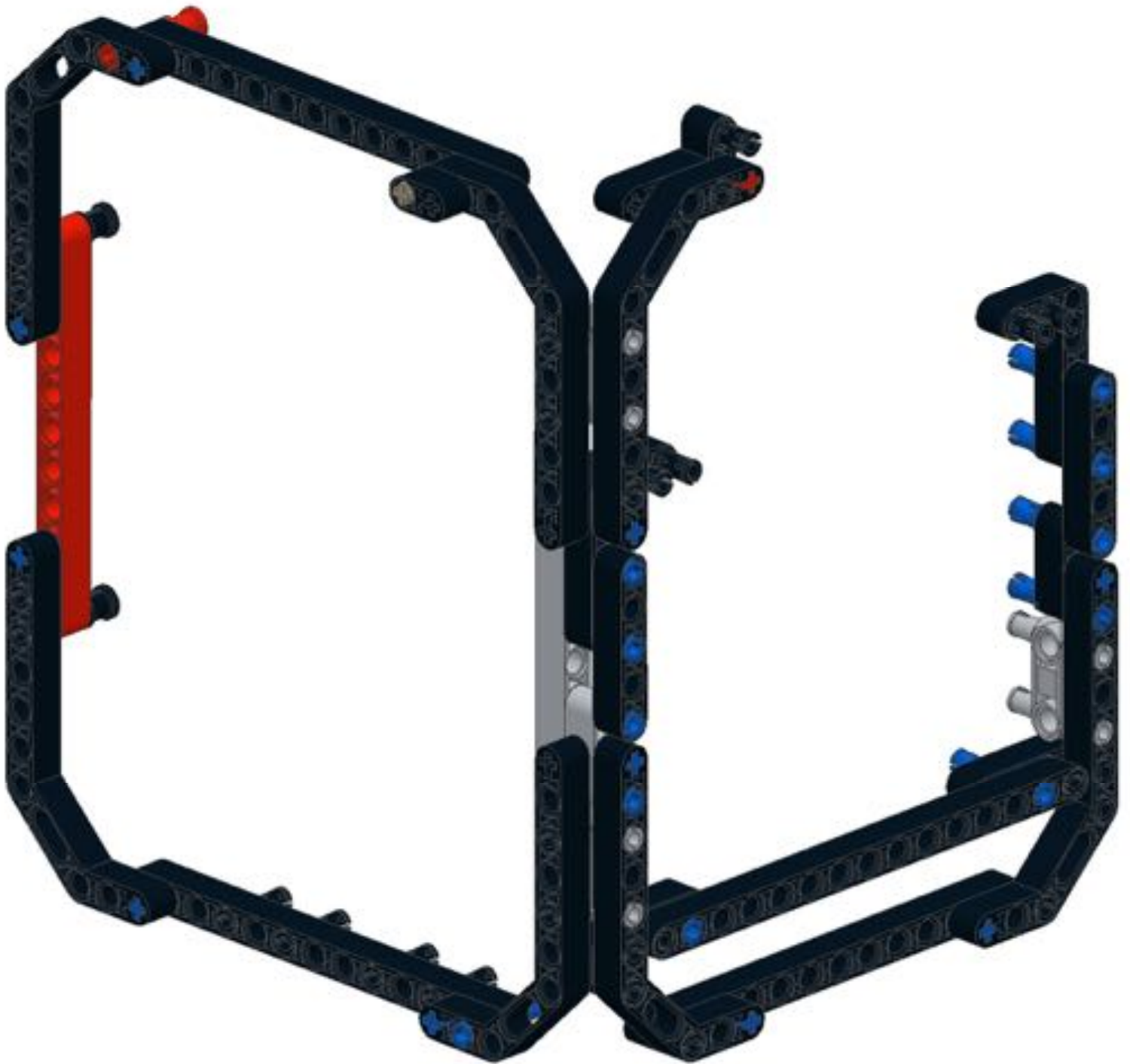
44



45



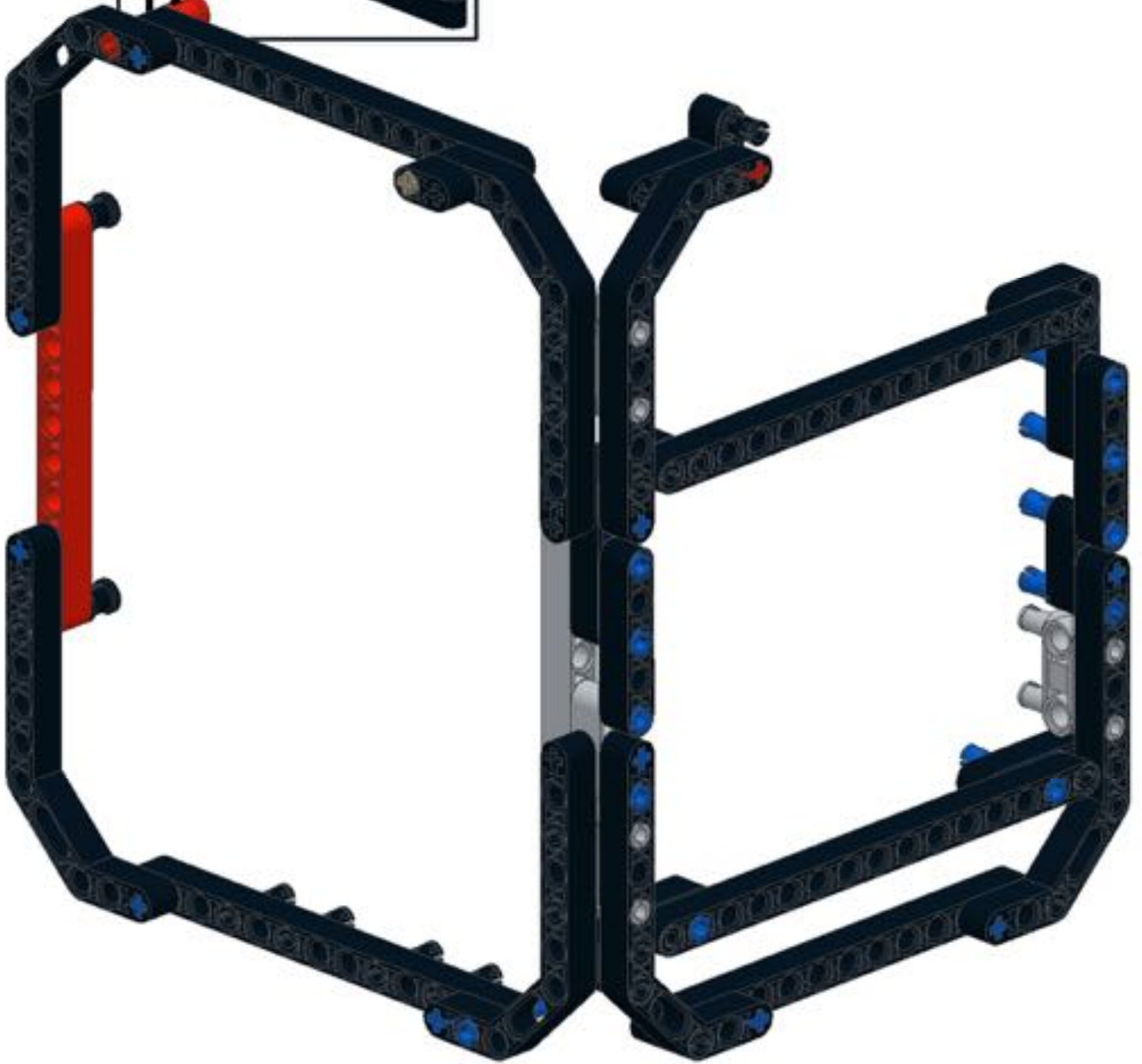
46



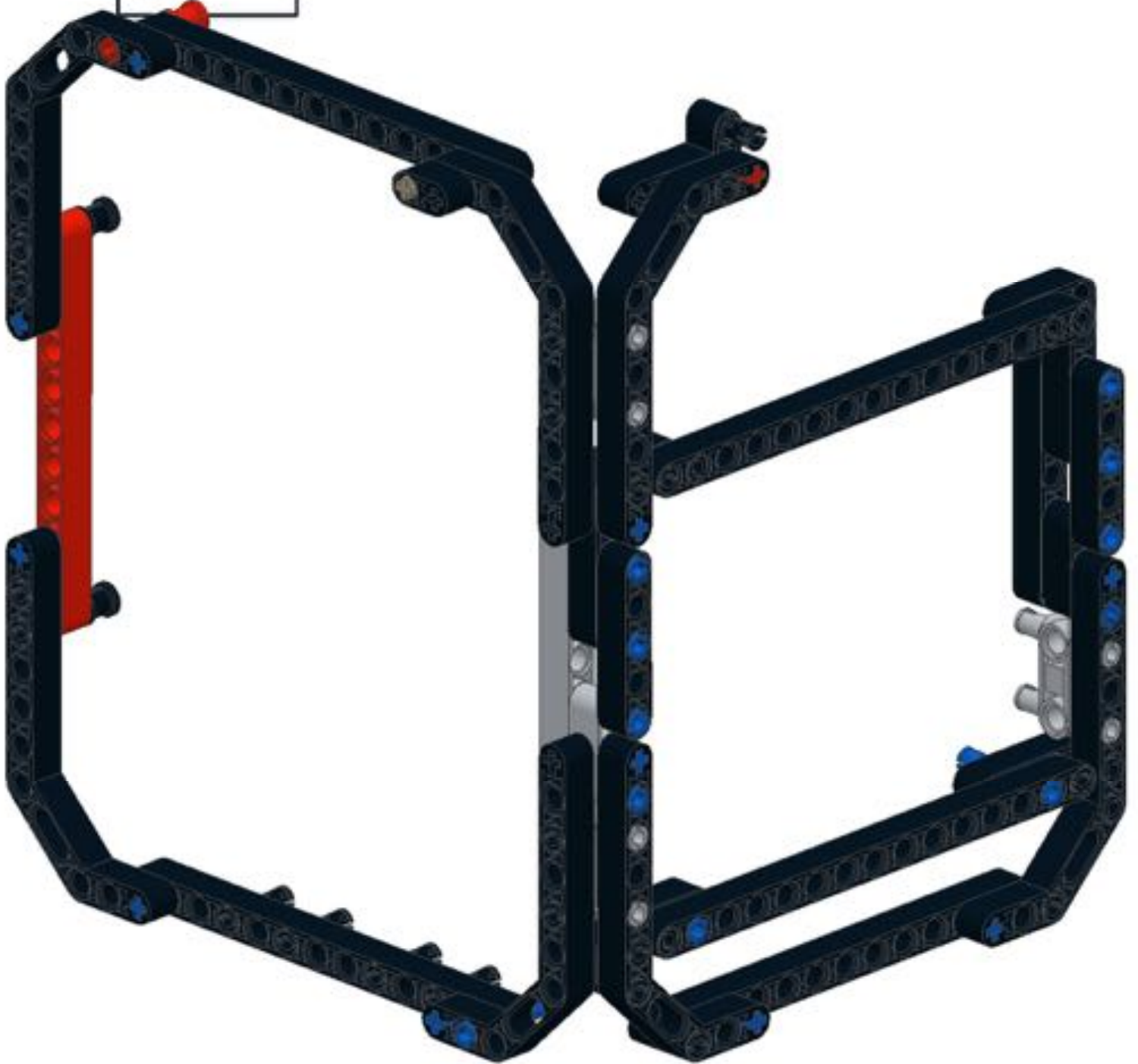
47

15

1x

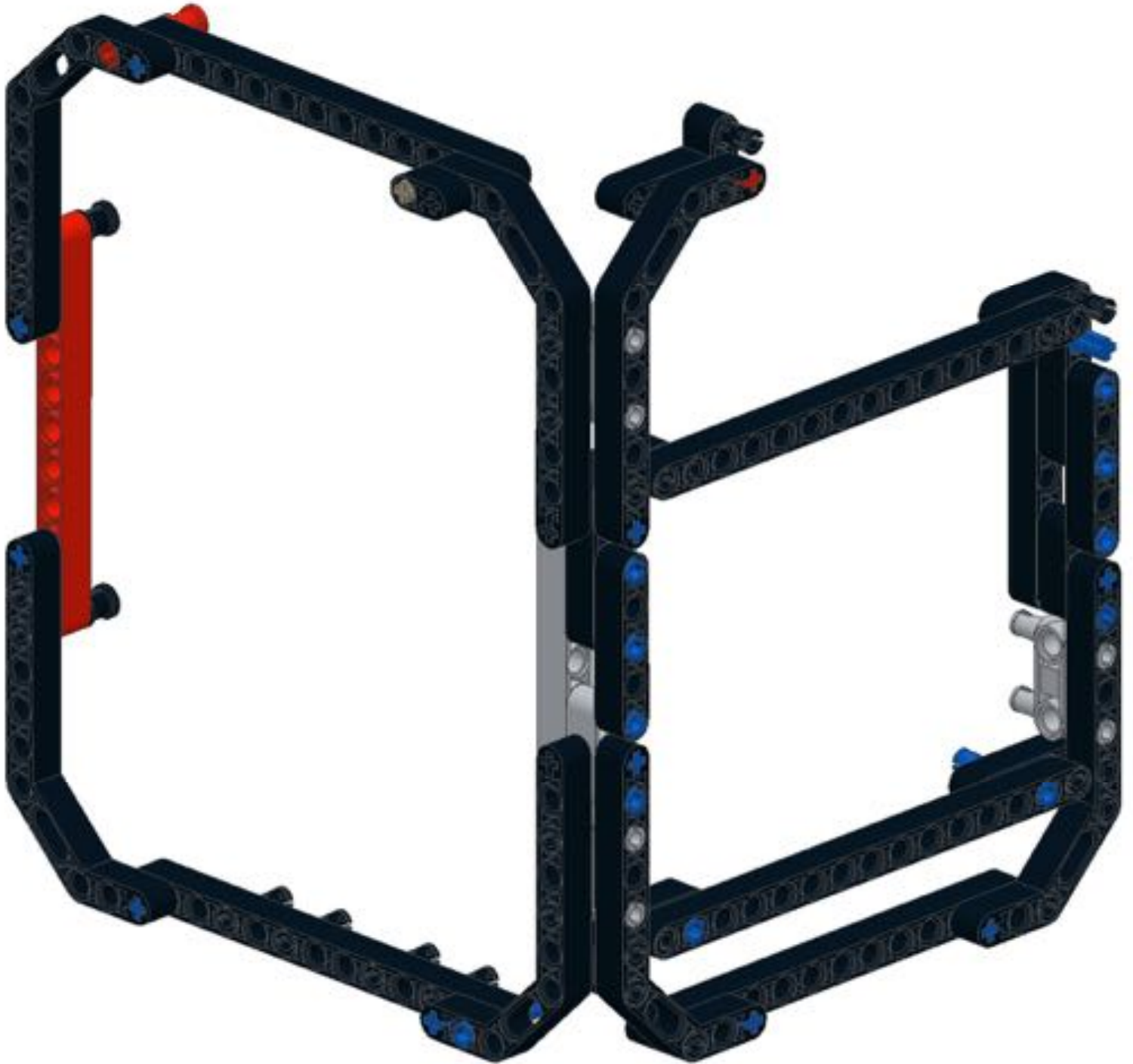


48

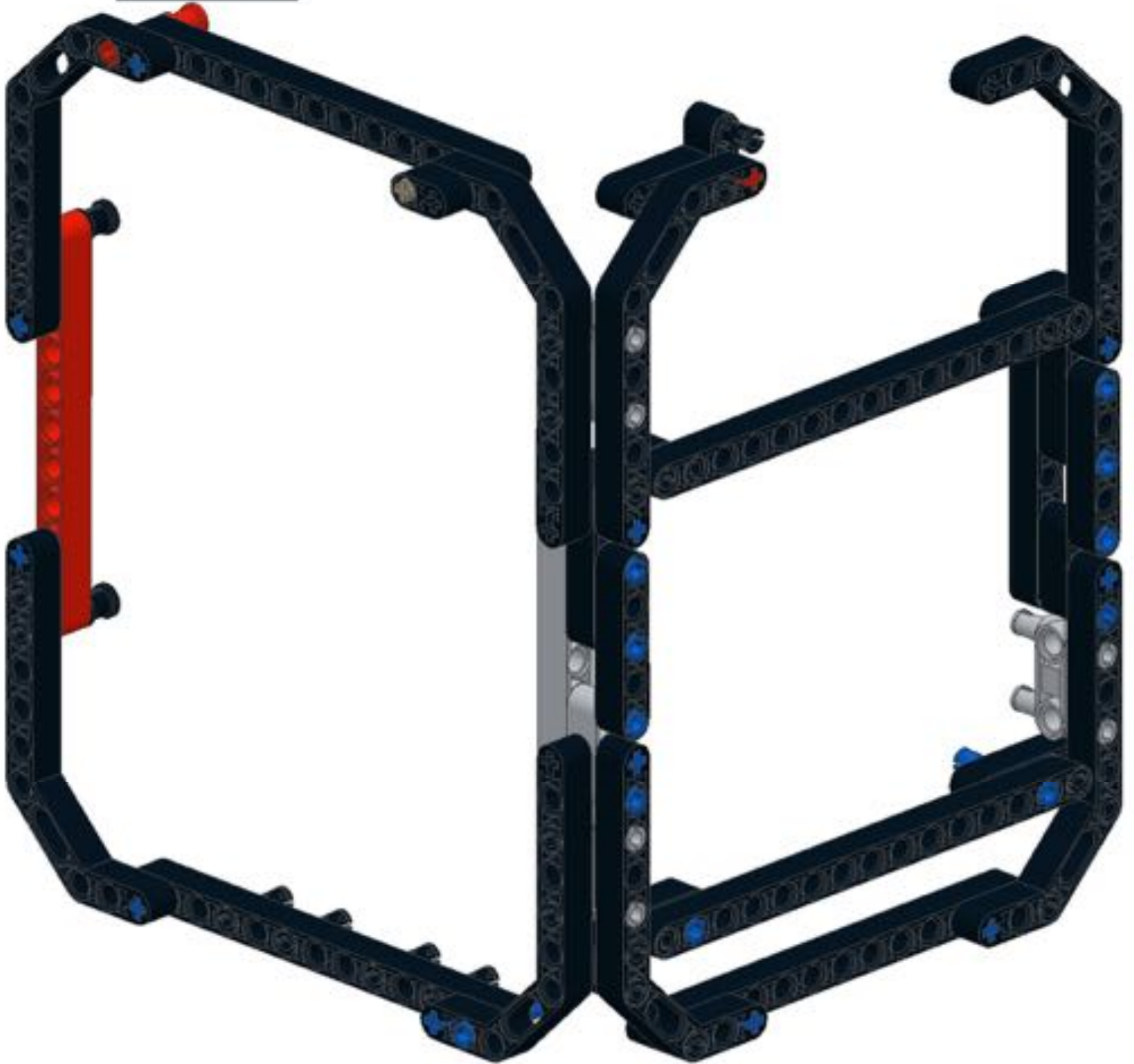




49

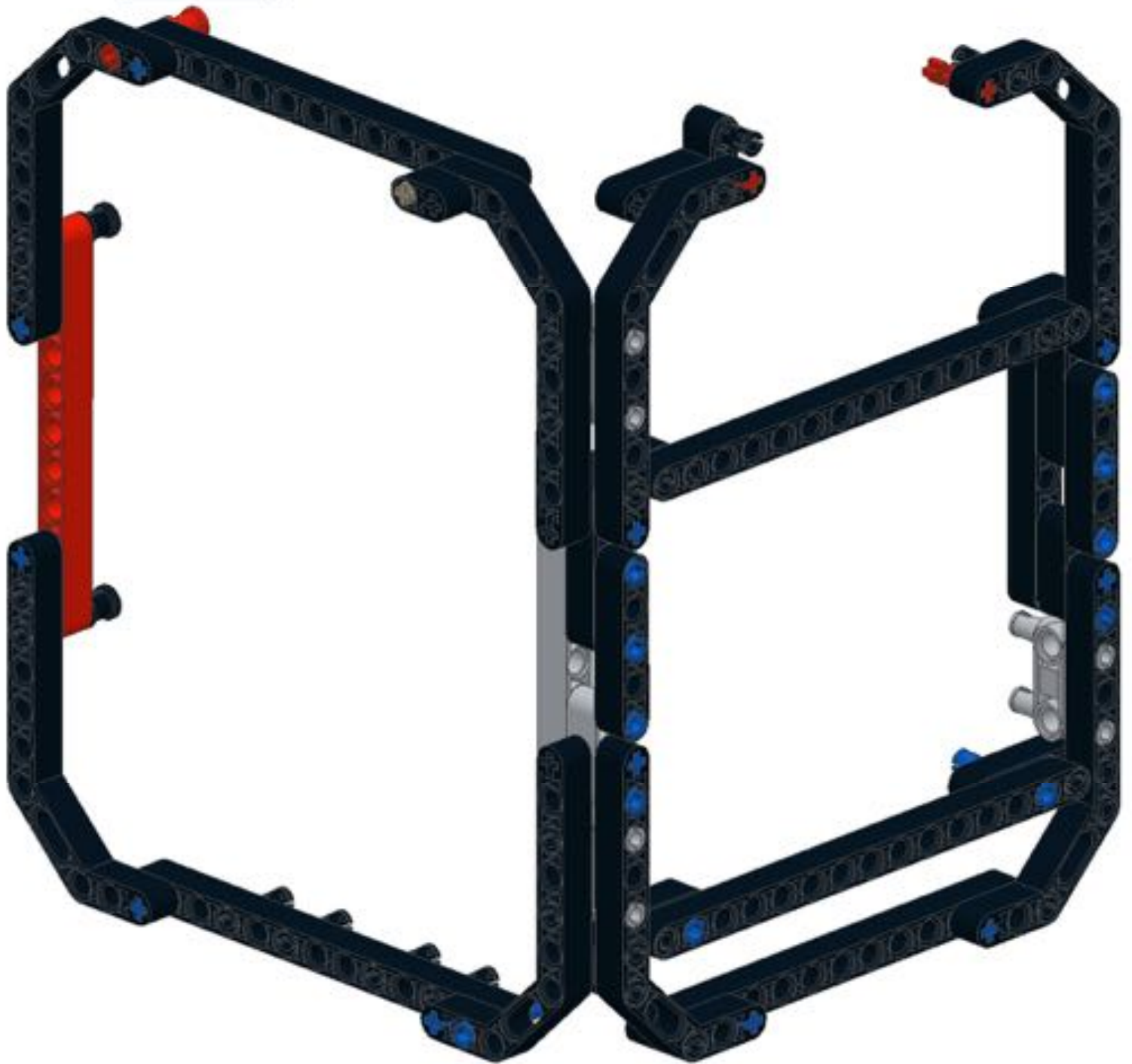


50

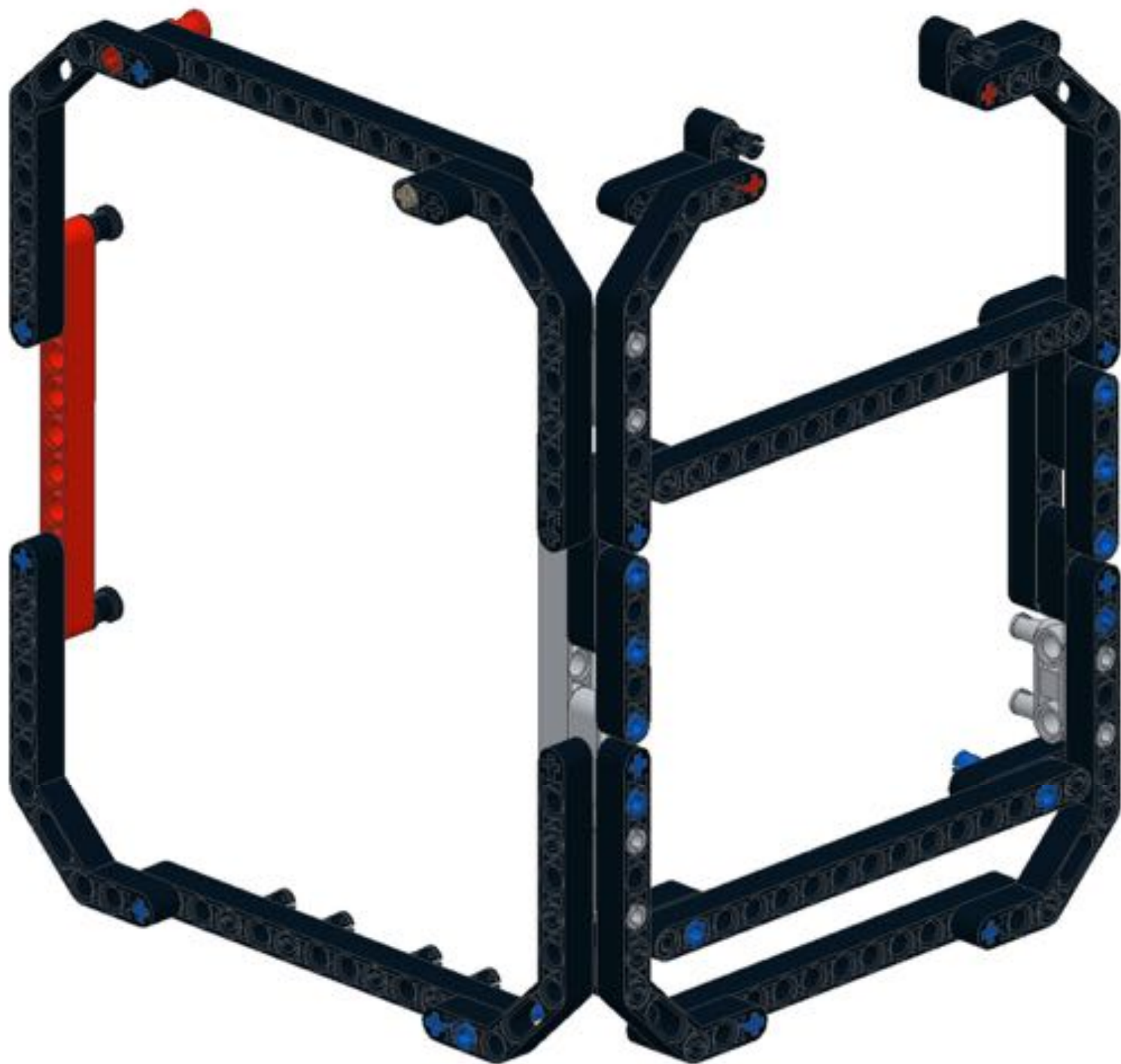
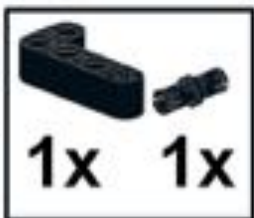


# 51

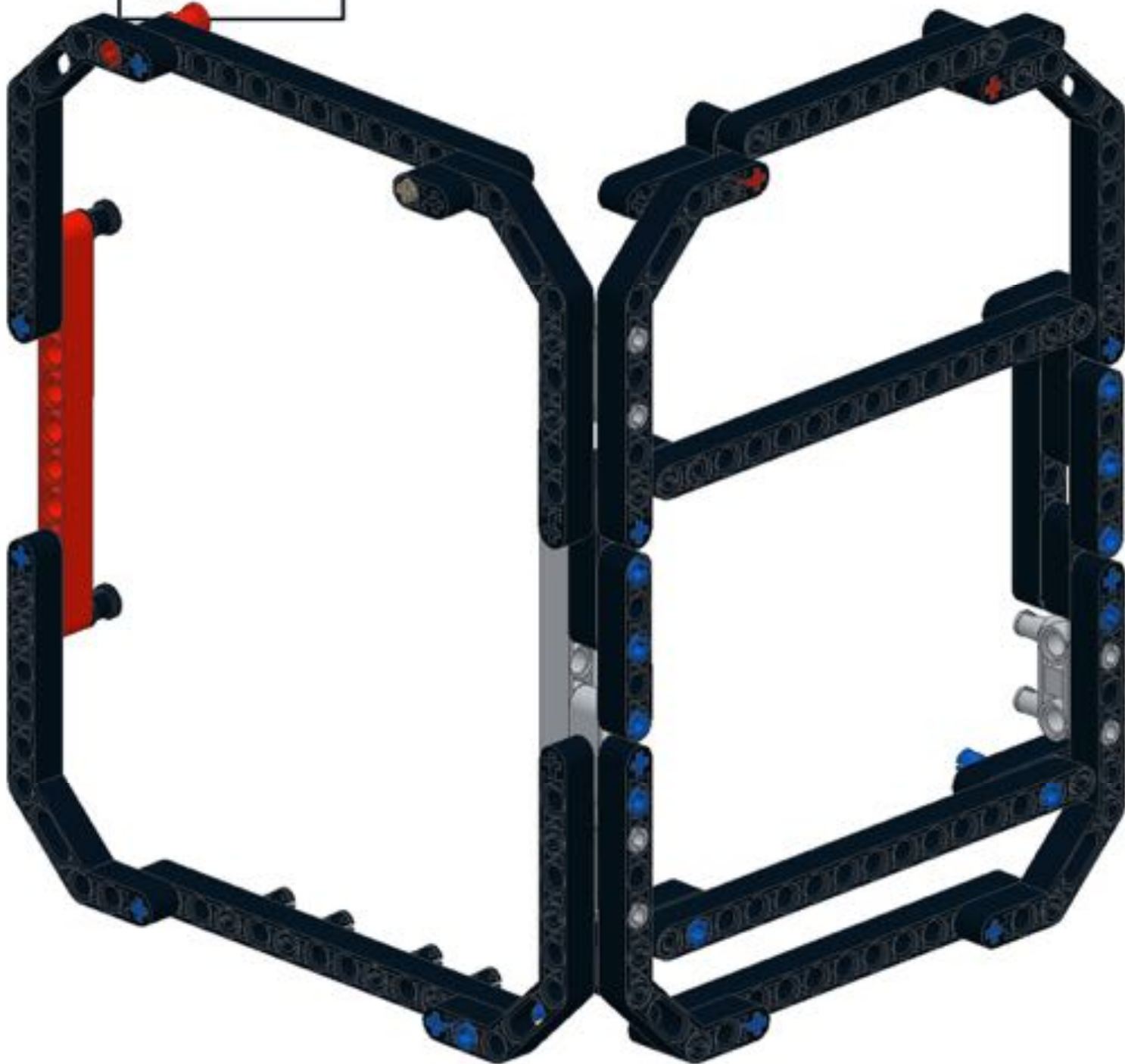
2
 
1x 1x



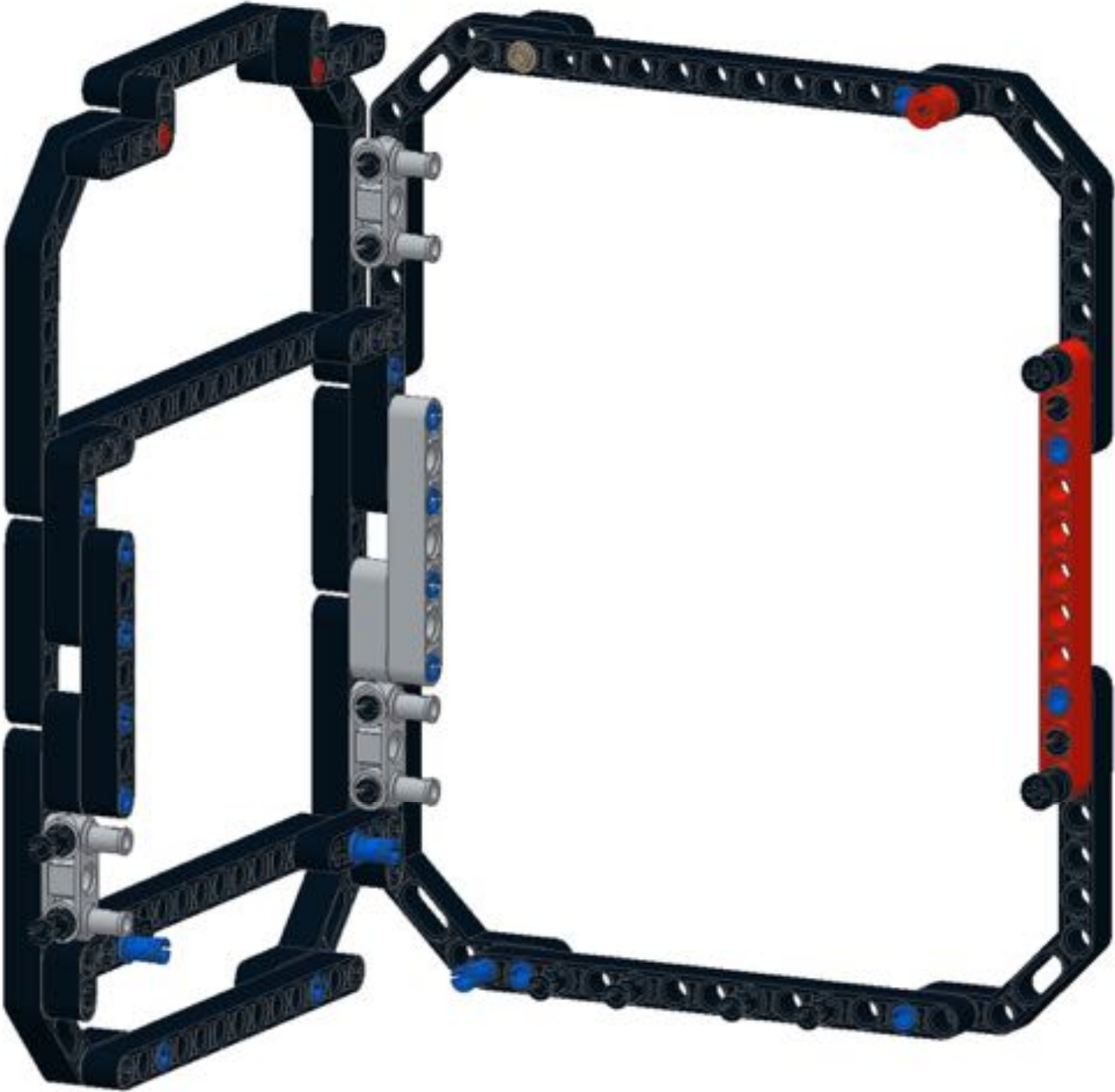
52



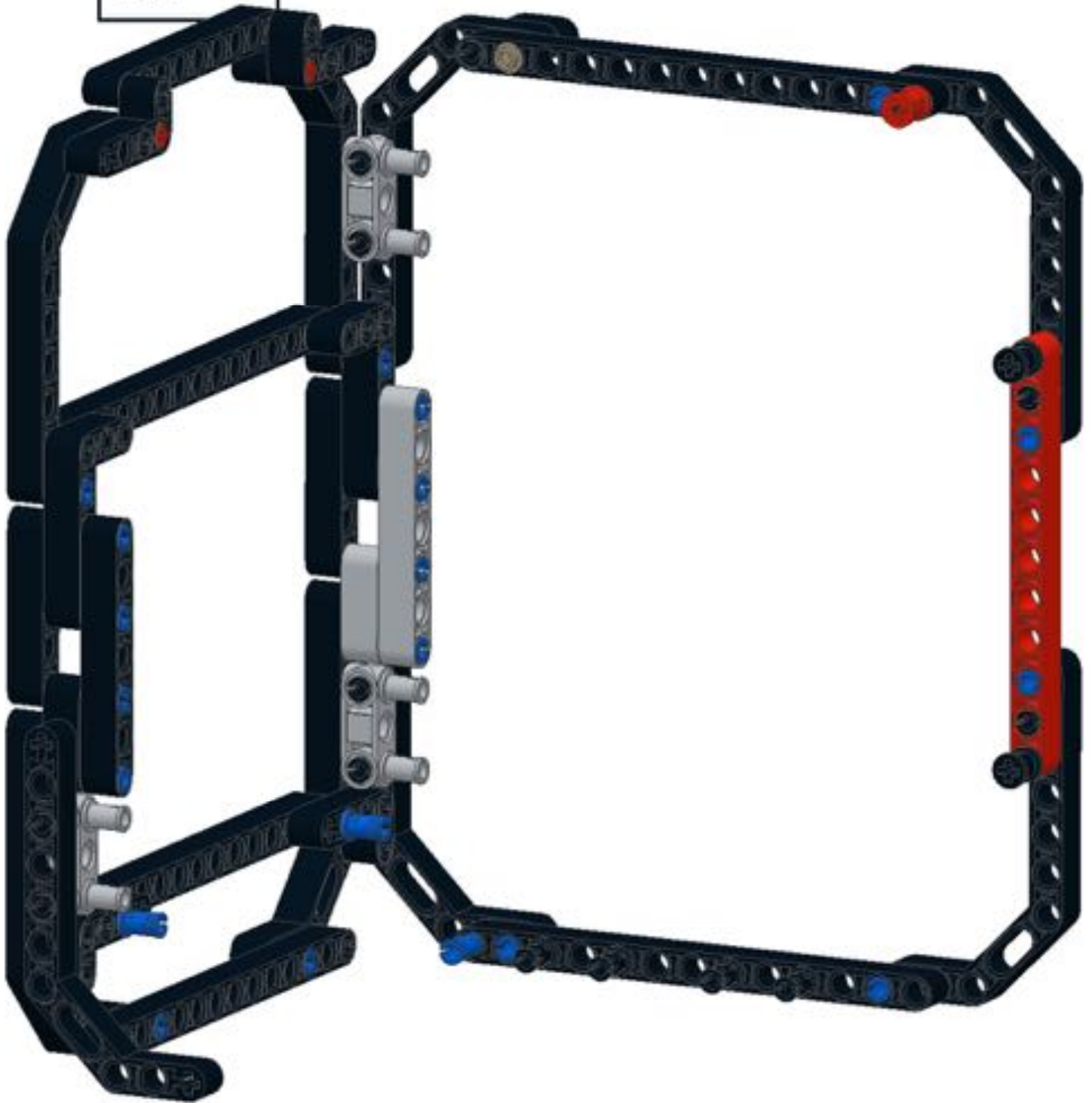
53



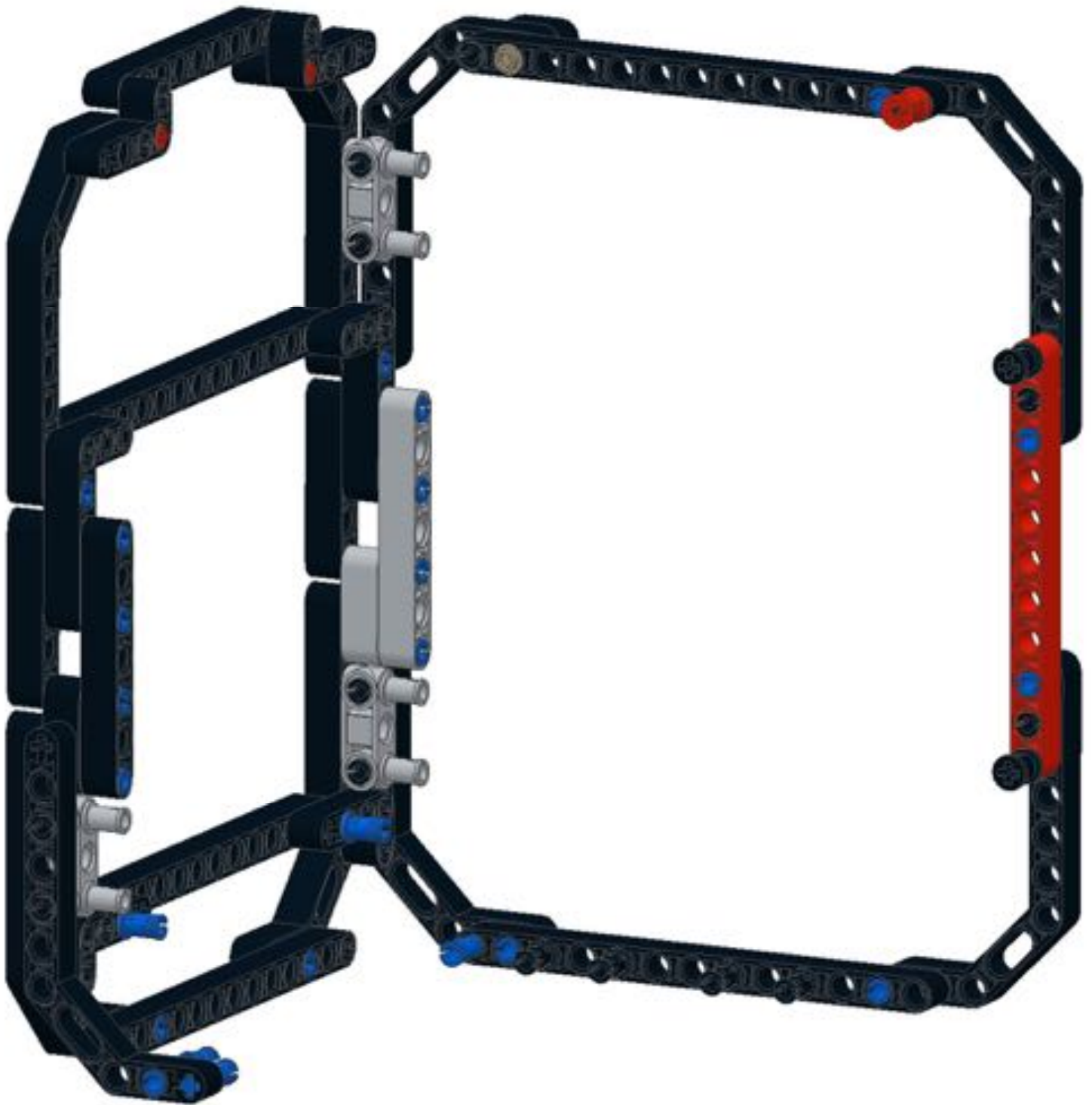
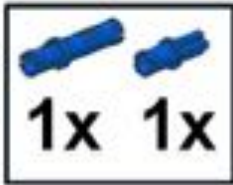
54  2x



55

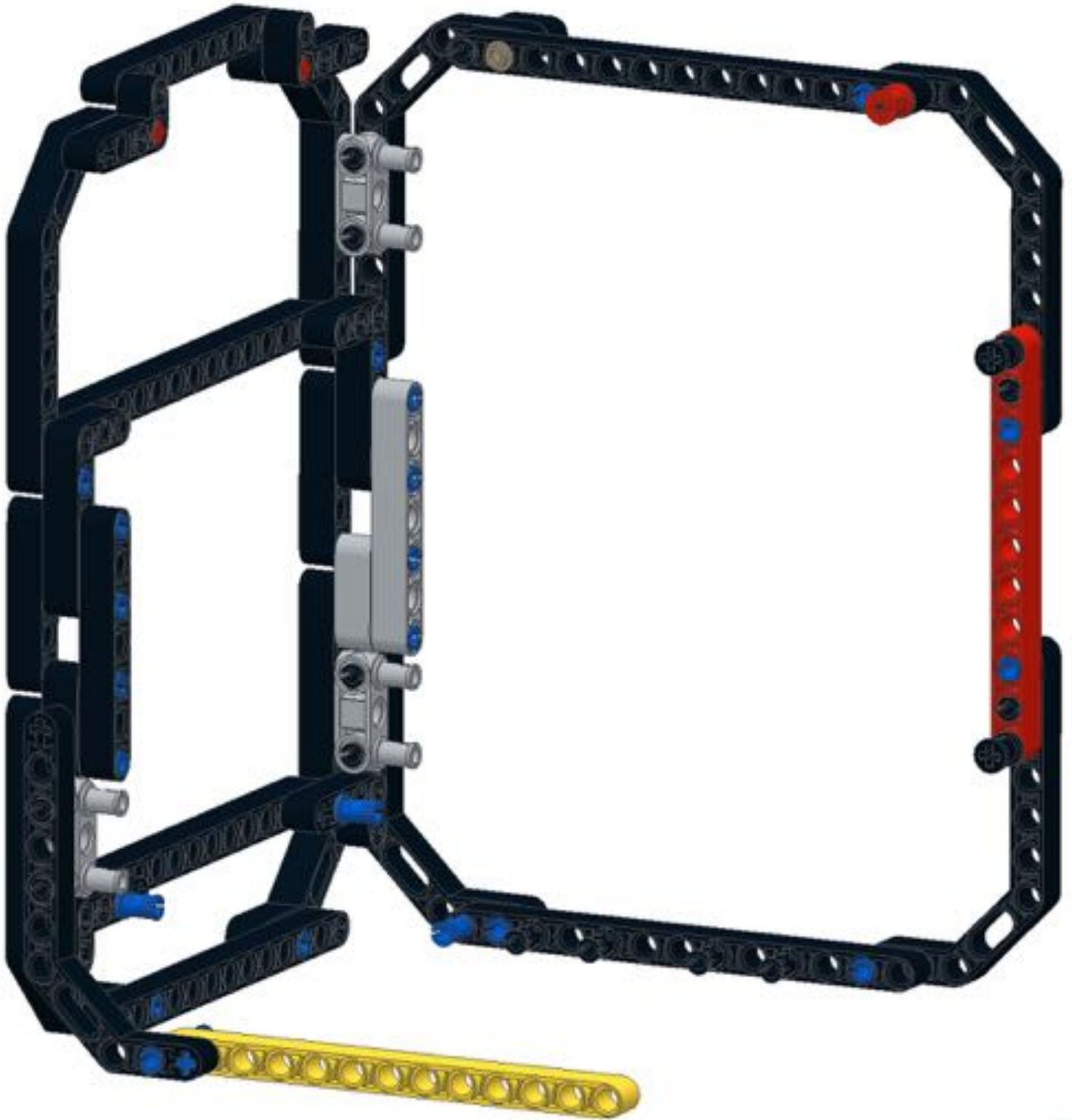
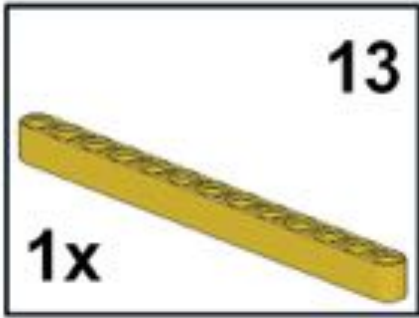


56



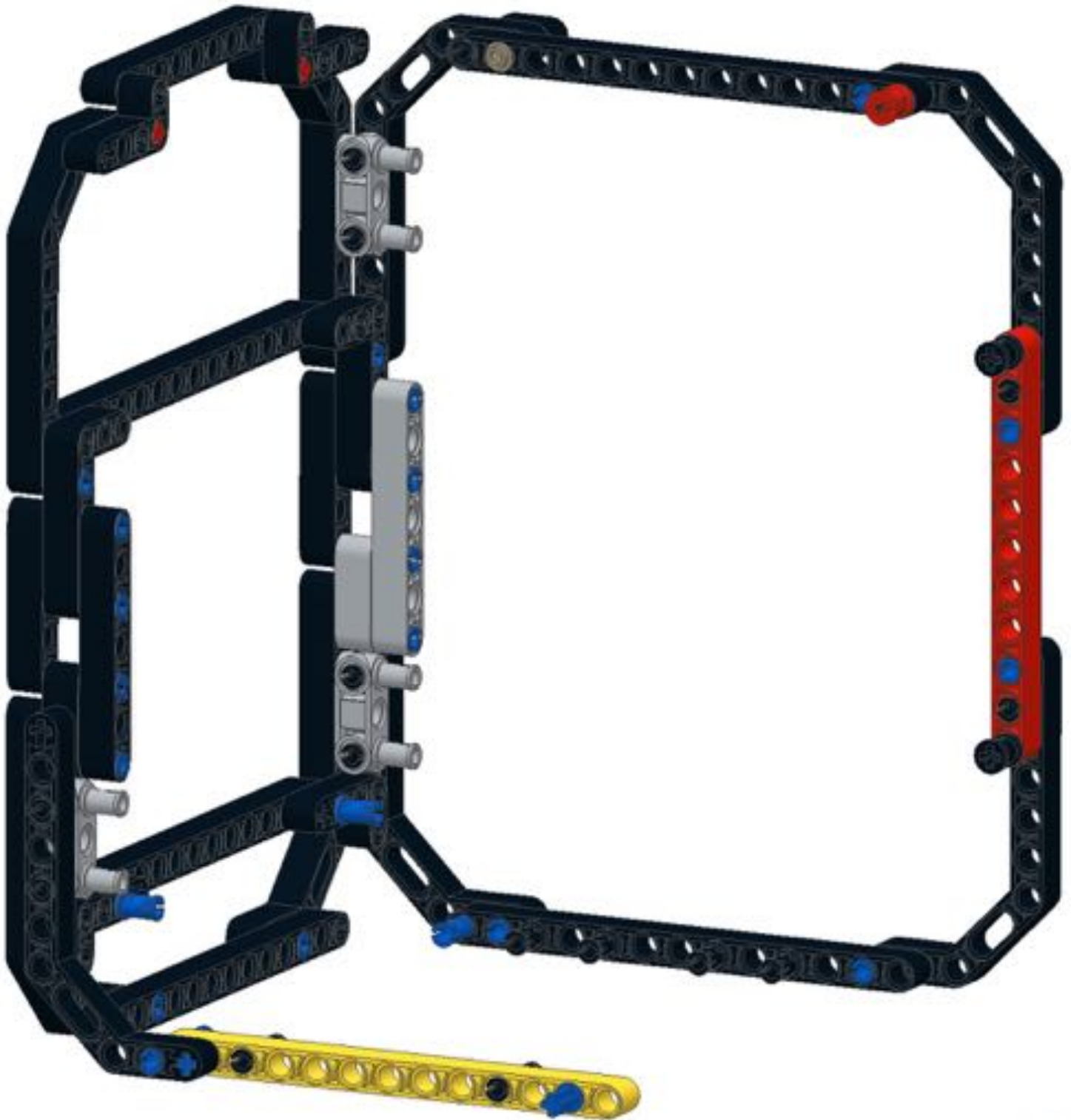
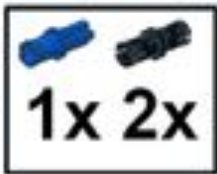


57



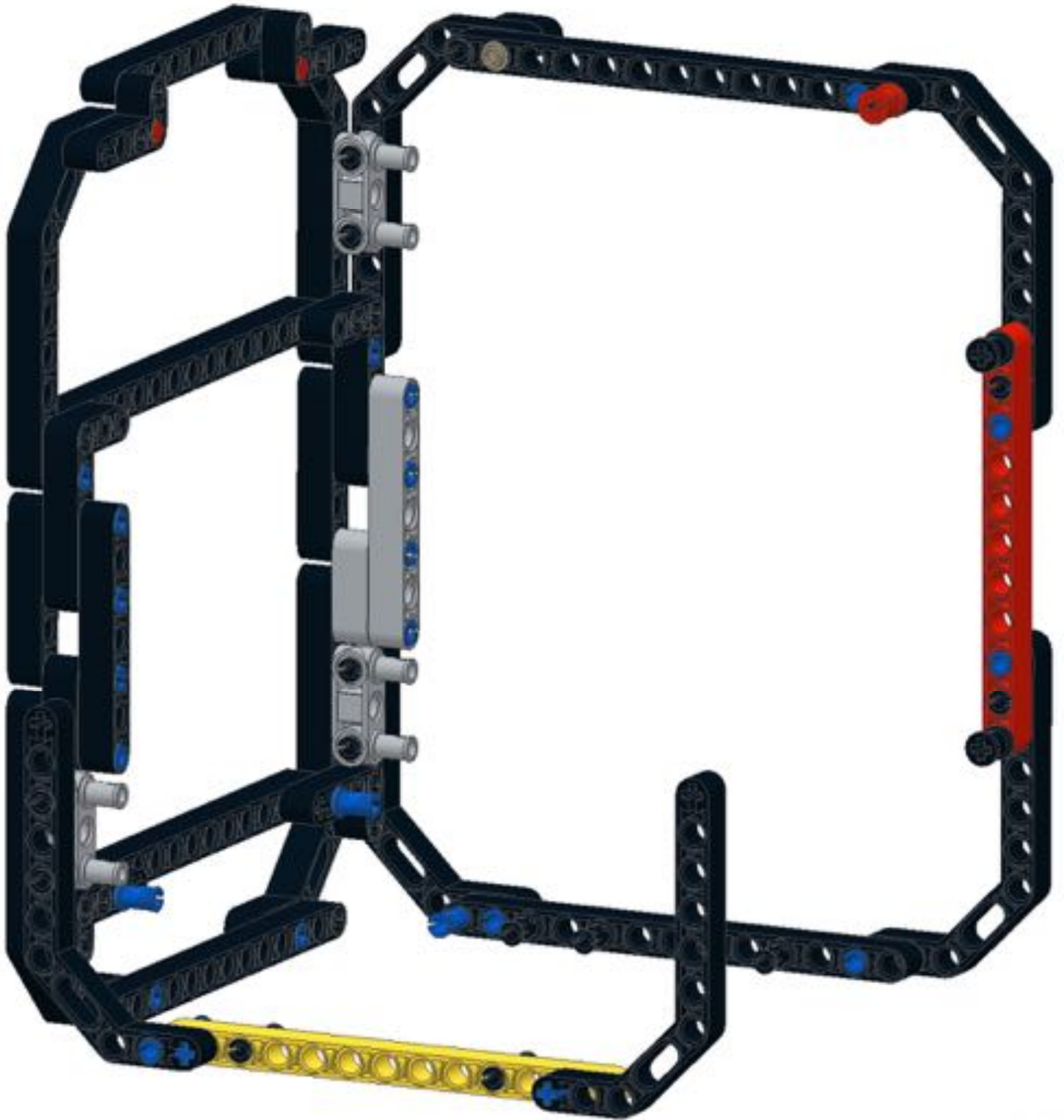
57

# 58




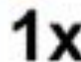


58

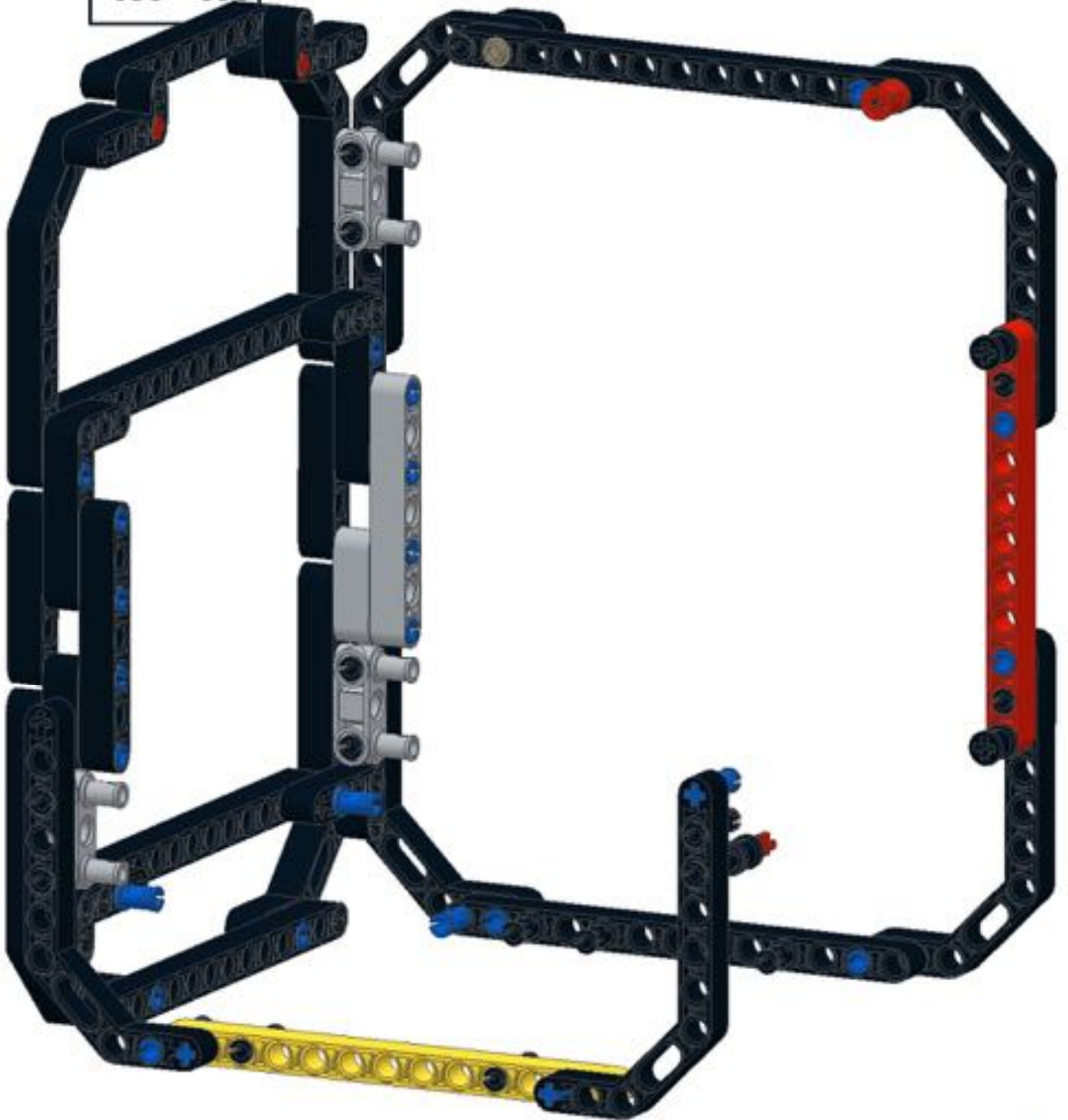
59



59

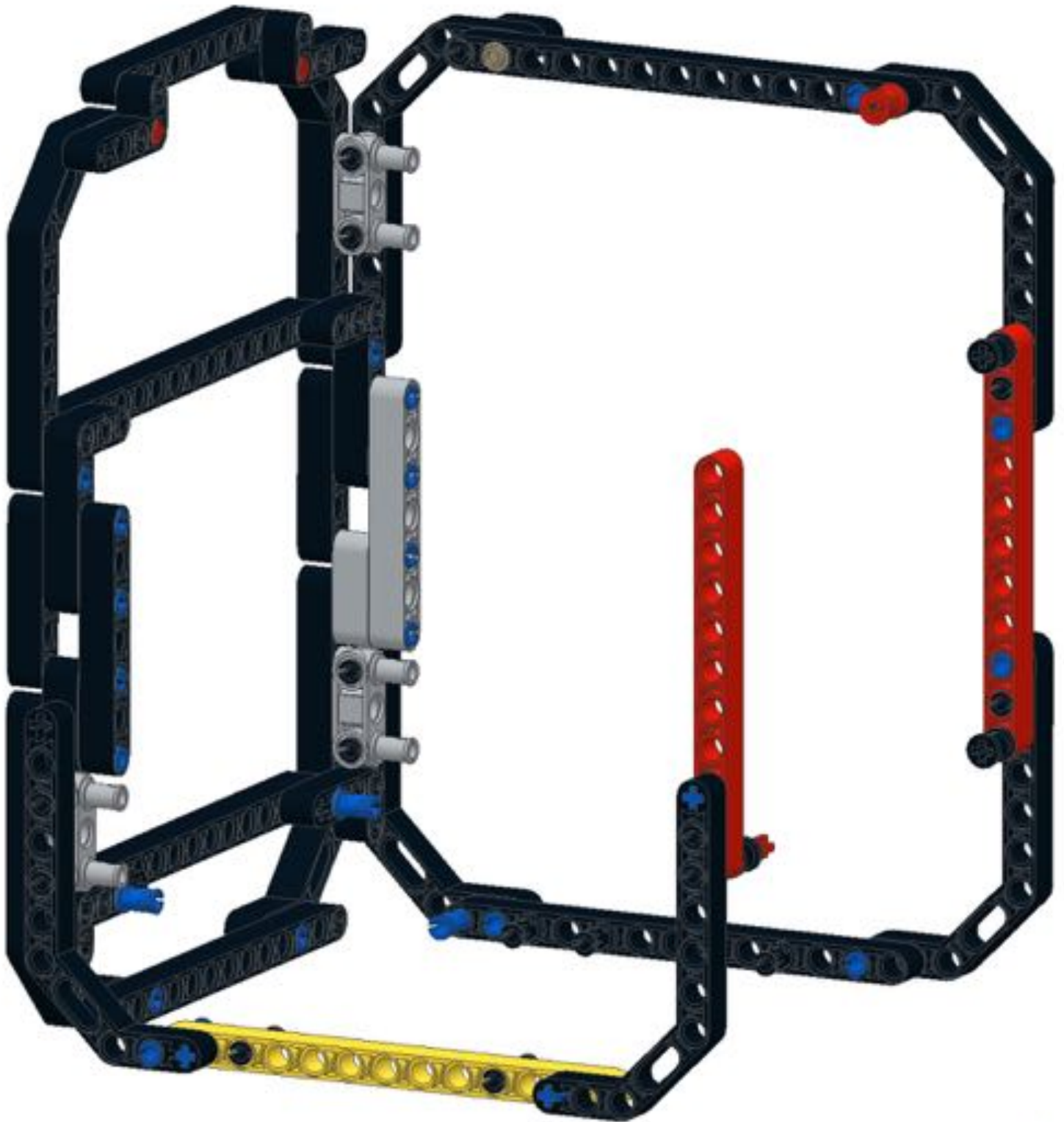
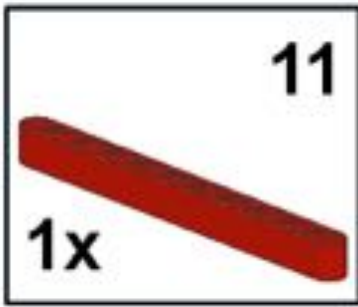
60

	1x		1x
1x		2	
1x		1x	
1x		1x	



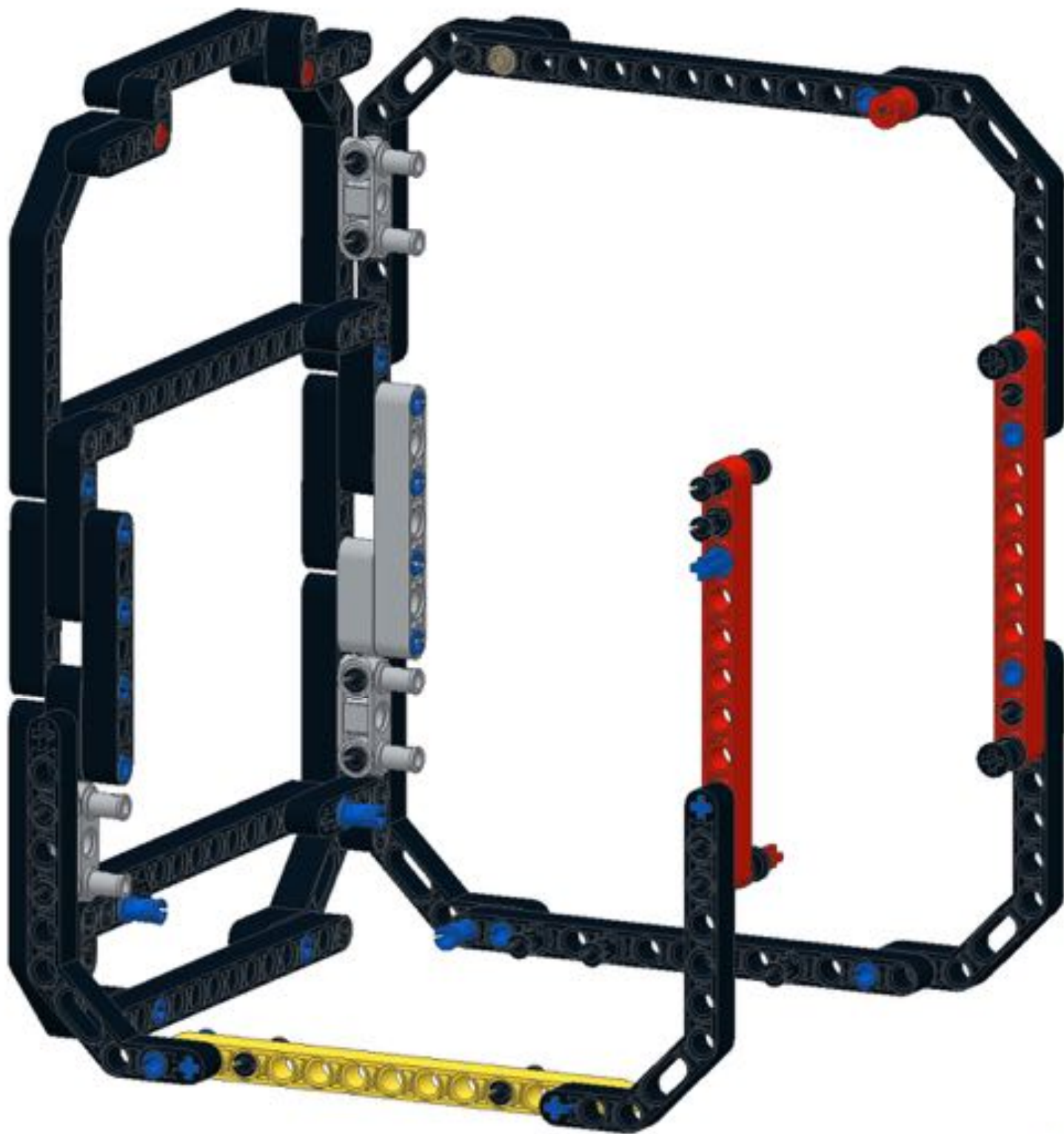
60

61



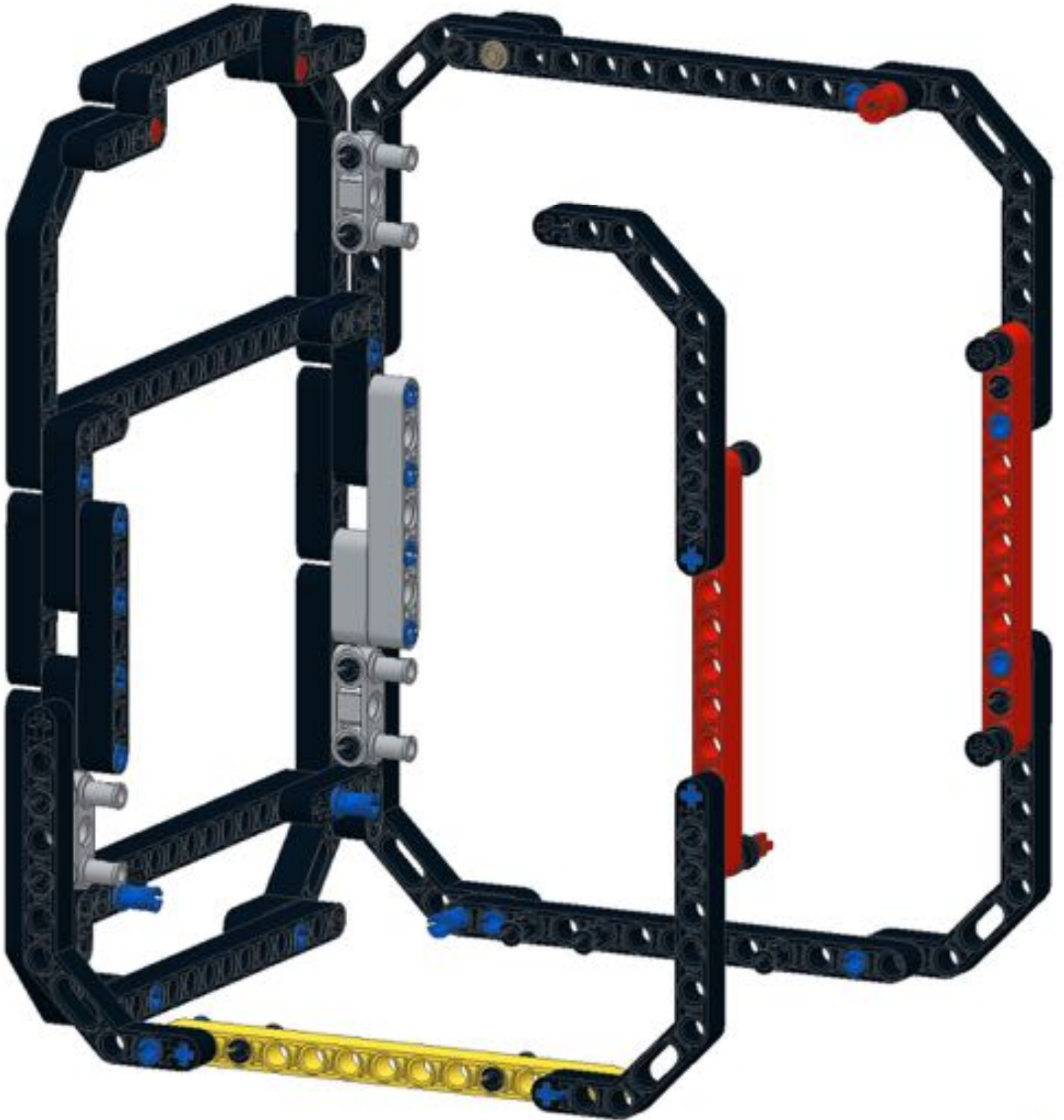
61

# 62



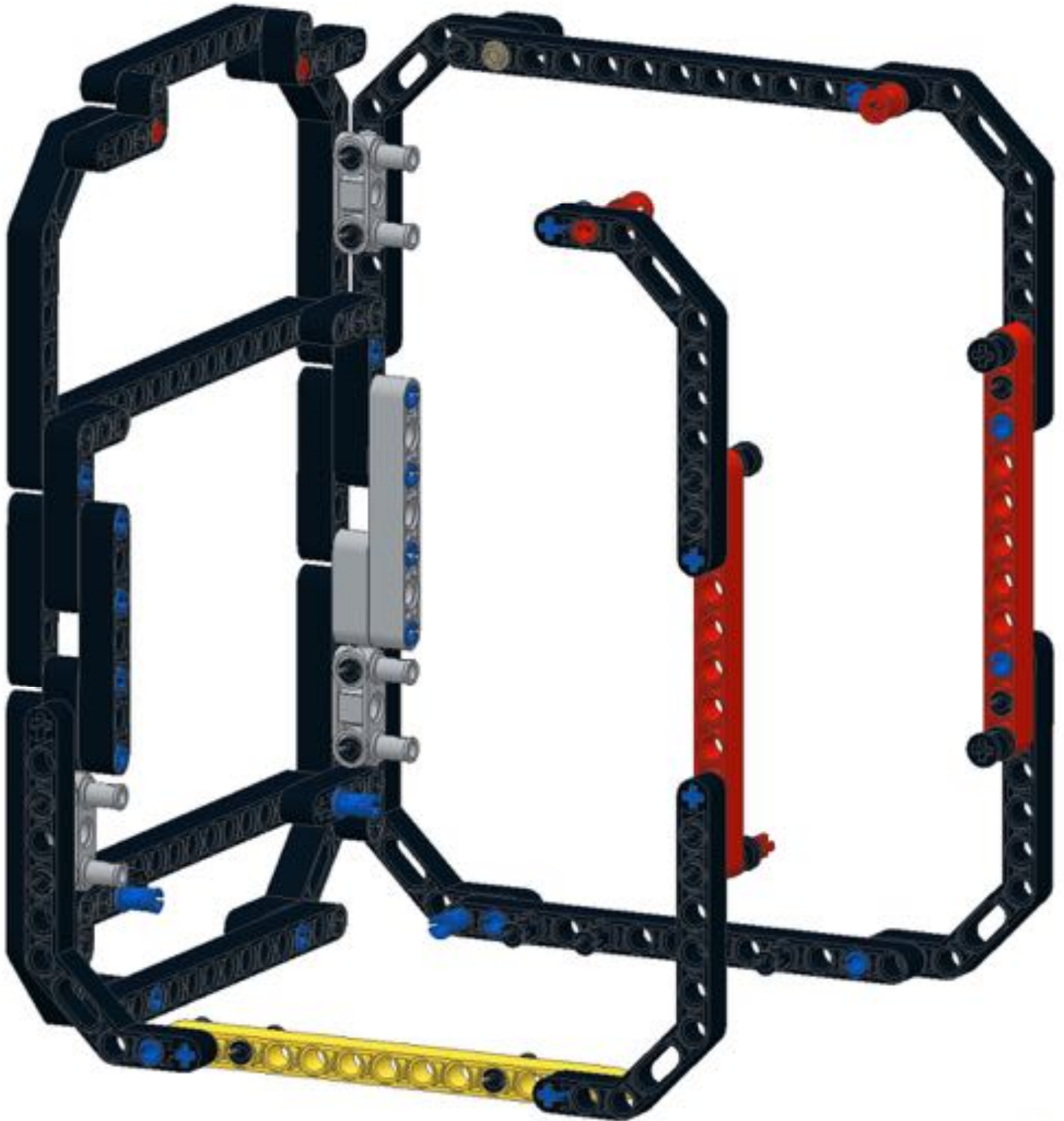
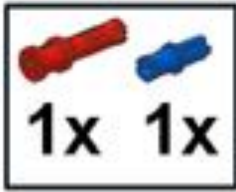
62

63



63

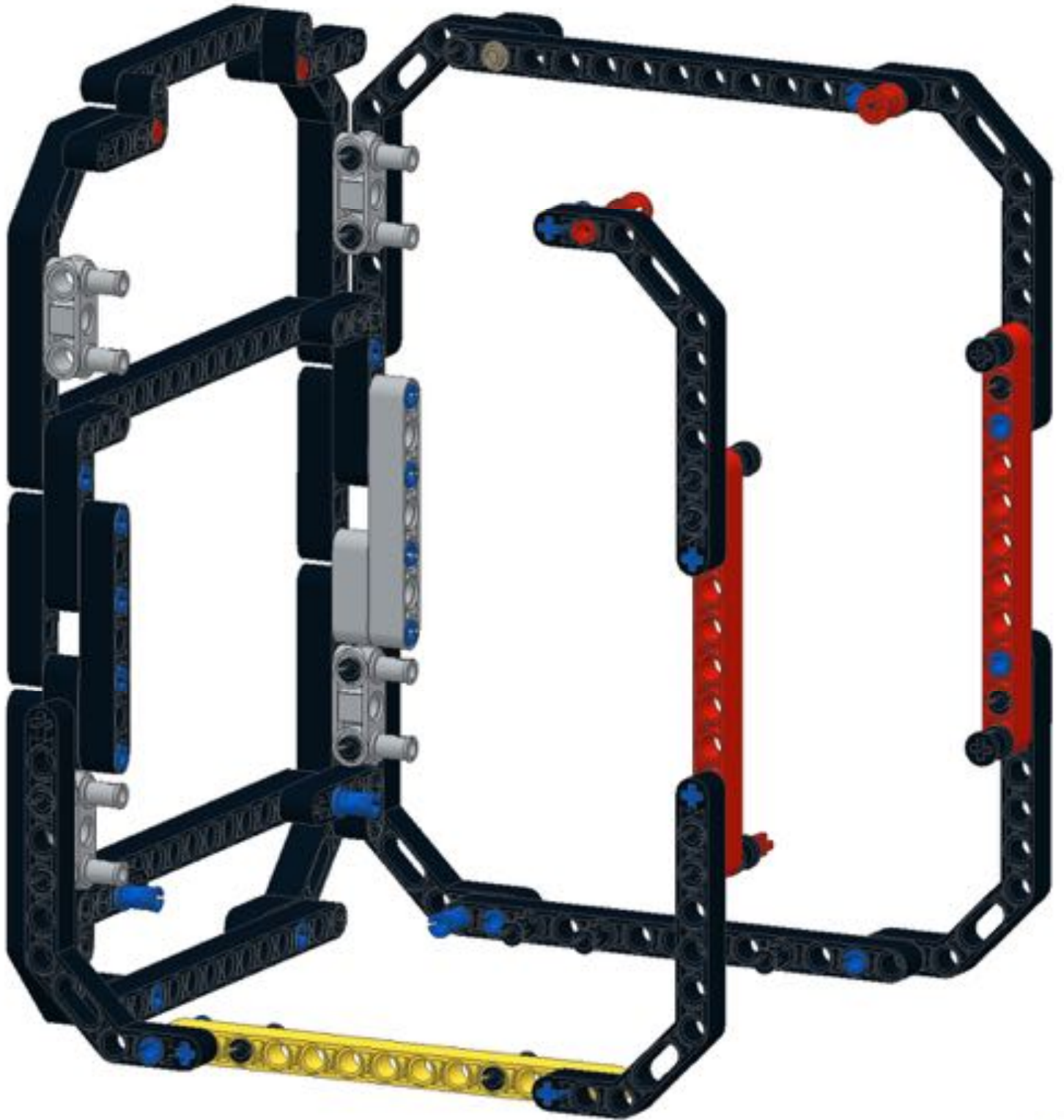
64



64

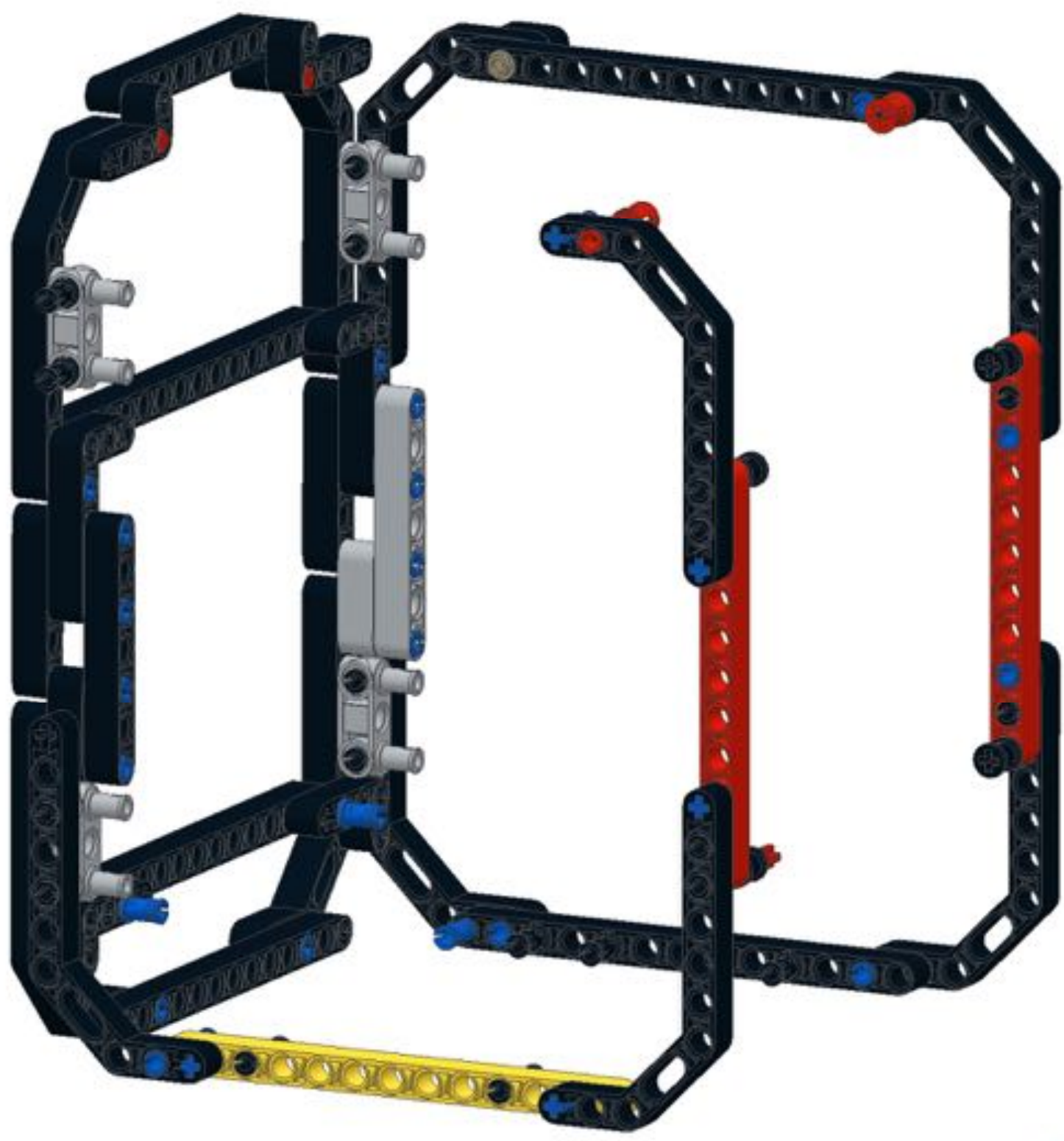


65

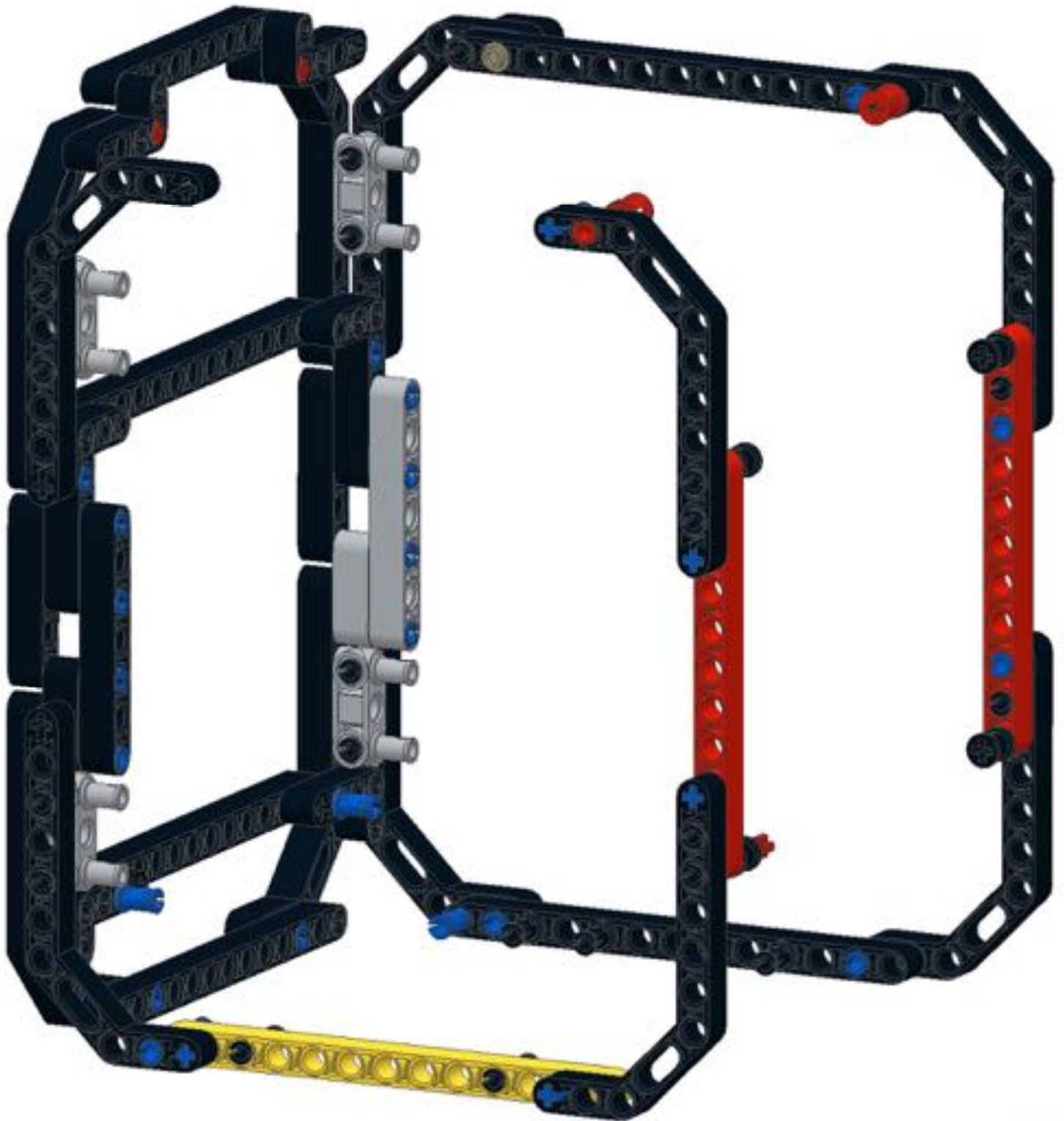


65

66  2x

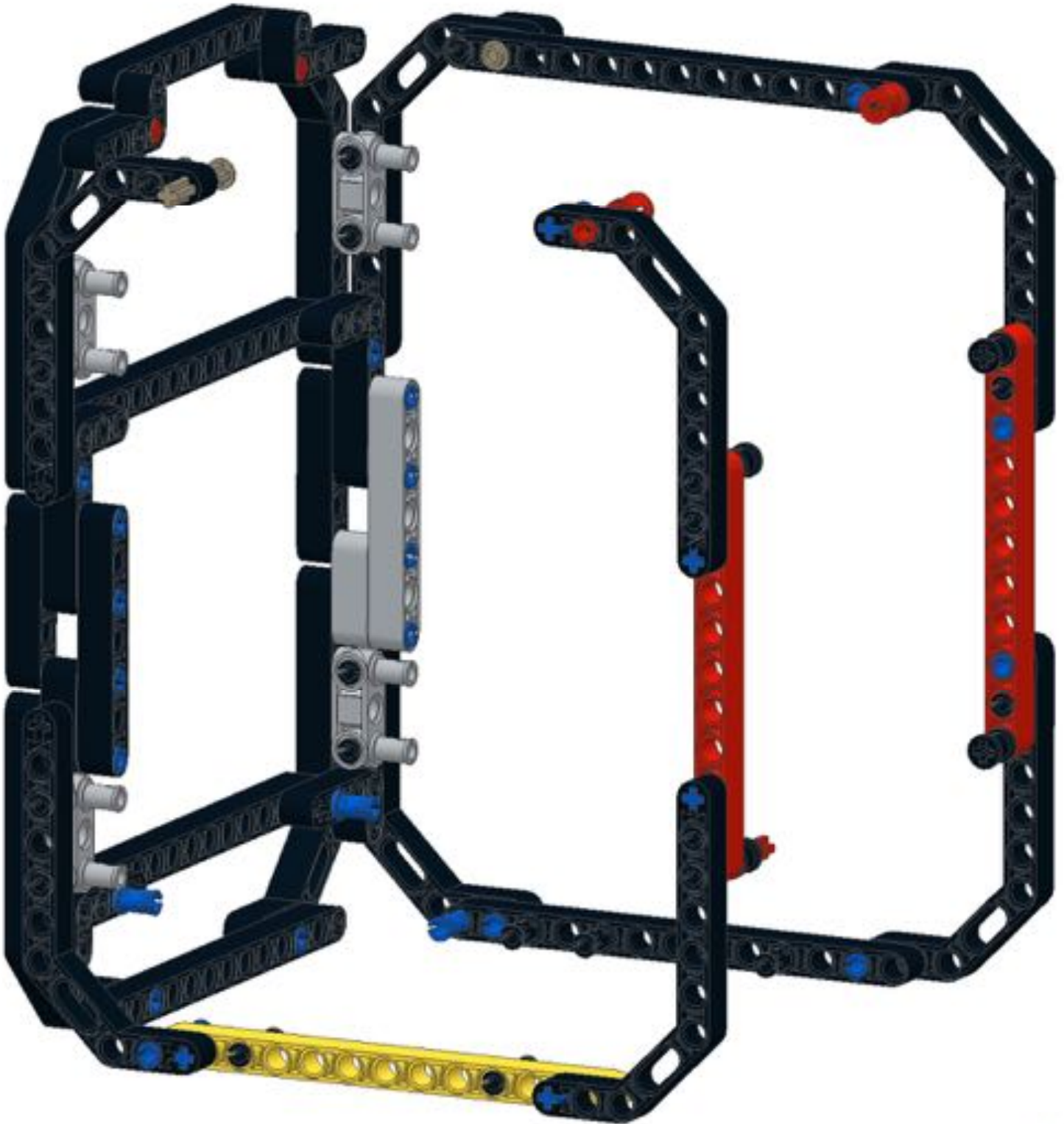


67



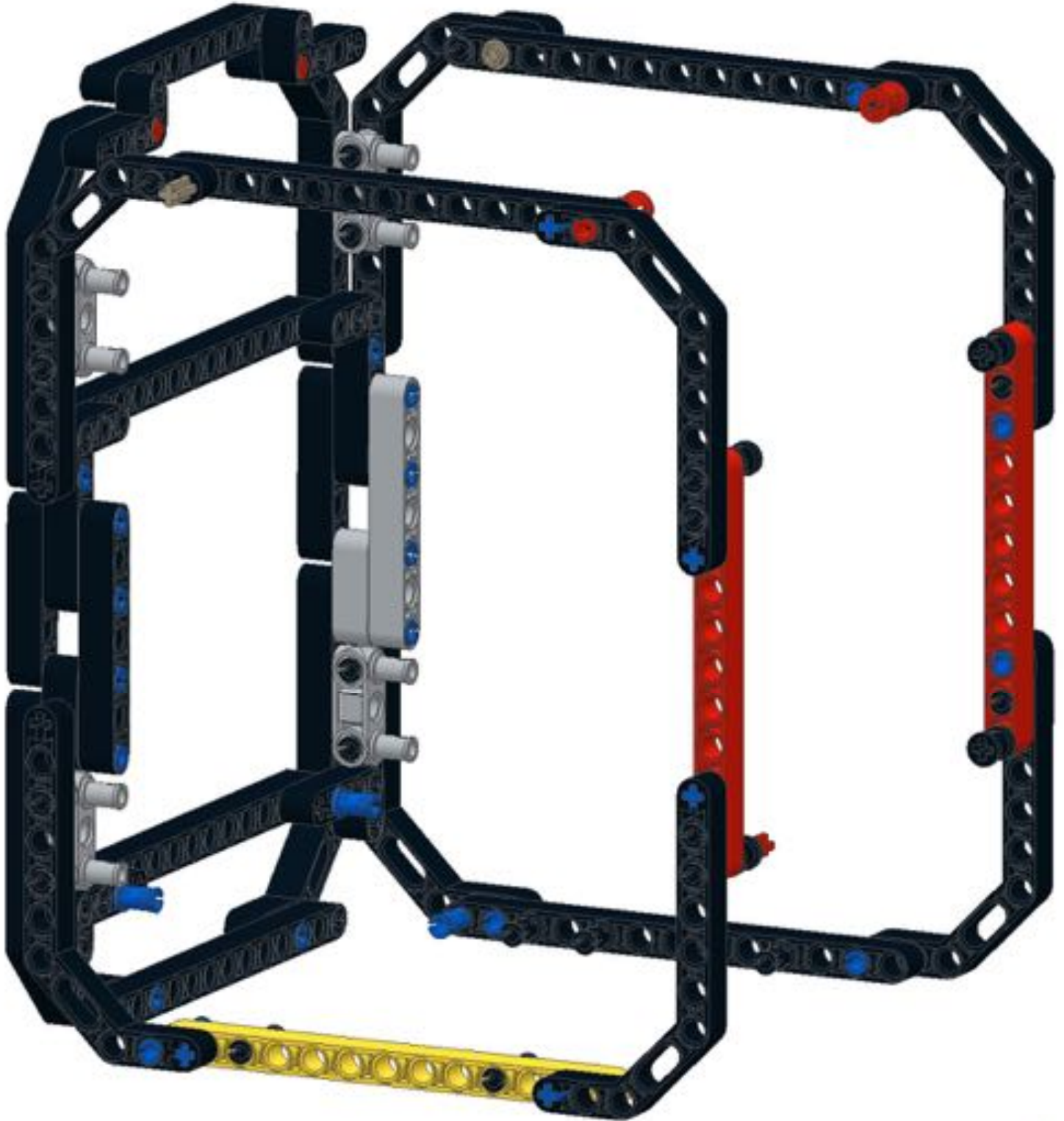
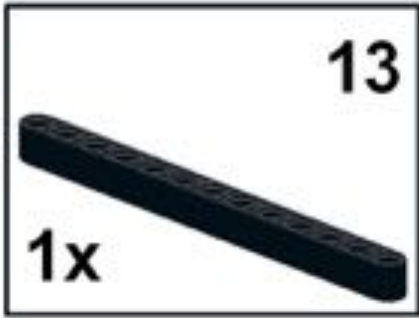
67

68



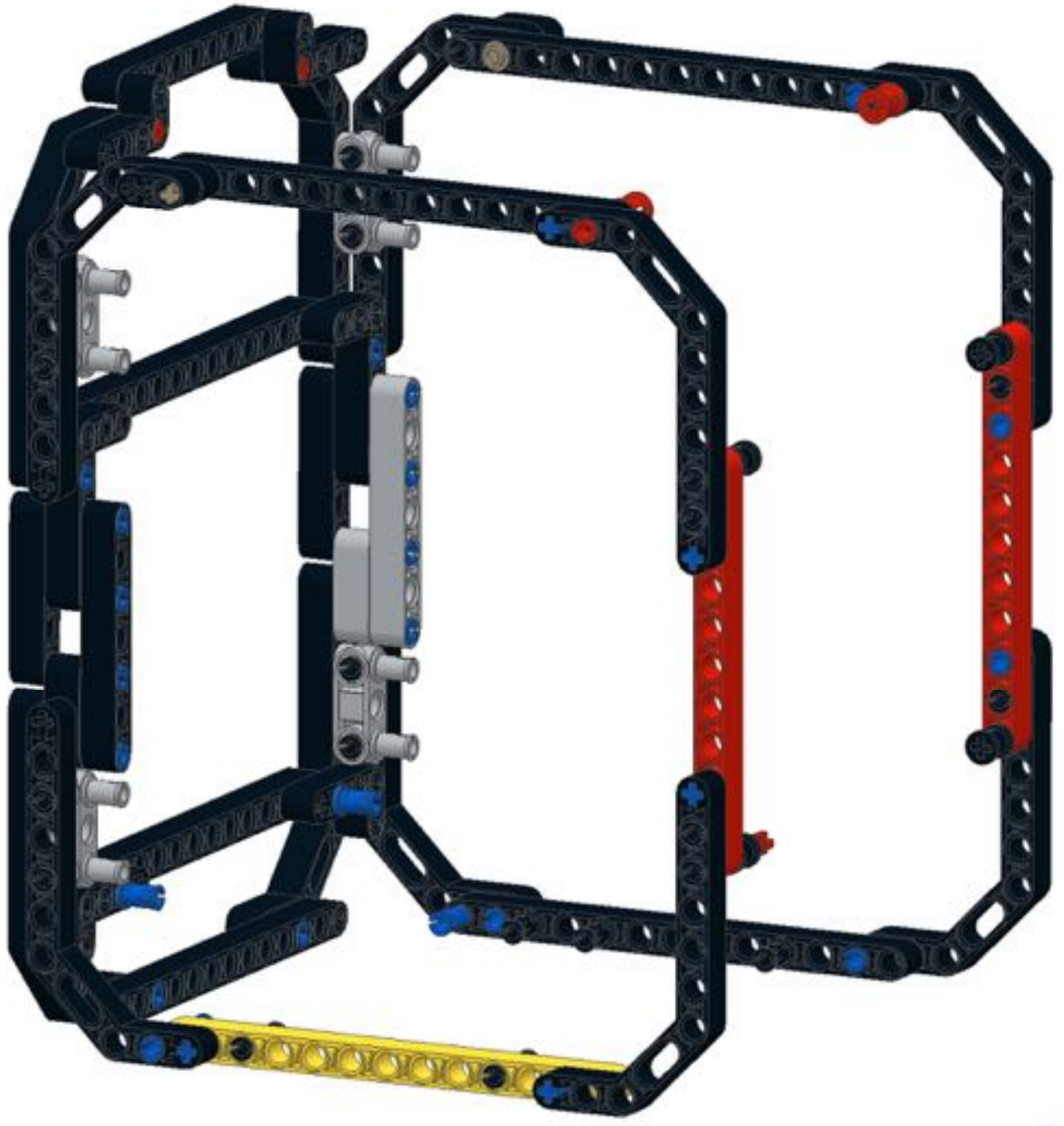
68

69

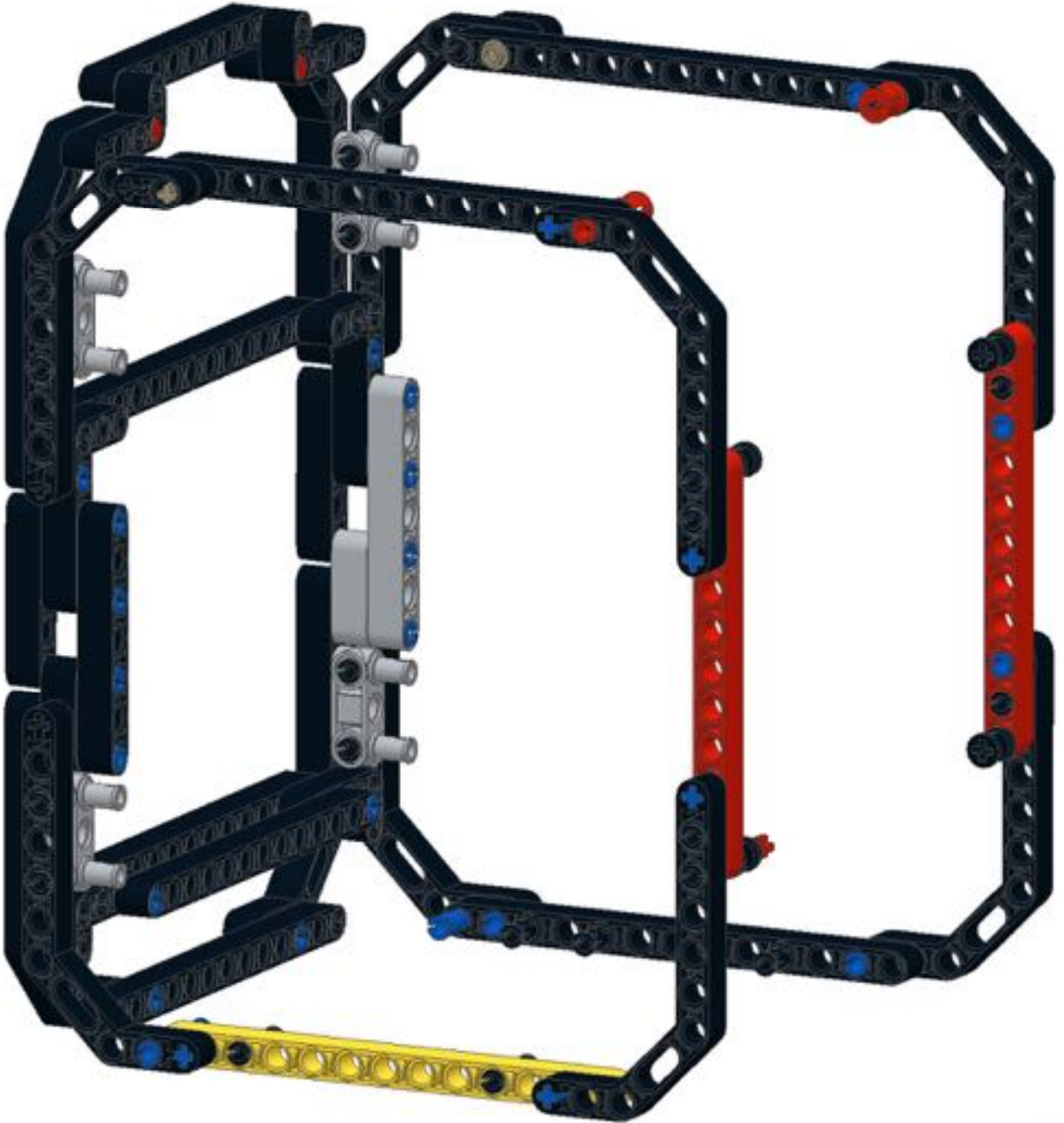
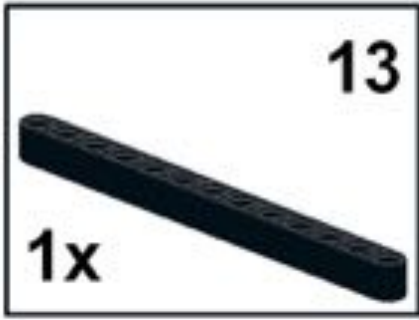


69

70  1x

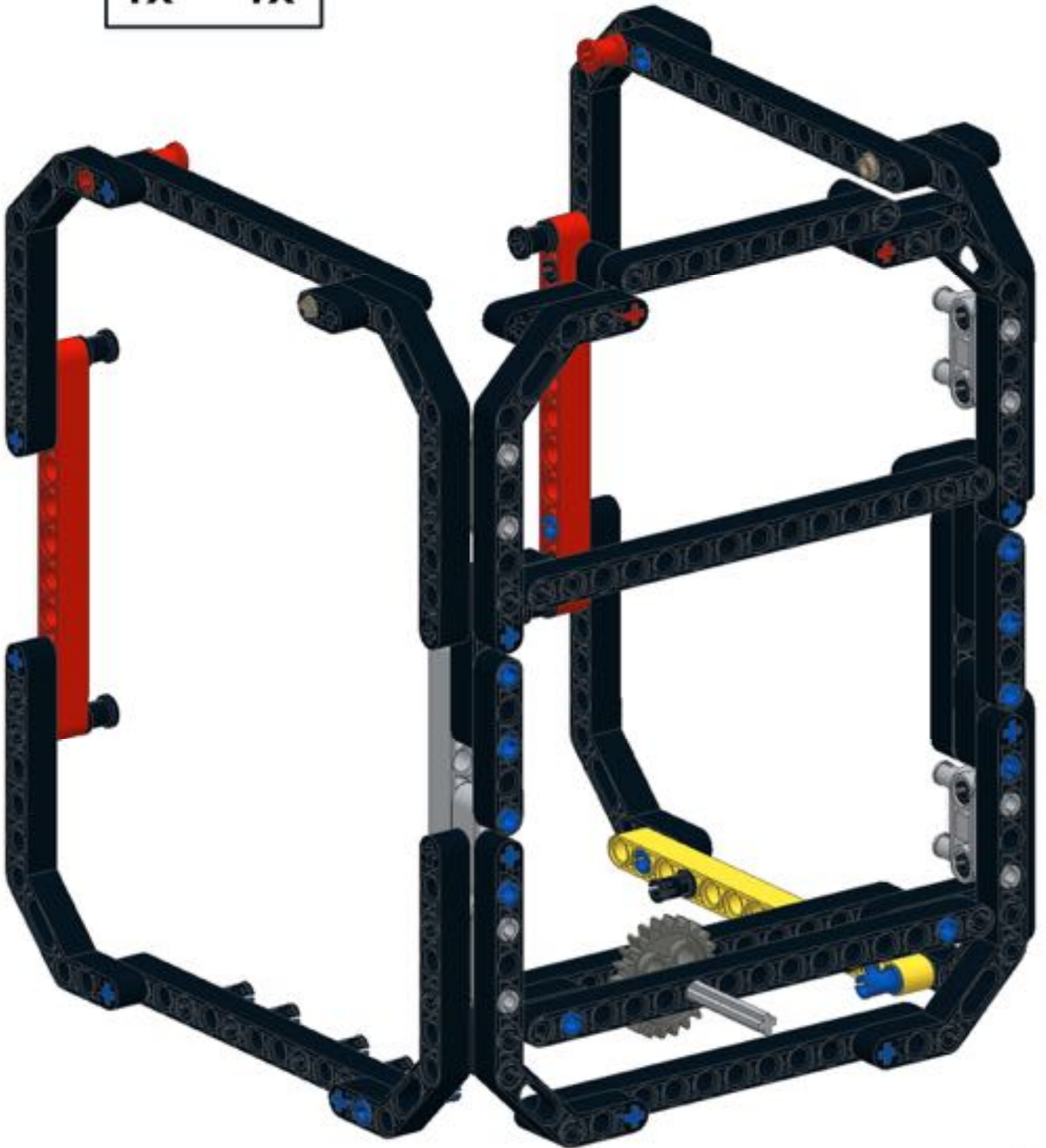


71



71

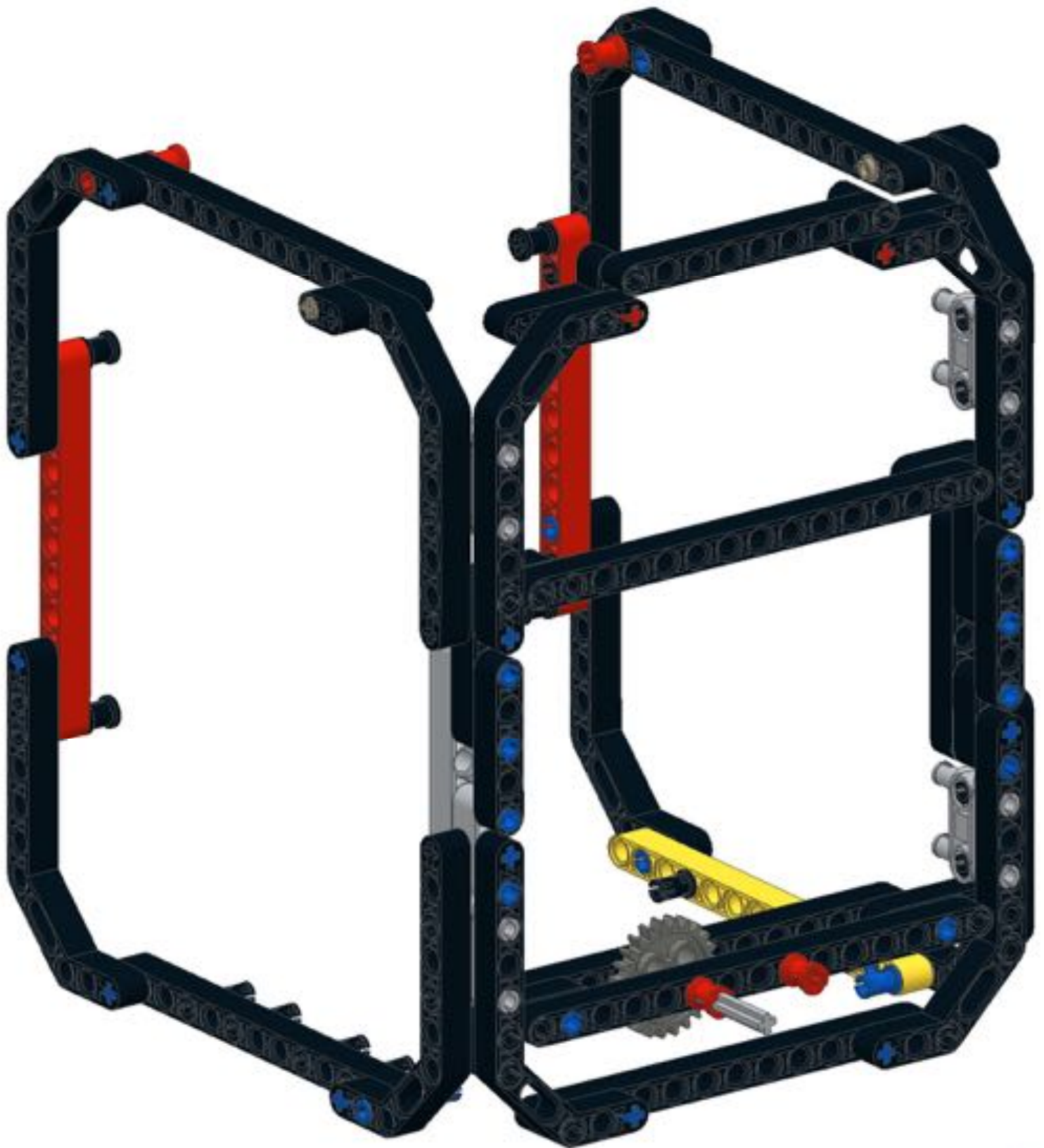
# 72



72

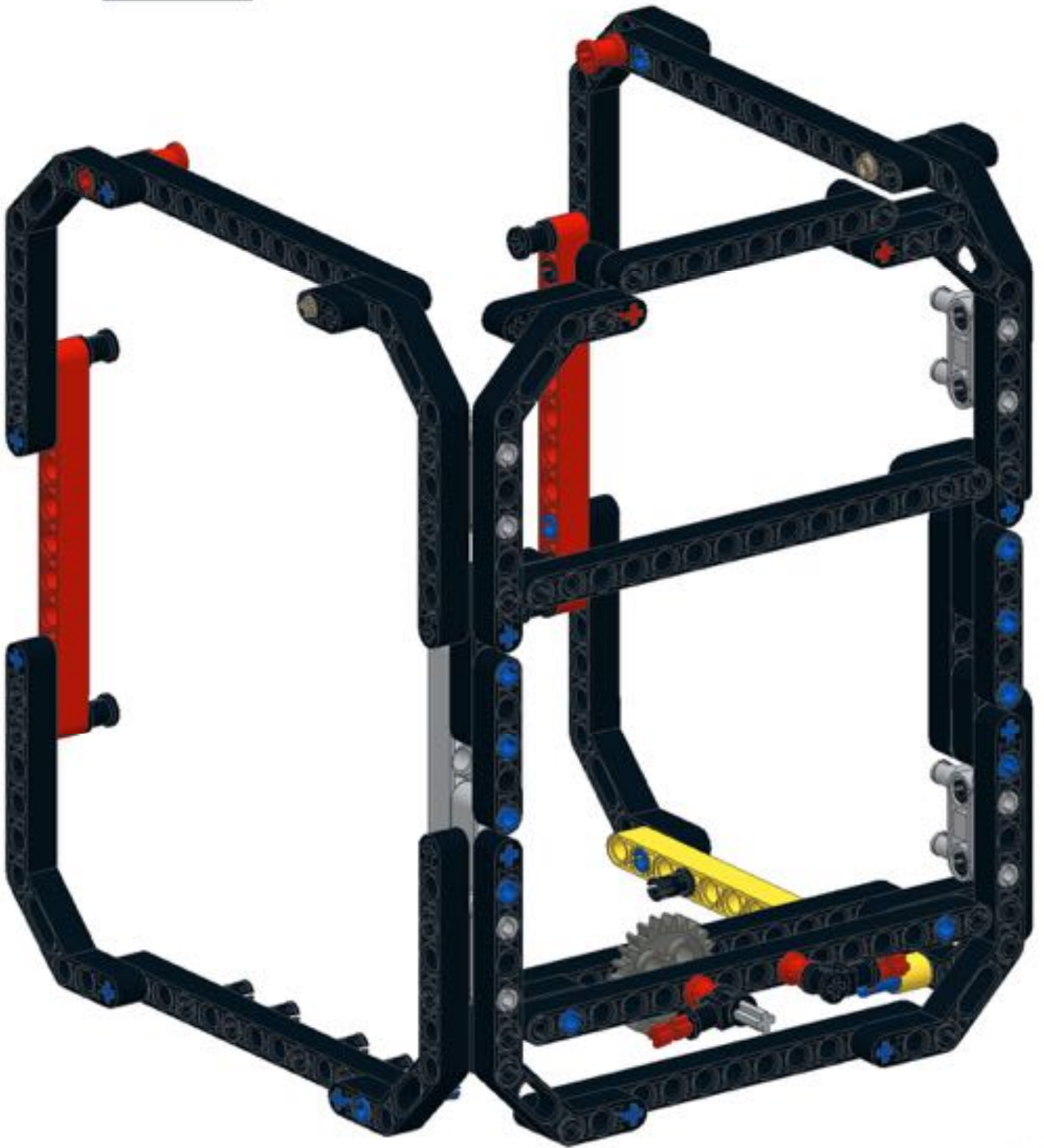


# 73



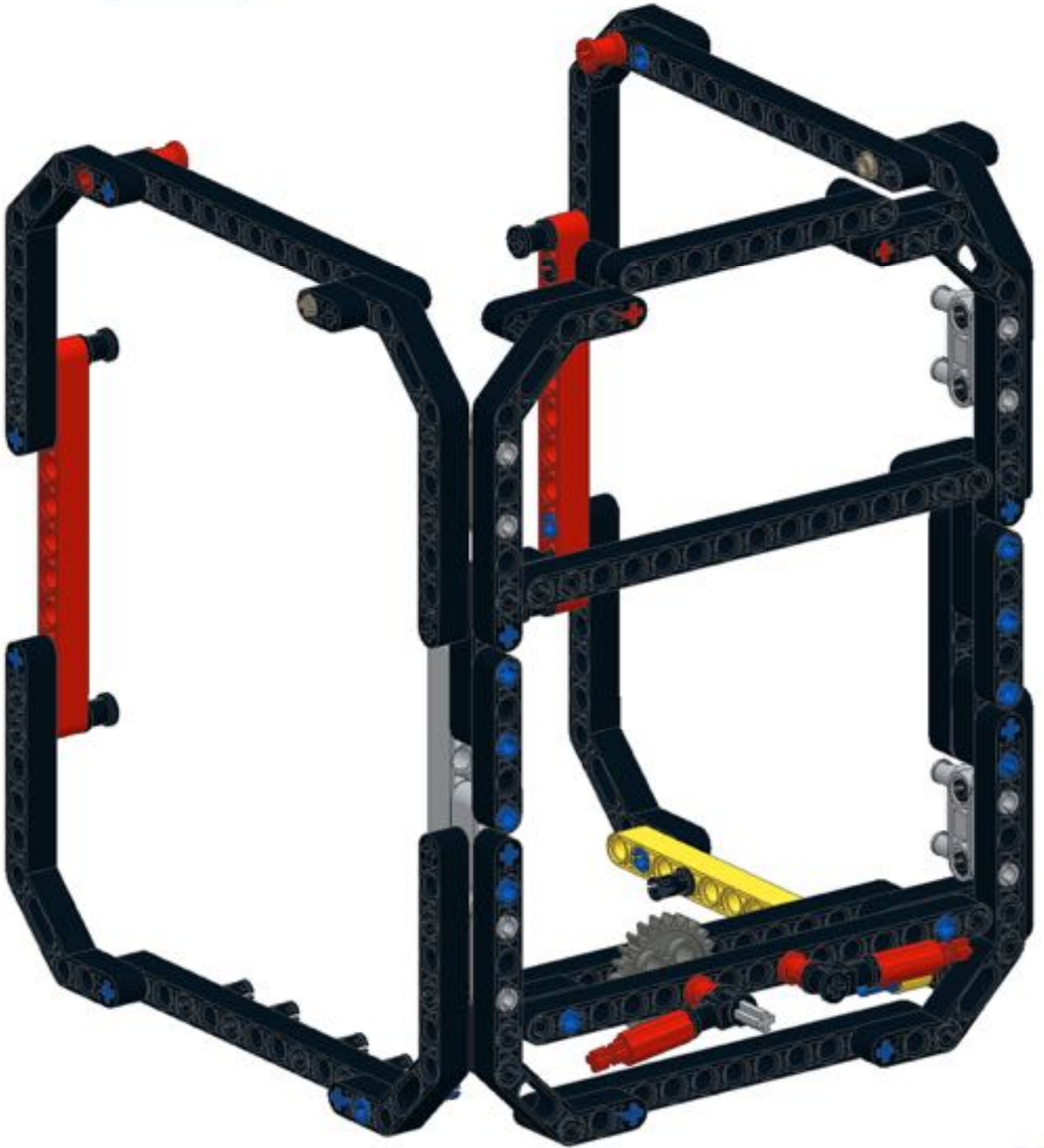
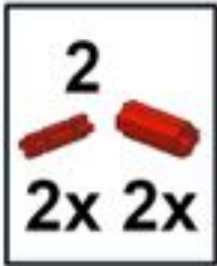
73

# 74



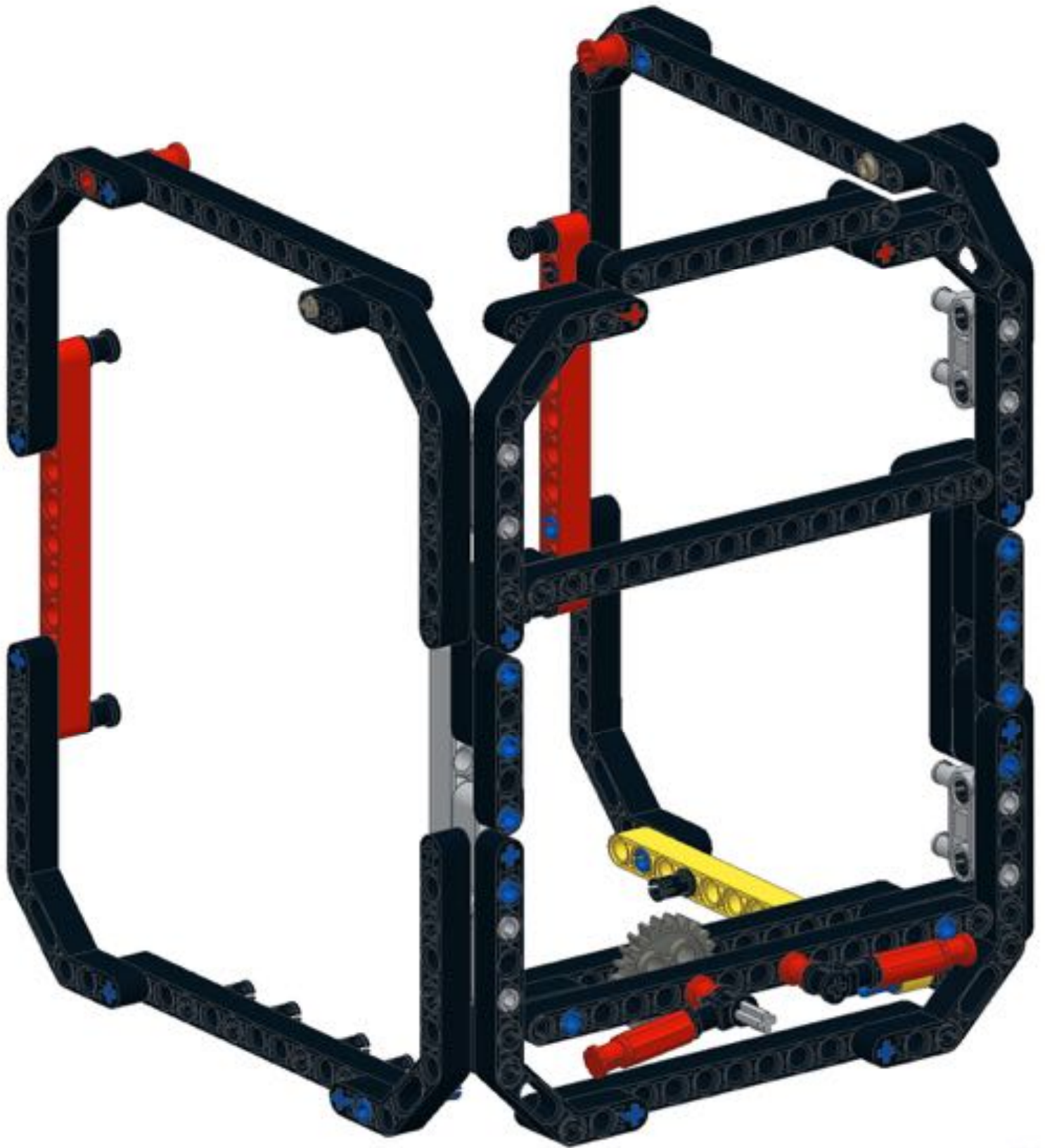
74

# 75



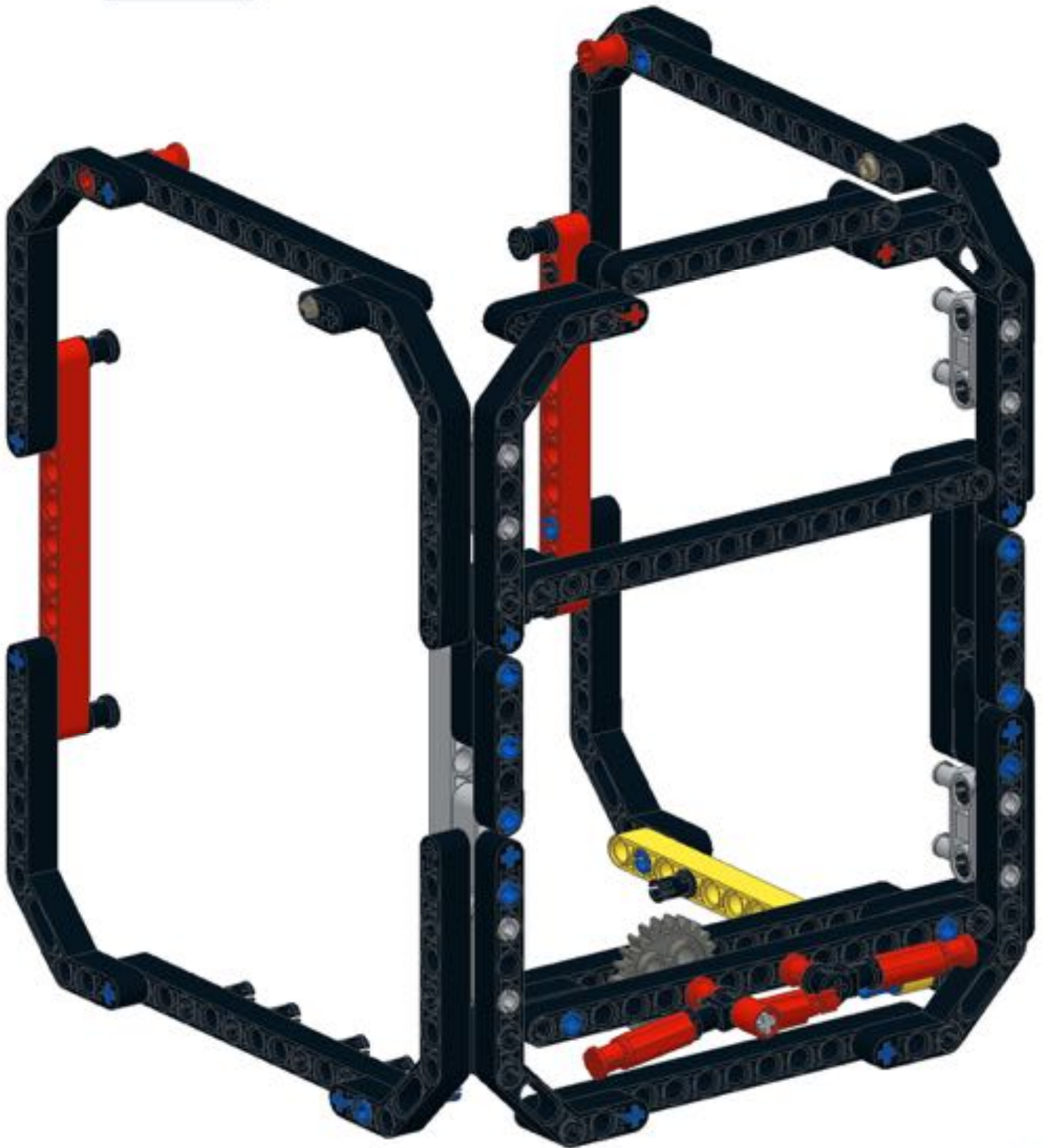
# 75

76  2x



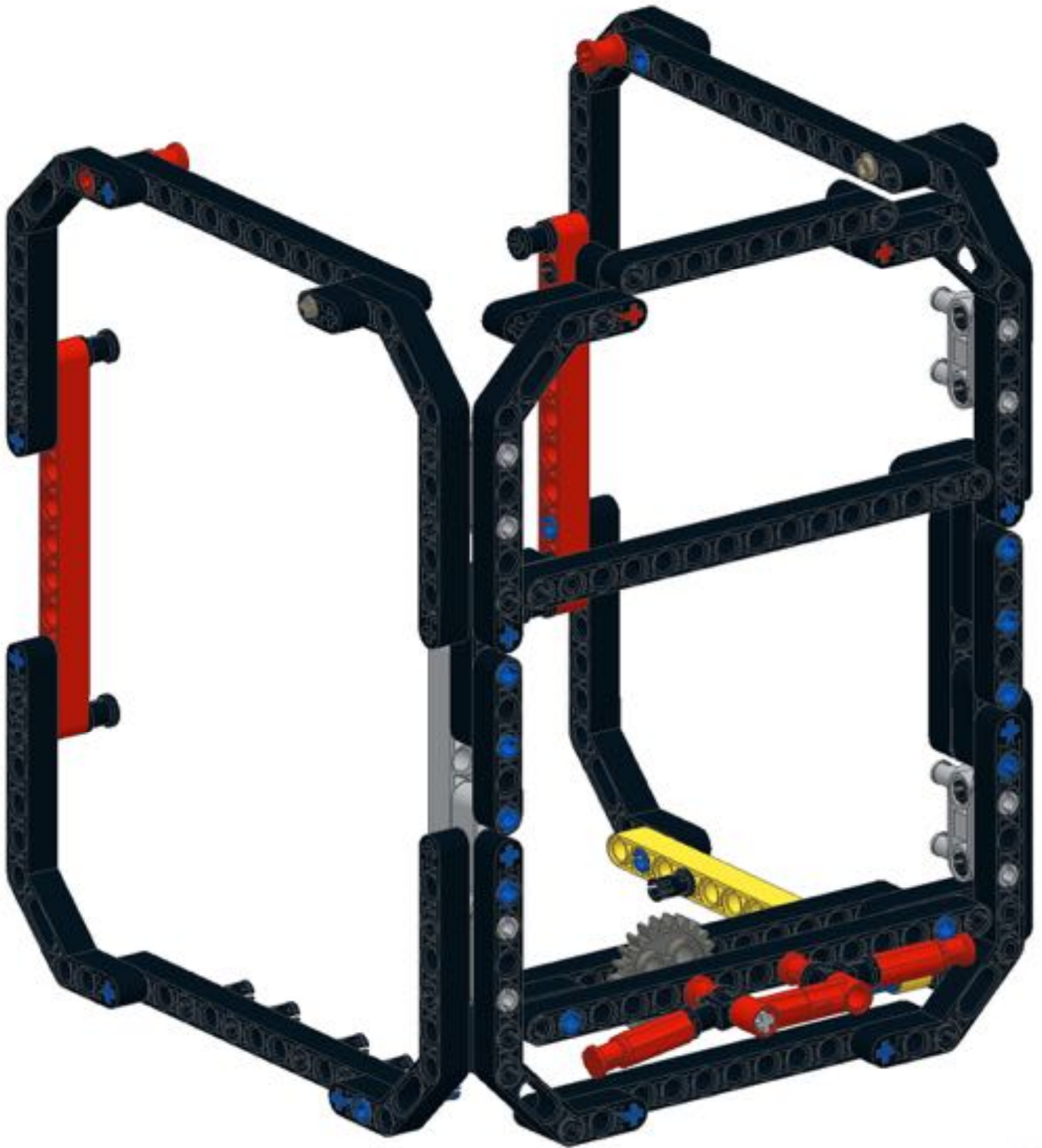
76

77



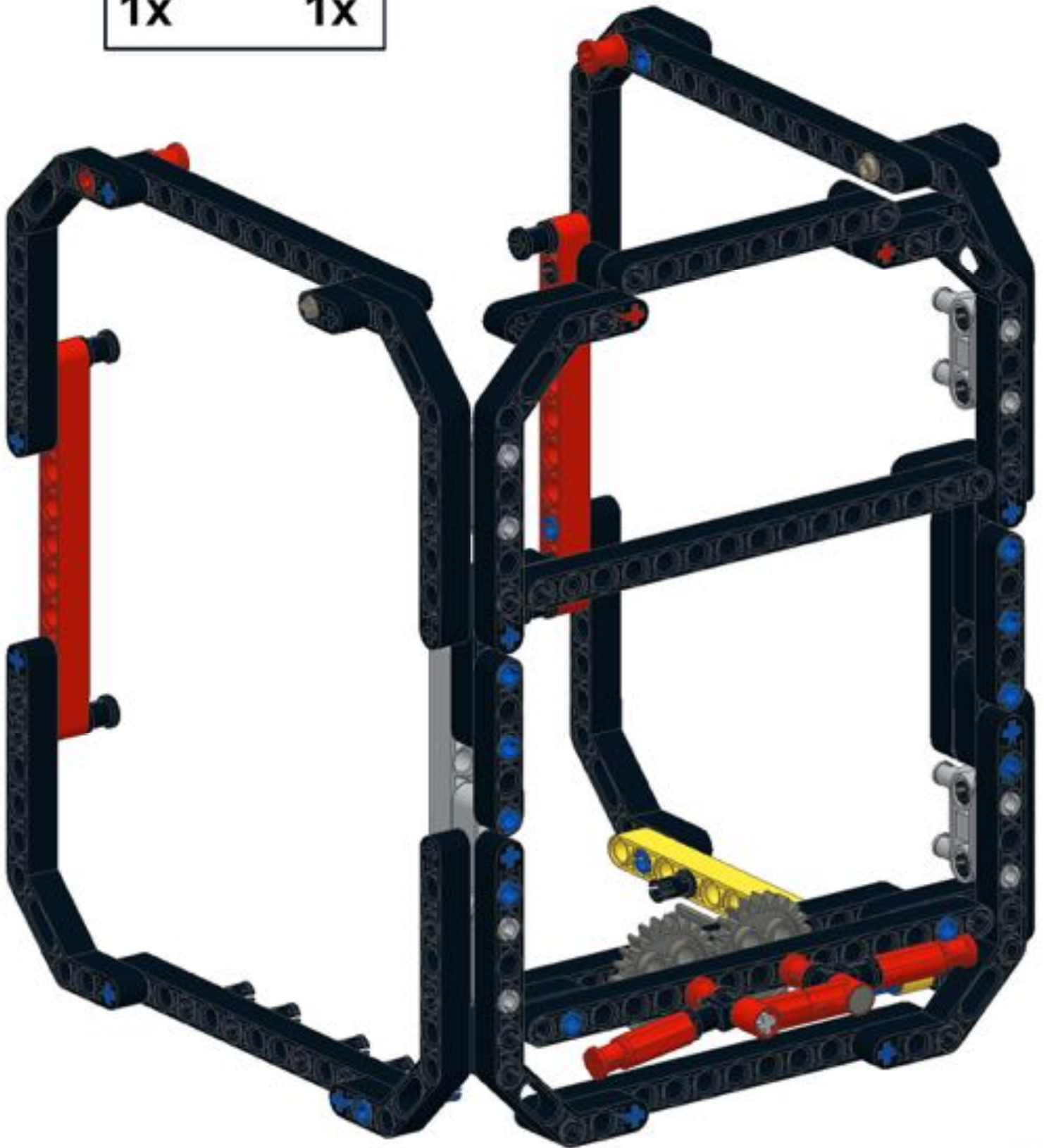
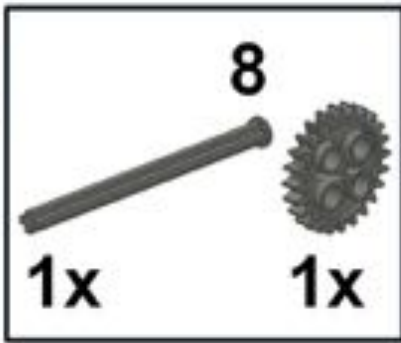
77

# 78



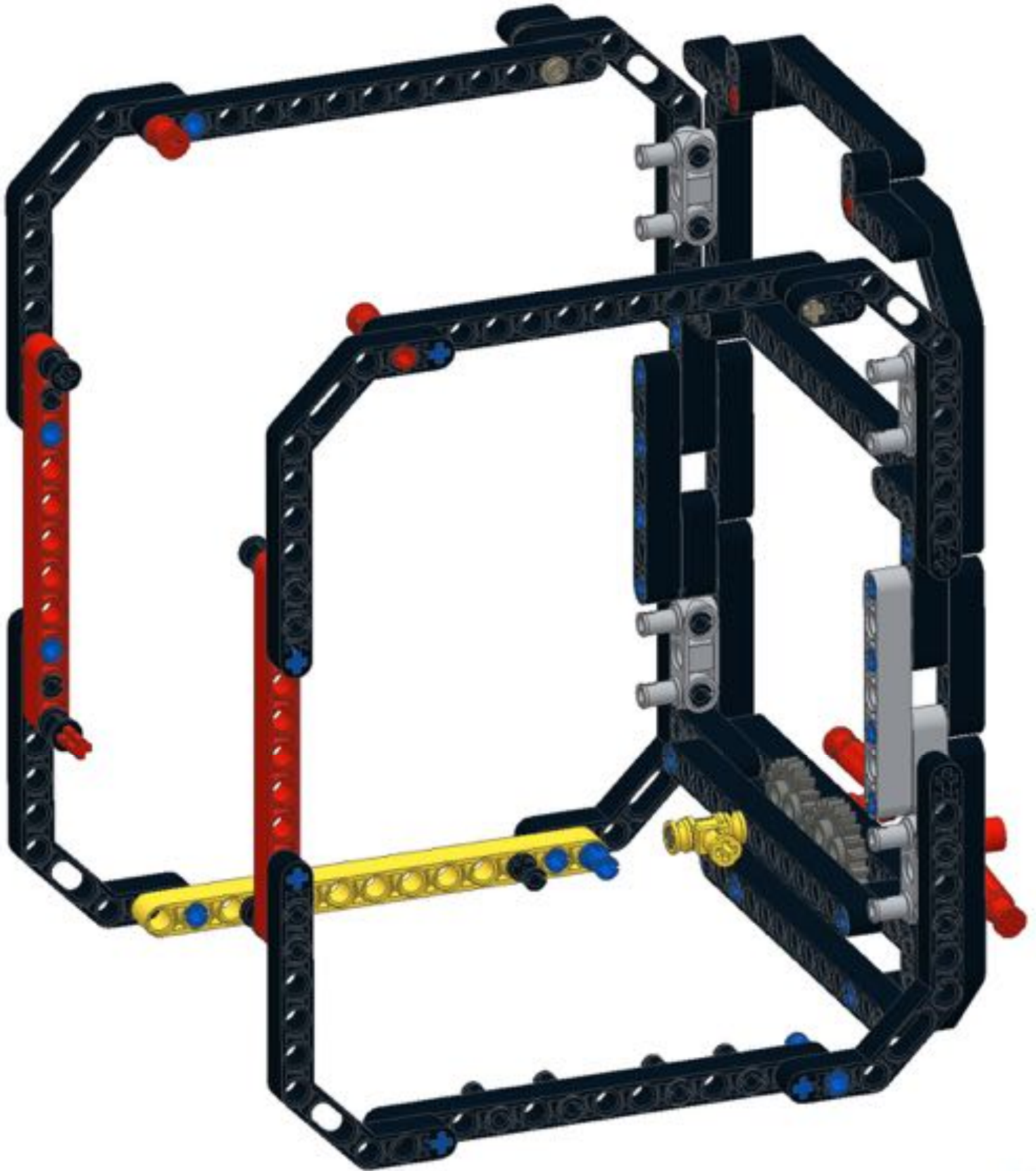
78

# 79



79

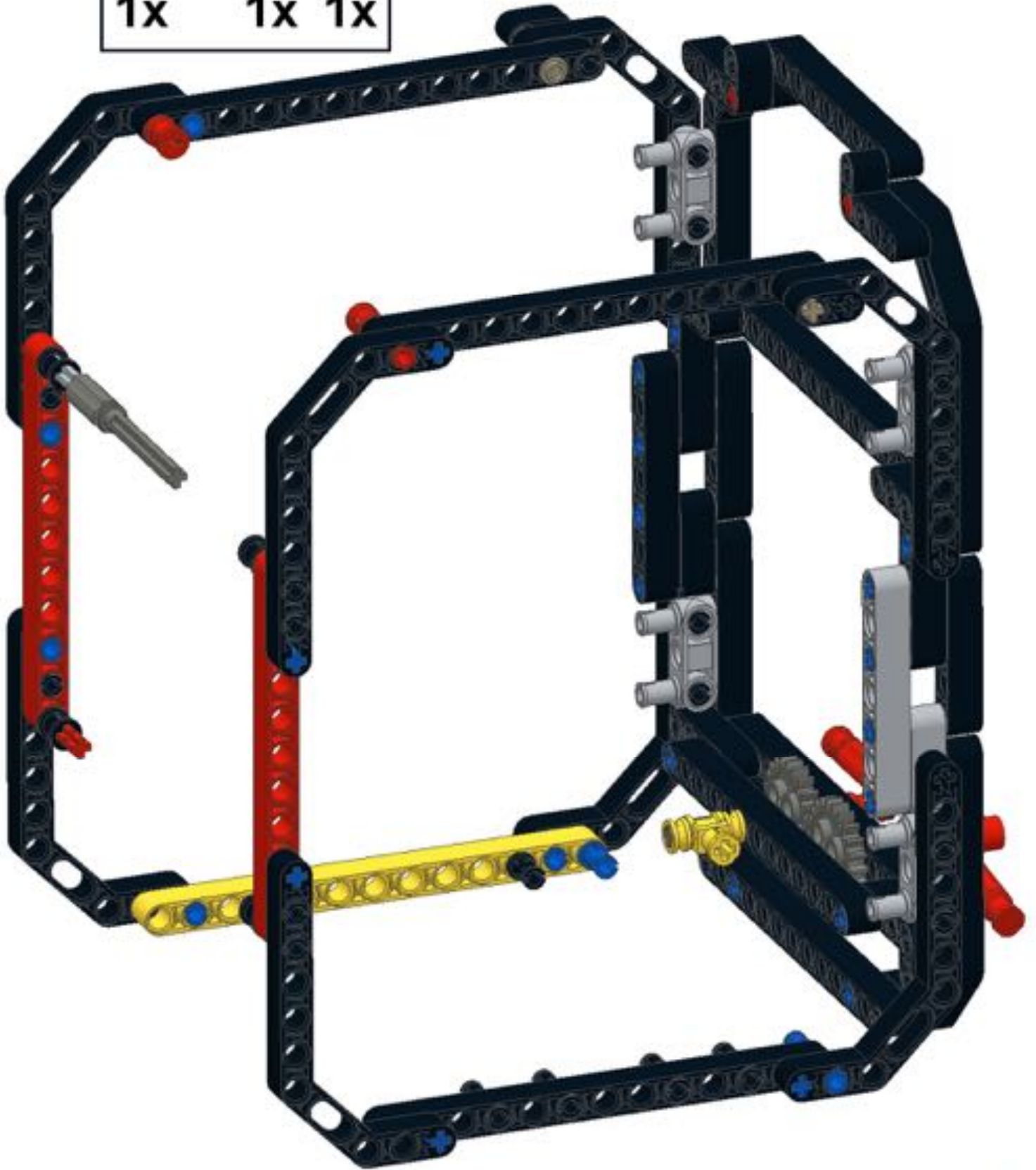
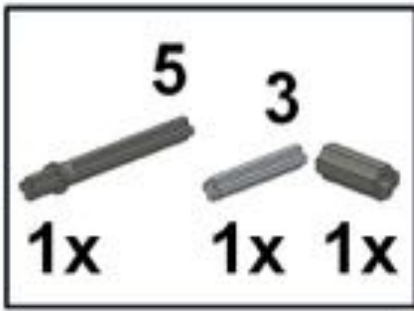
80



80

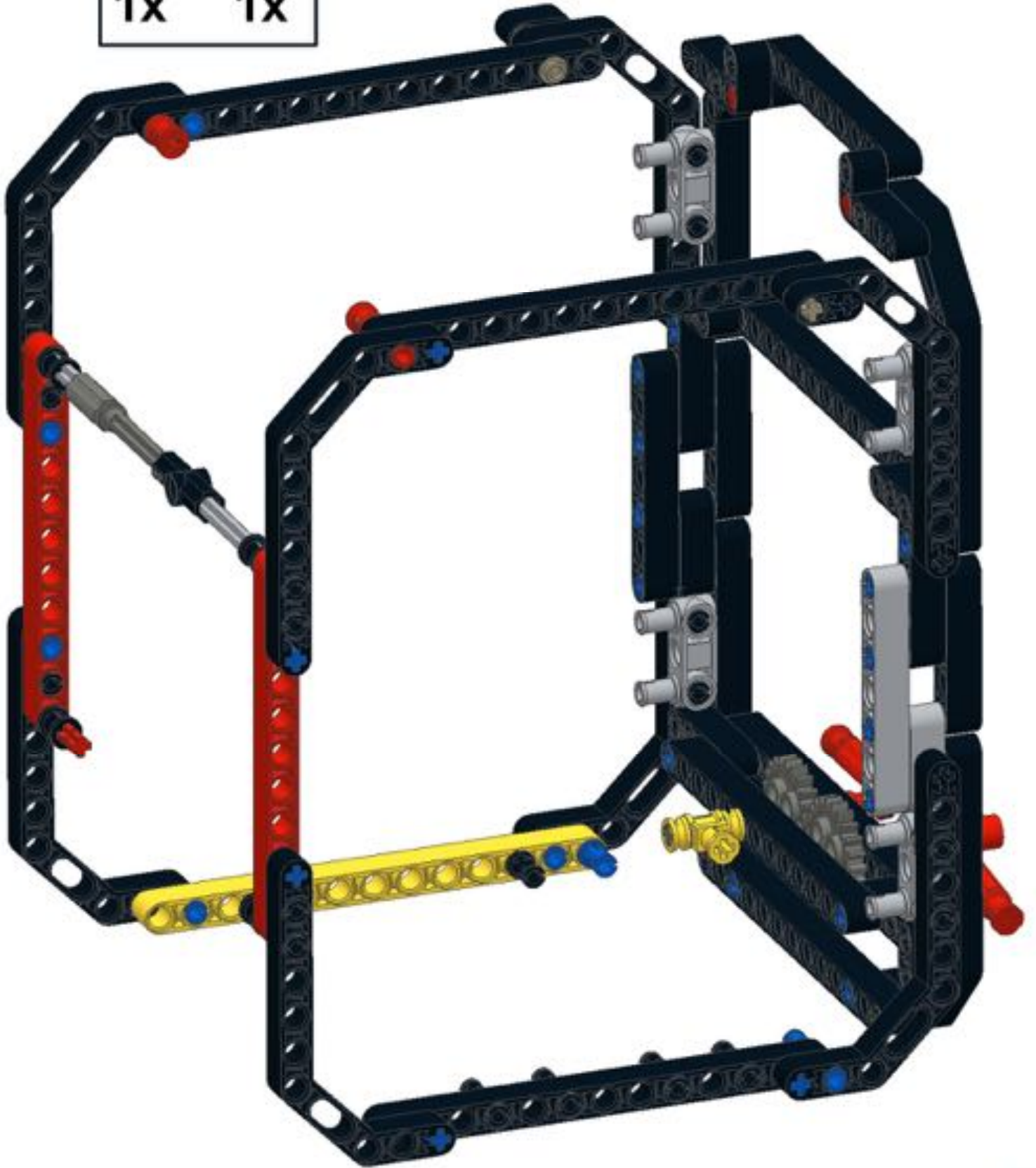


# 81



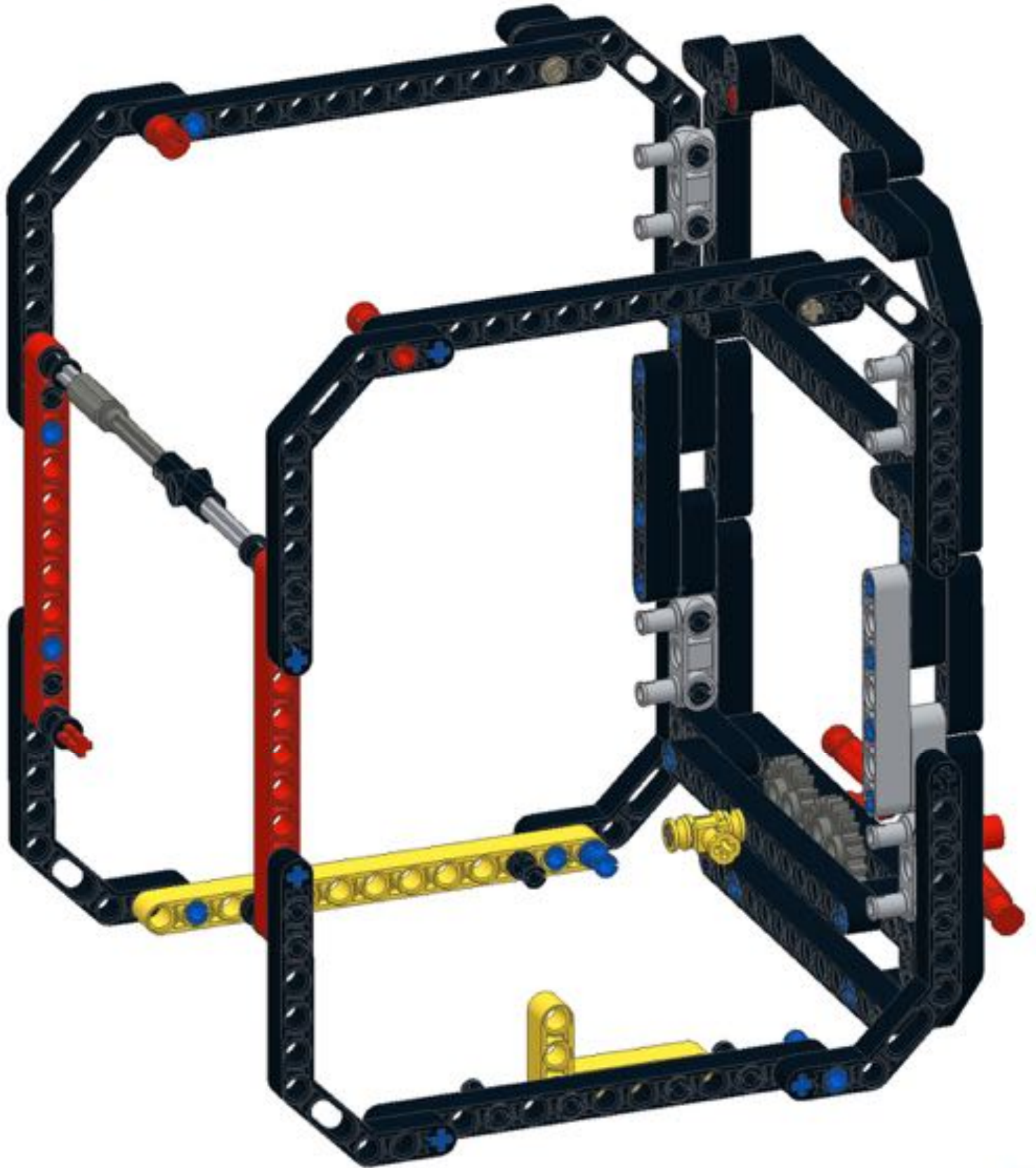
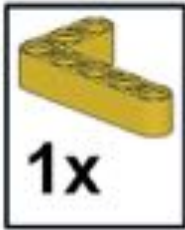
81

# 82

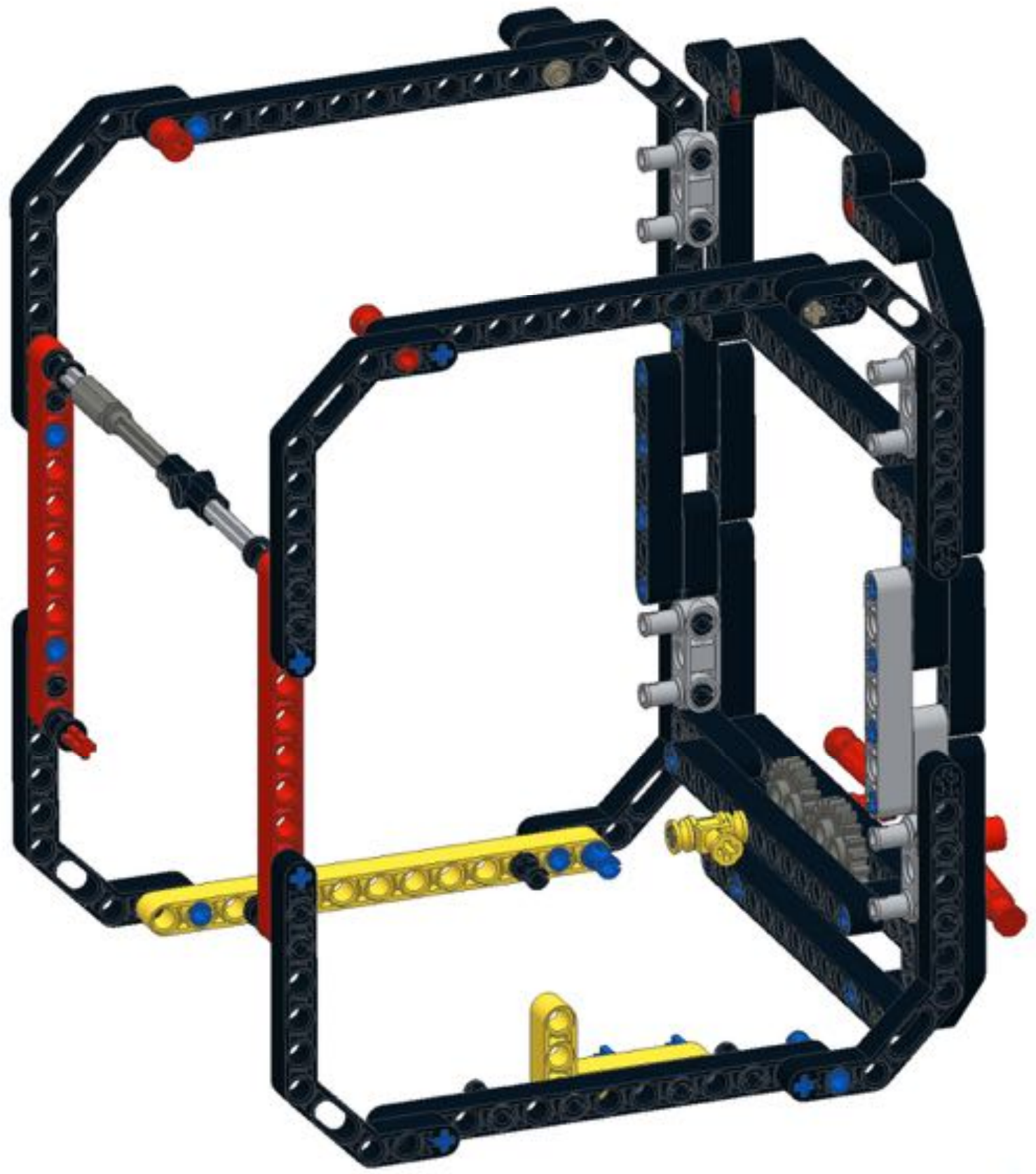


82

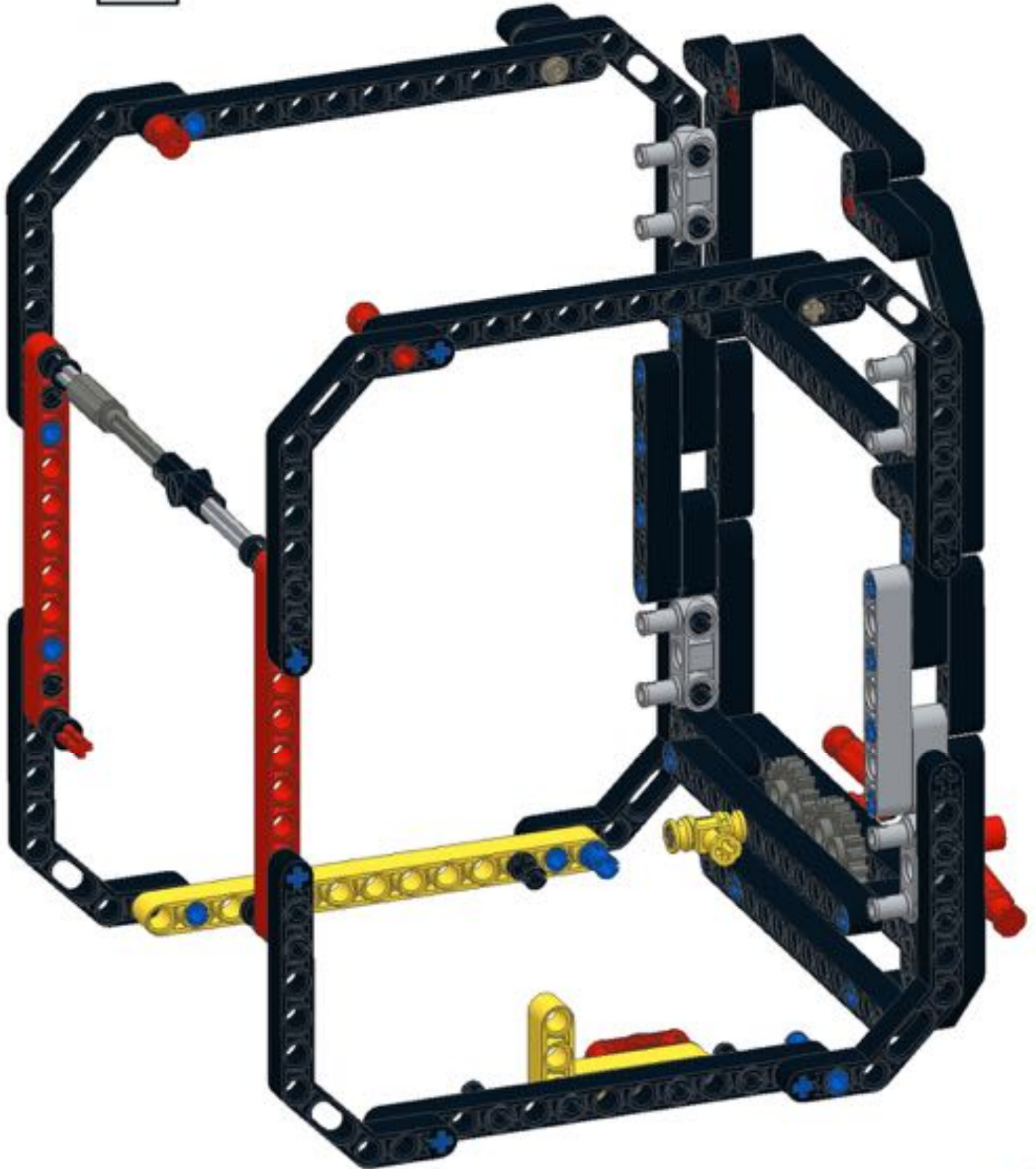
# 83



84  2x

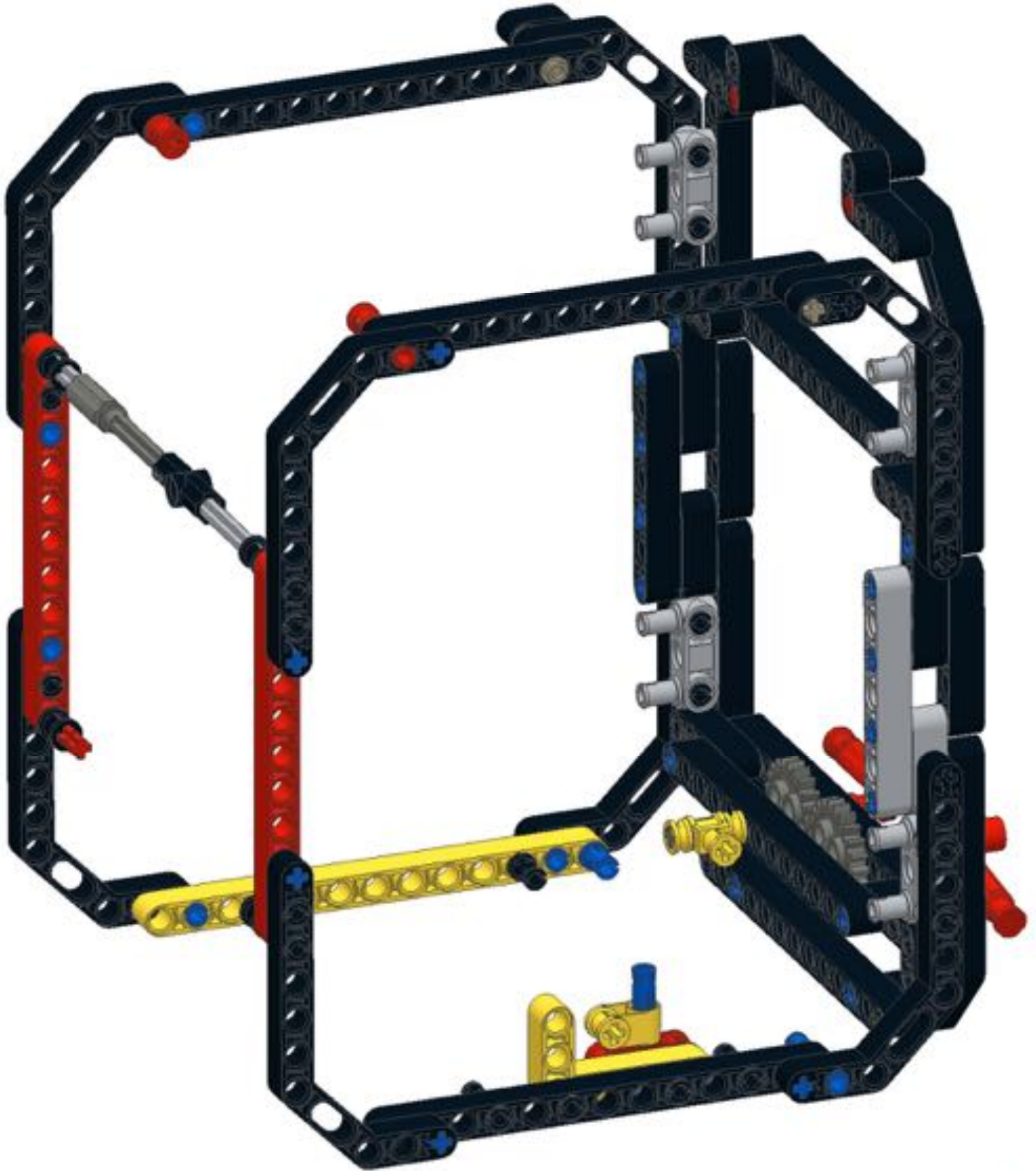
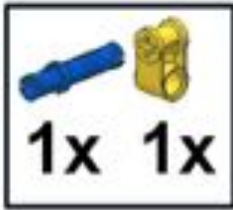


# 85



85

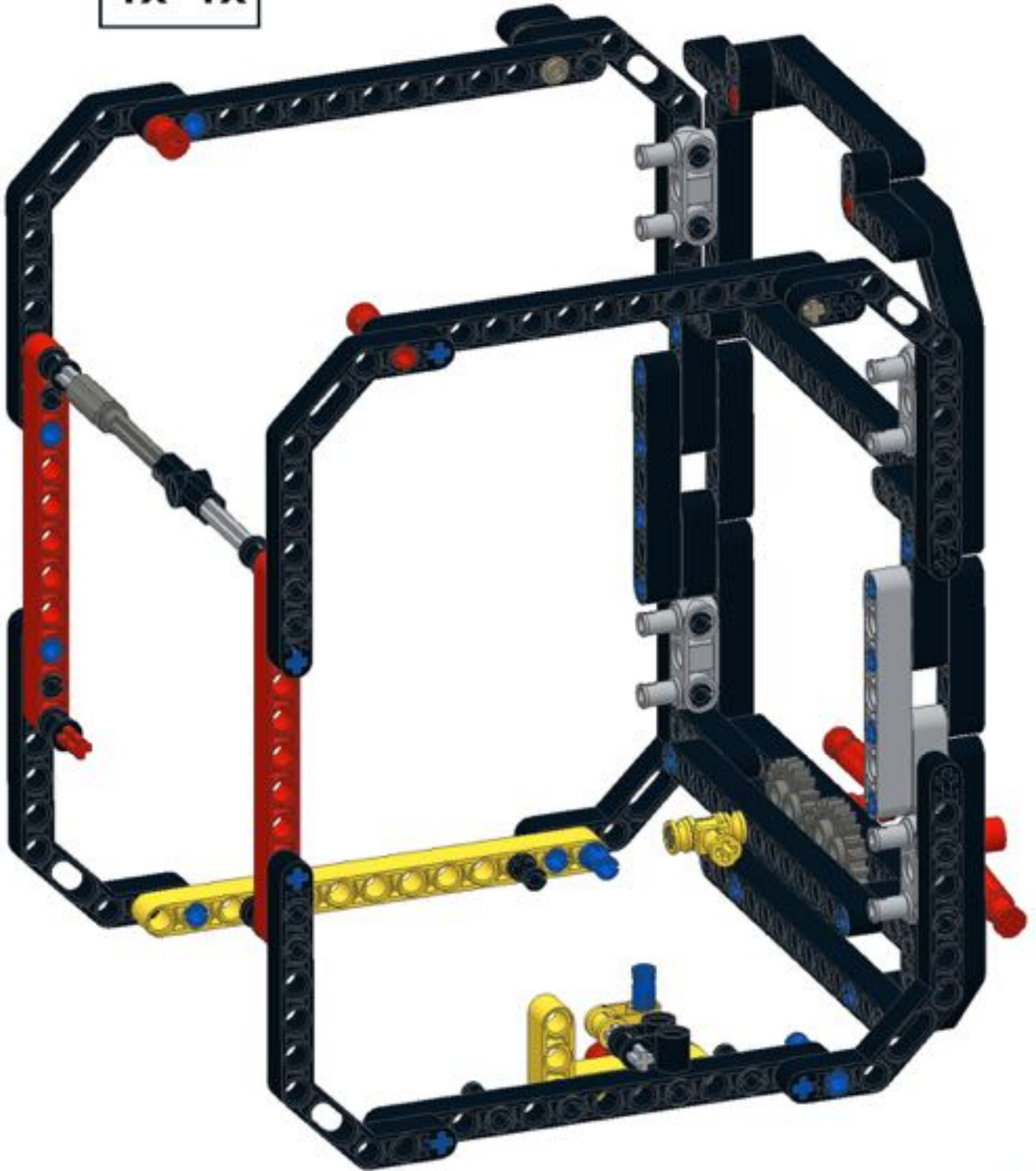
86



86

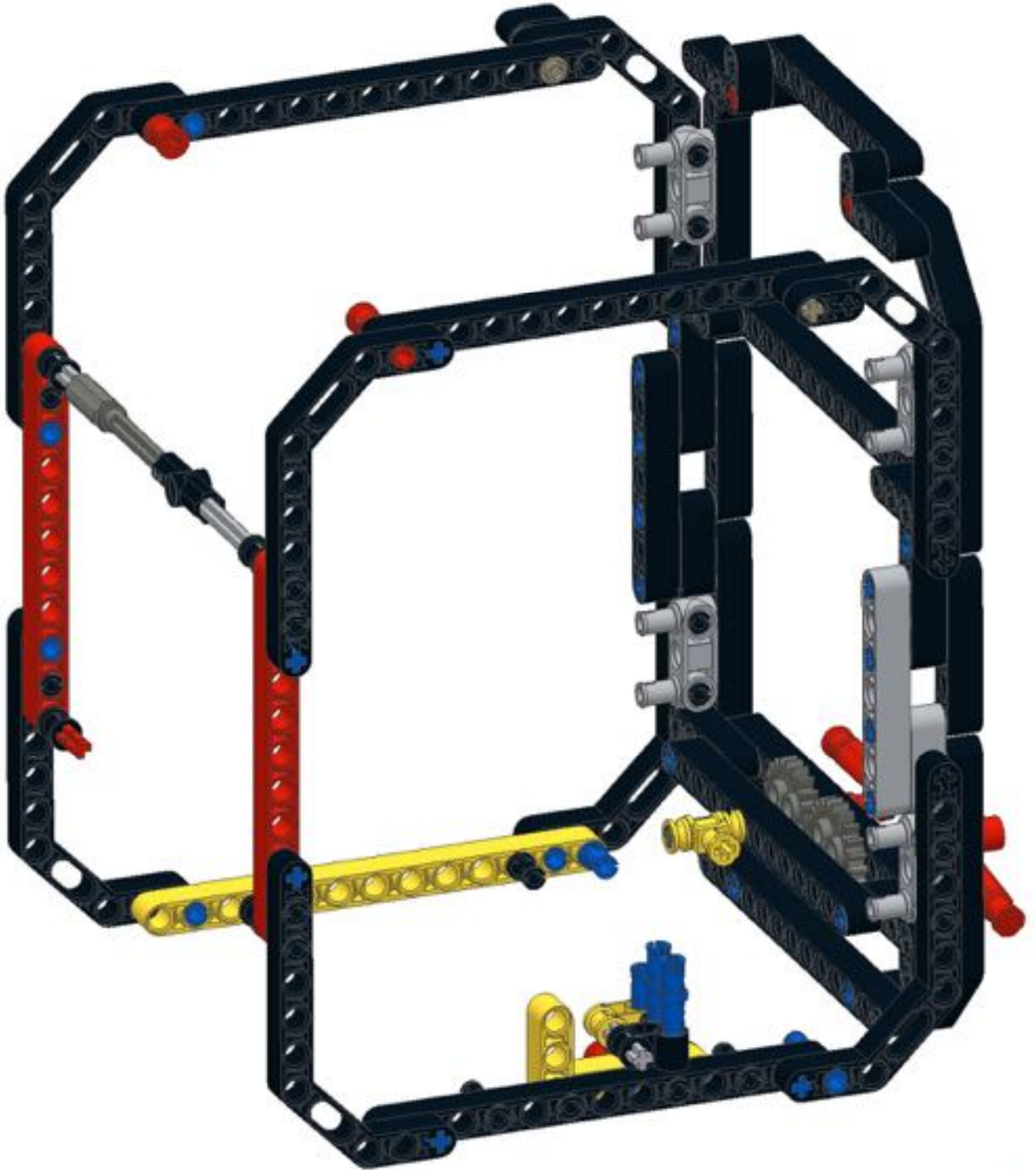
# 87

	<b>3</b>	
<b>1x</b>		<b>1x</b>



87

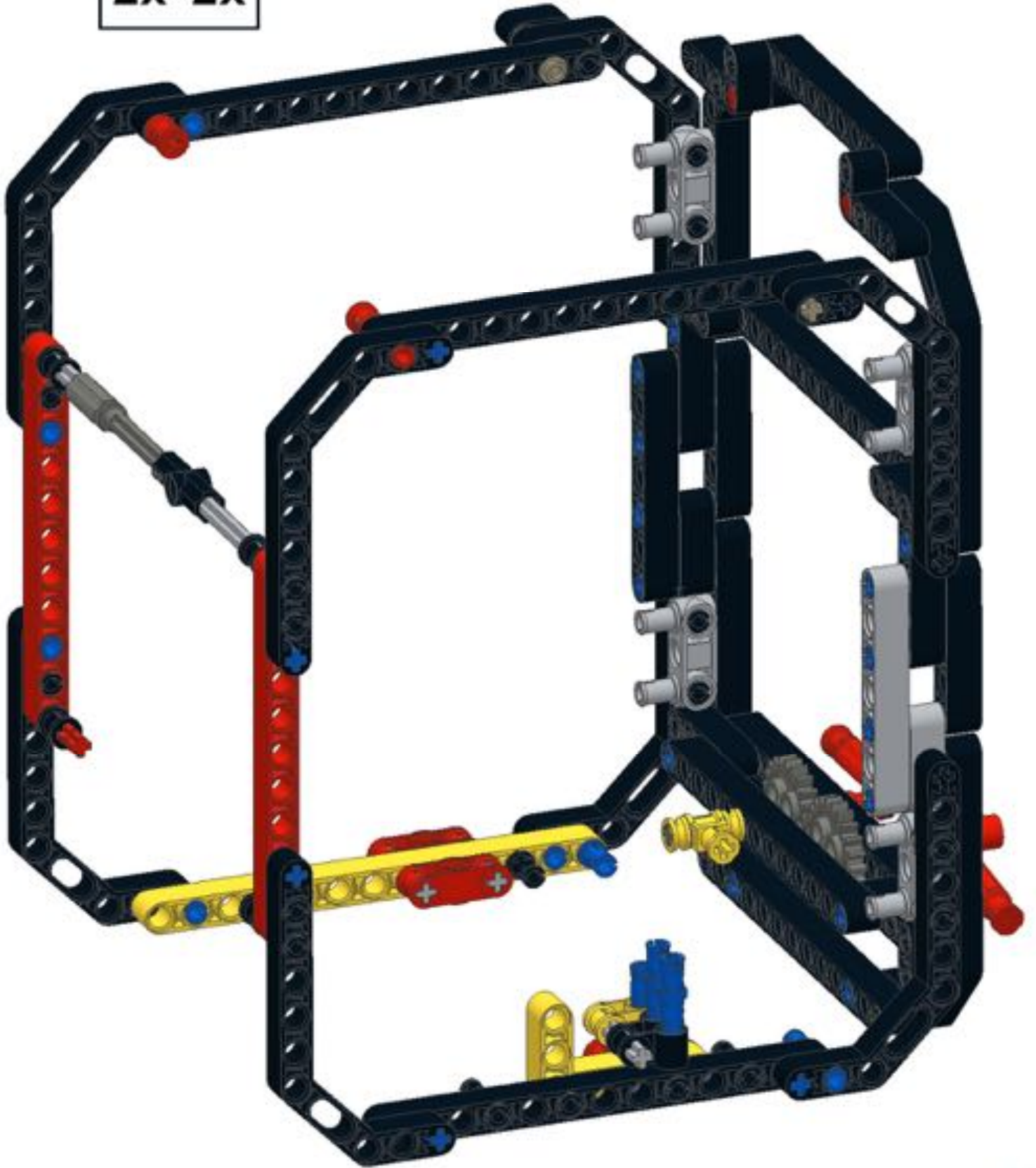
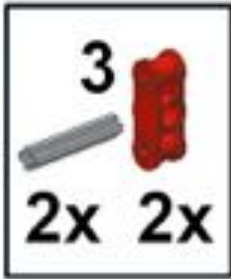
88



88

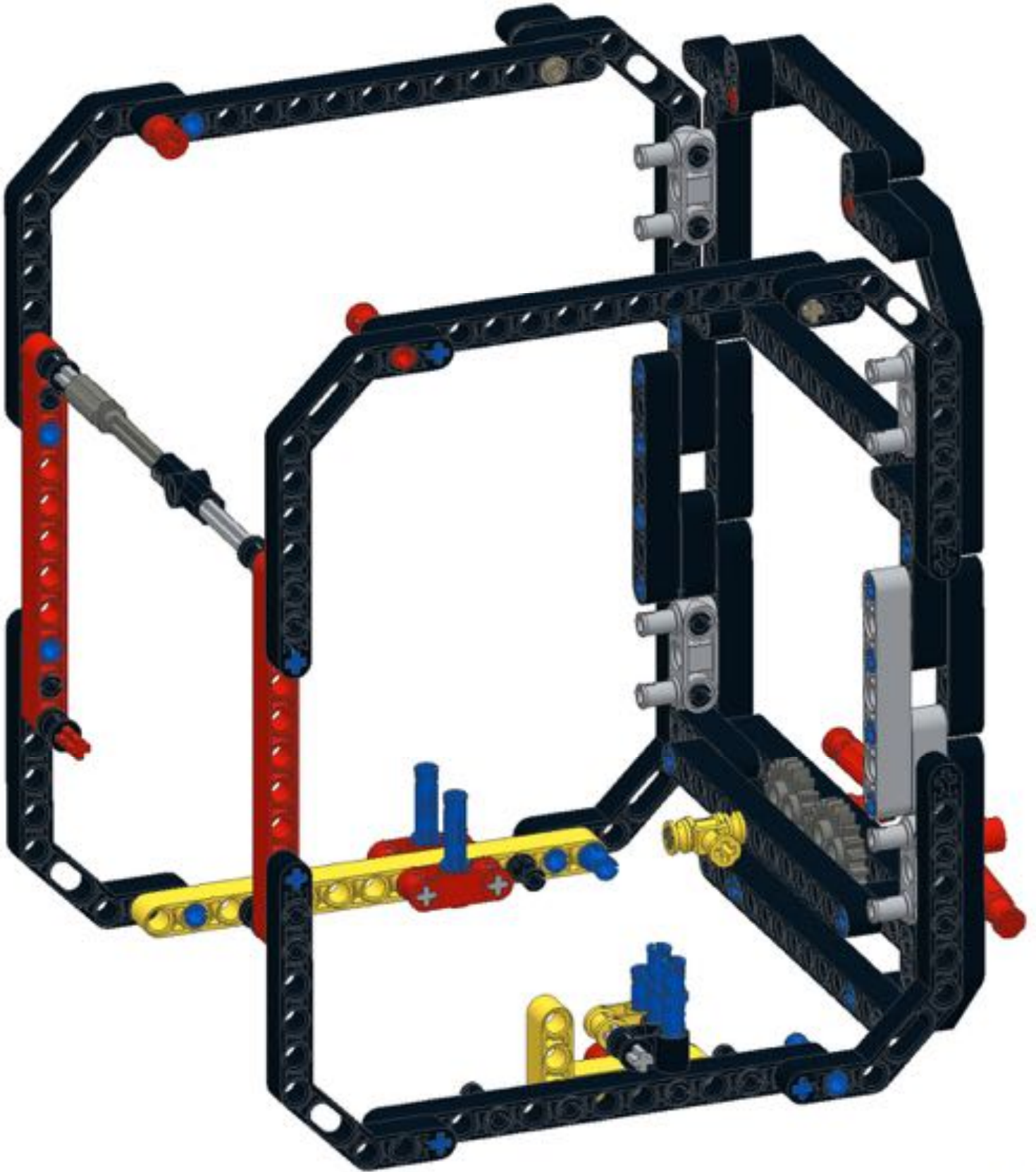


# 89



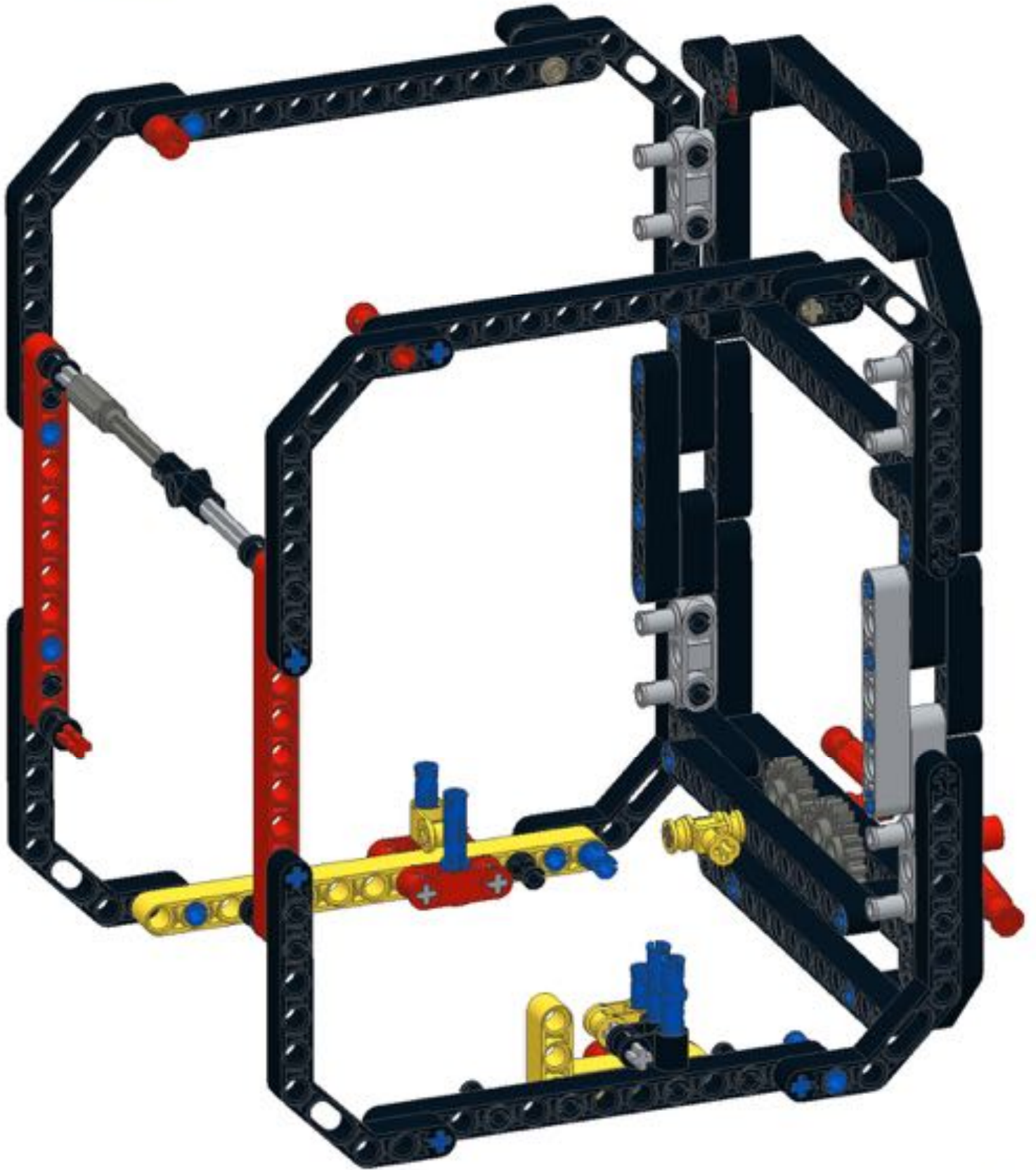
89

90



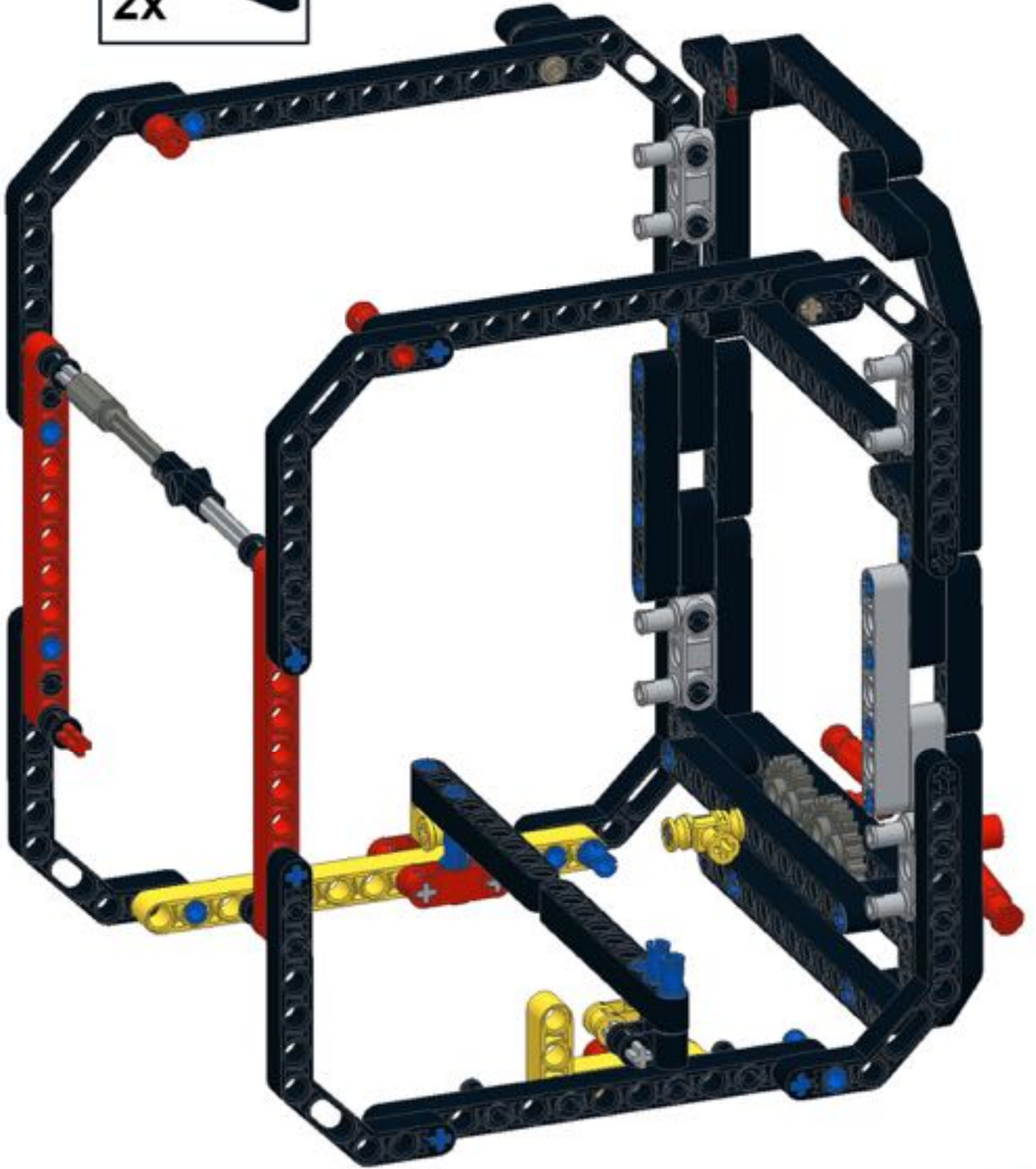
90

# 91



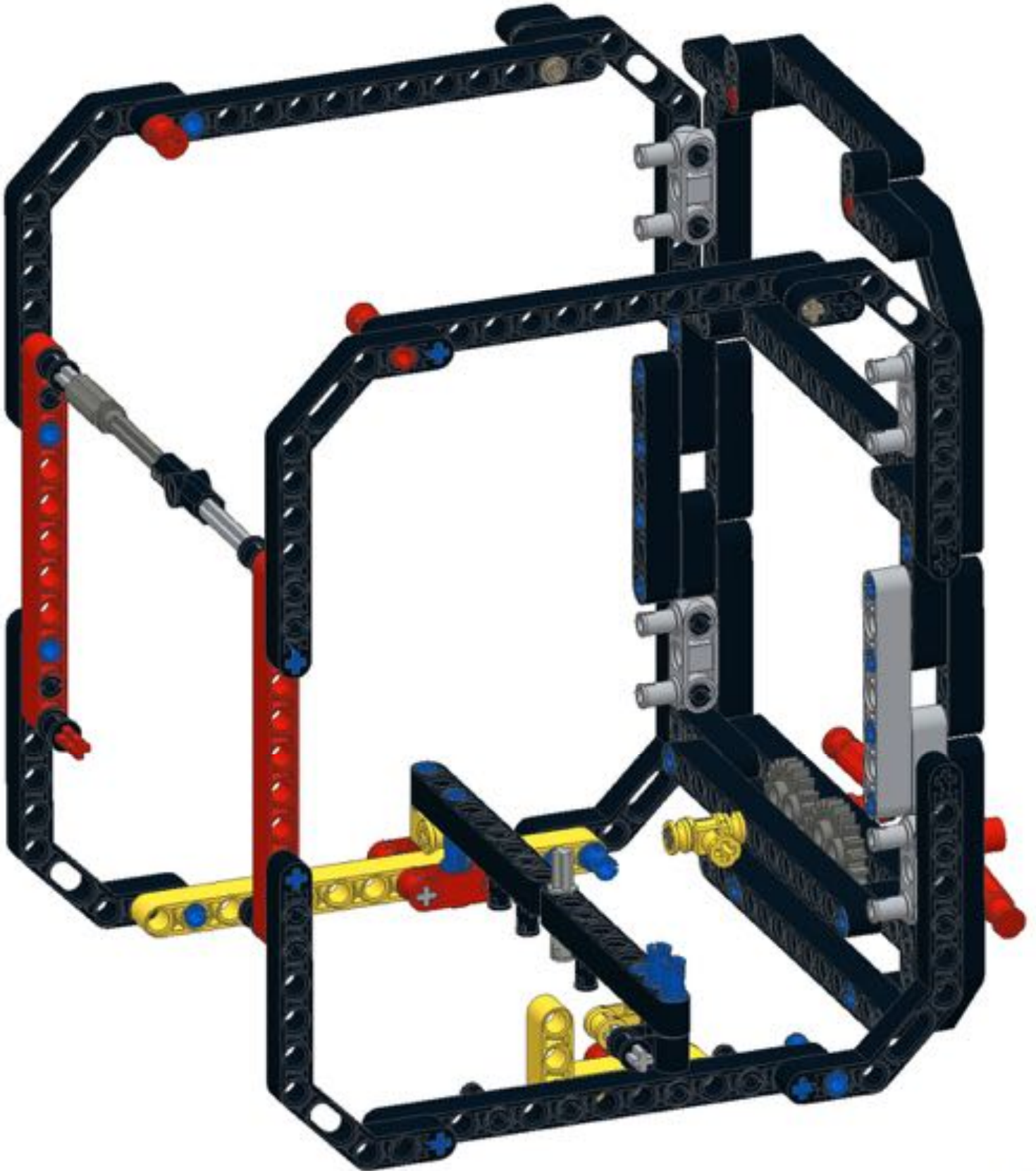
91

92



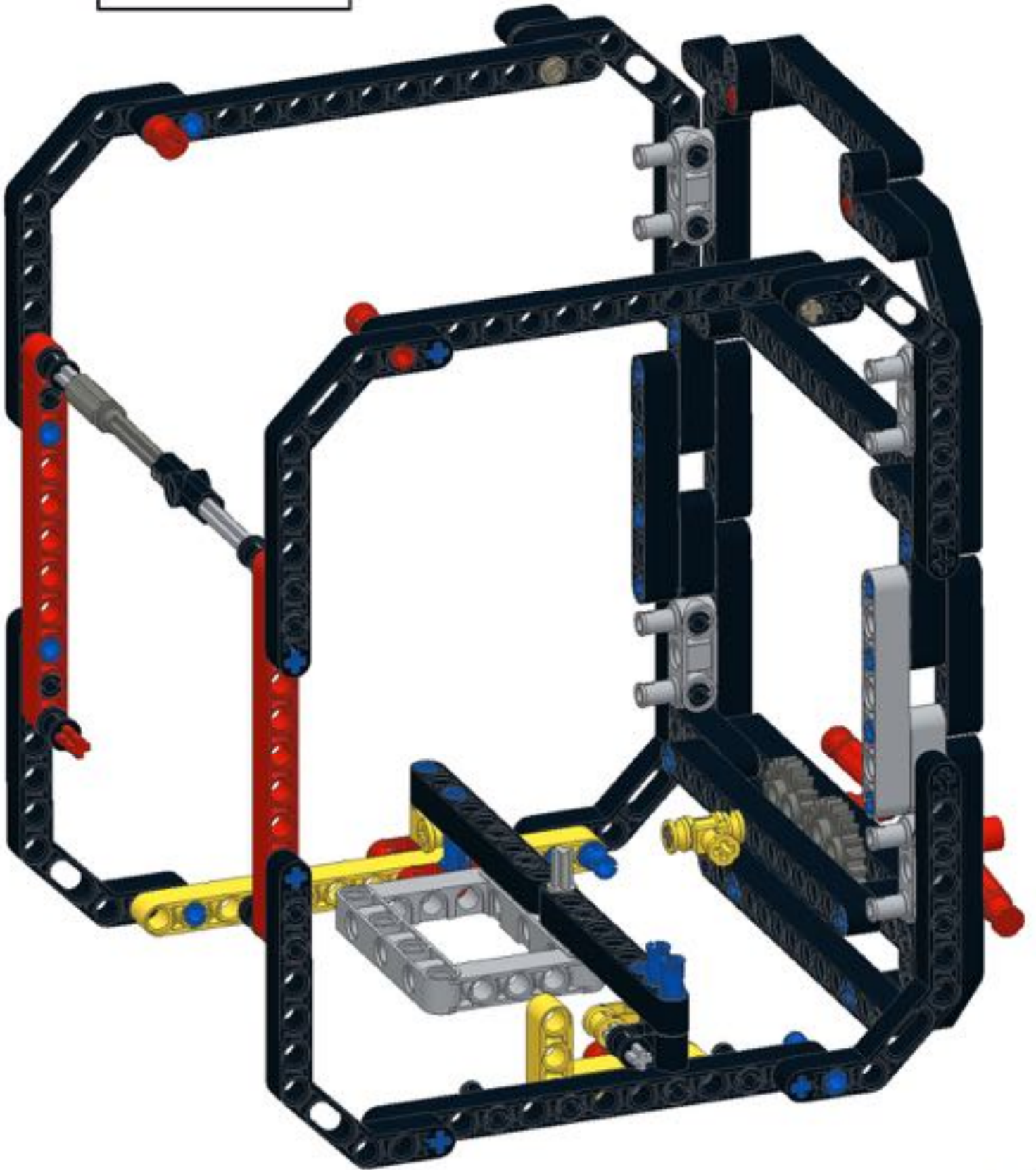
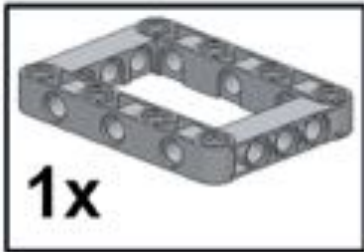
92

# 93

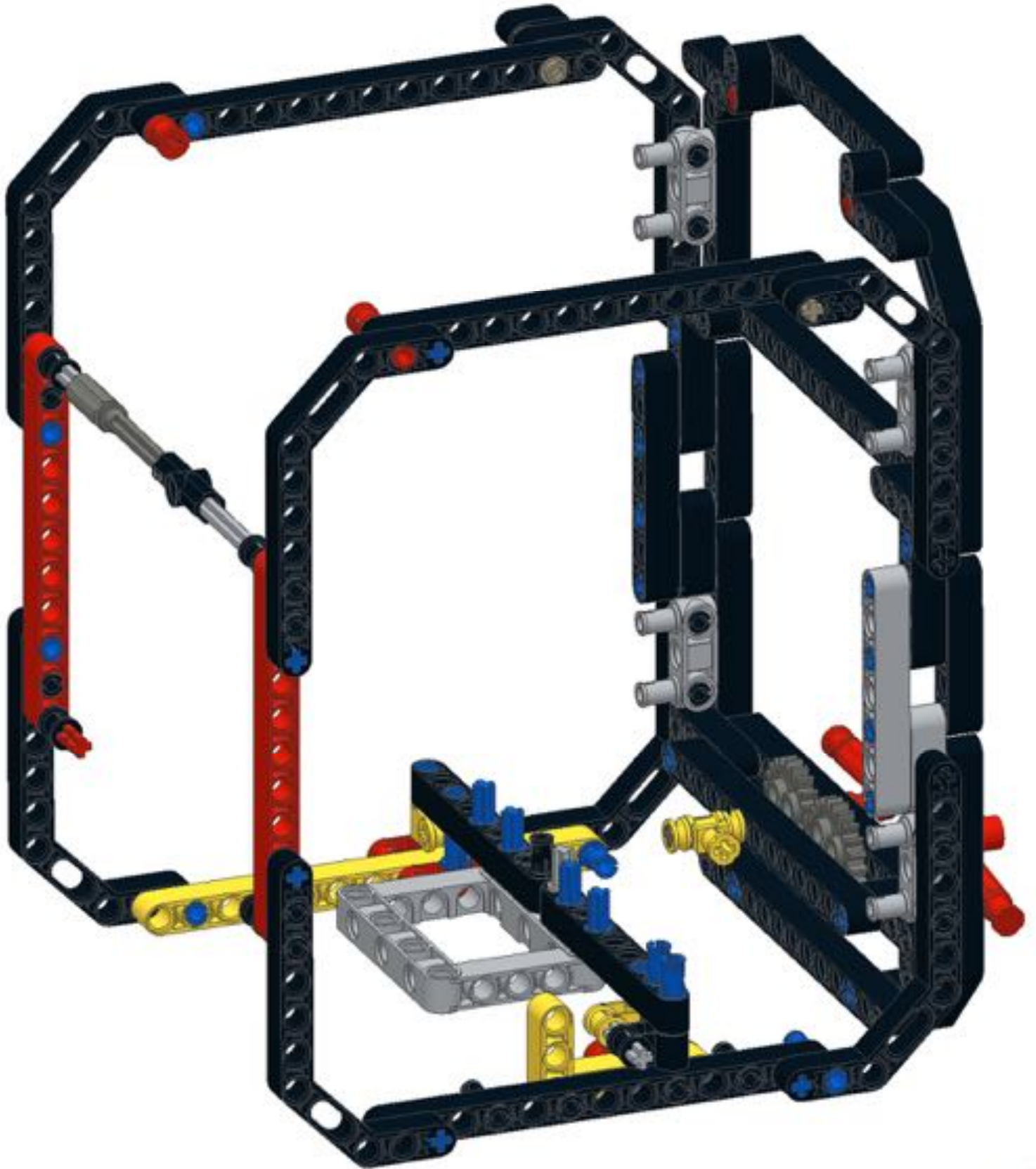


93

# 94

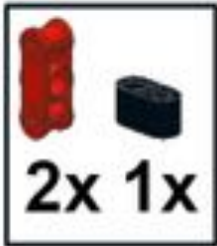


# 95



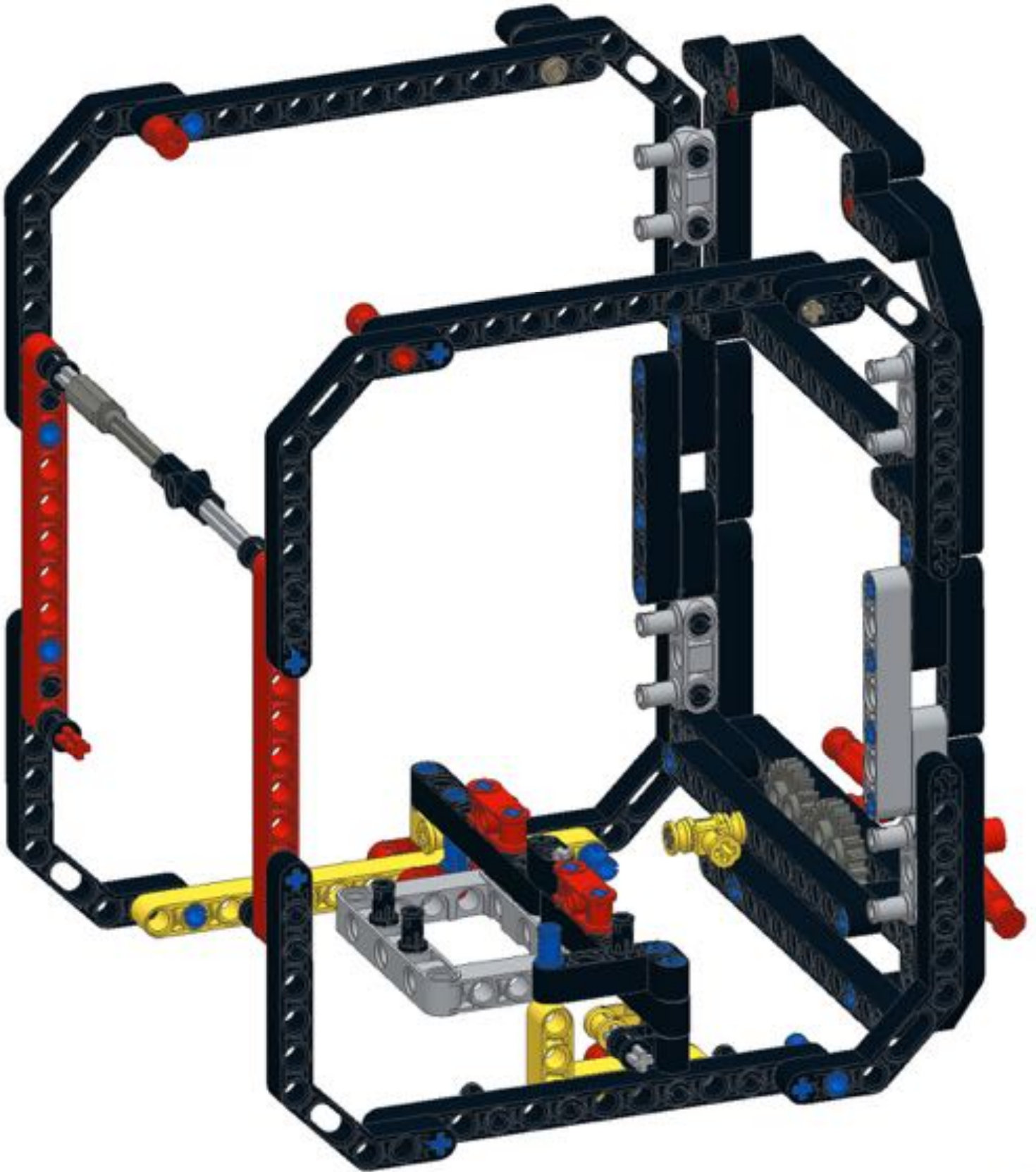
95

96



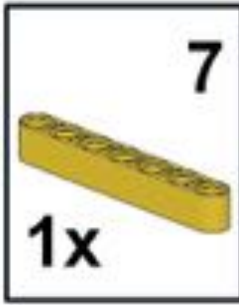


97



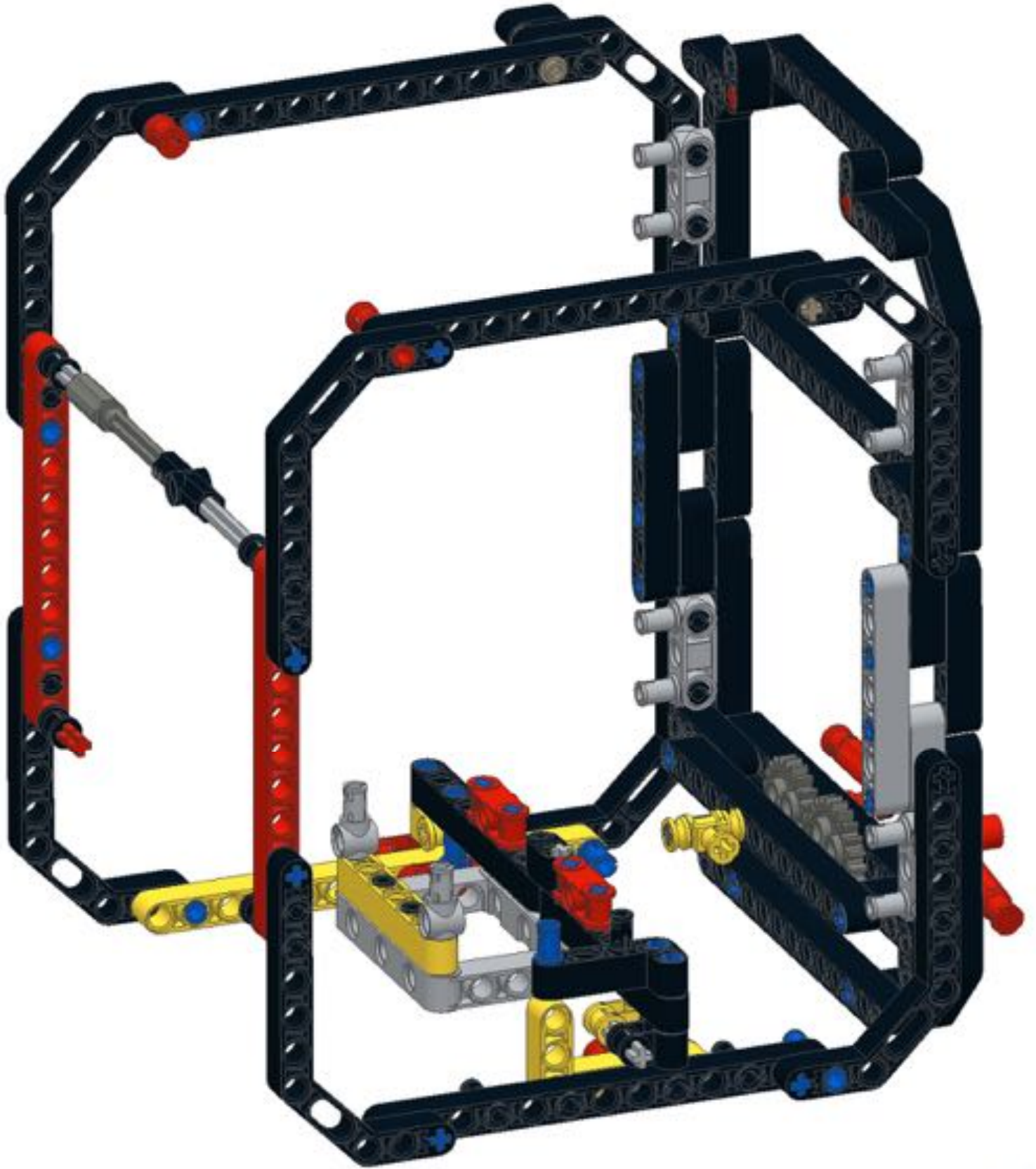
97

98



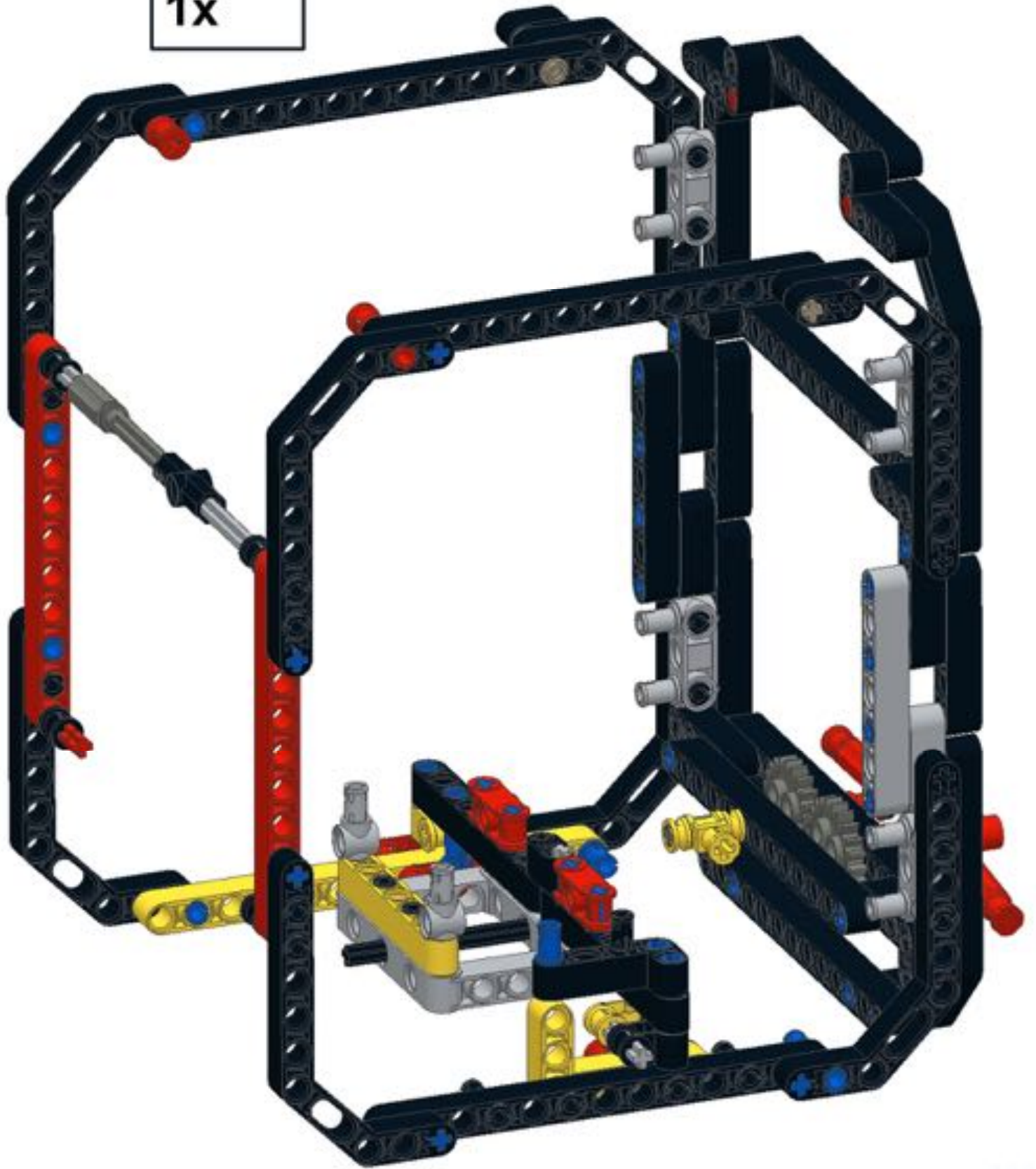
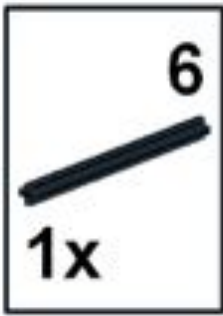
98

# 99



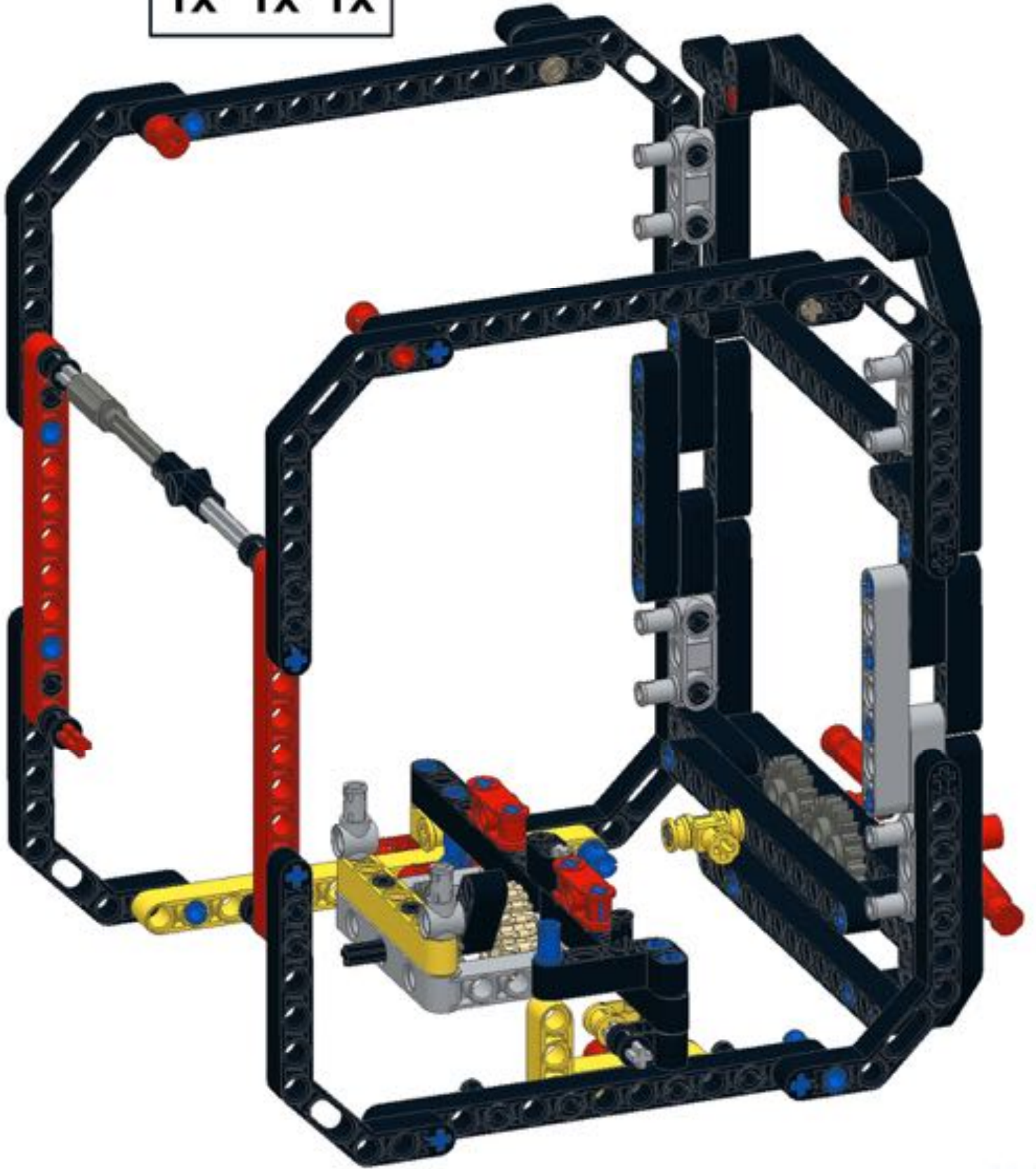
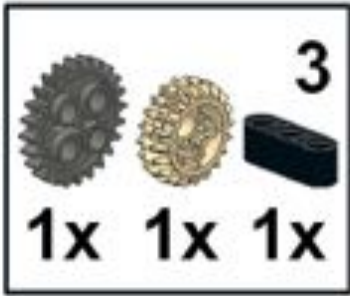
99

100



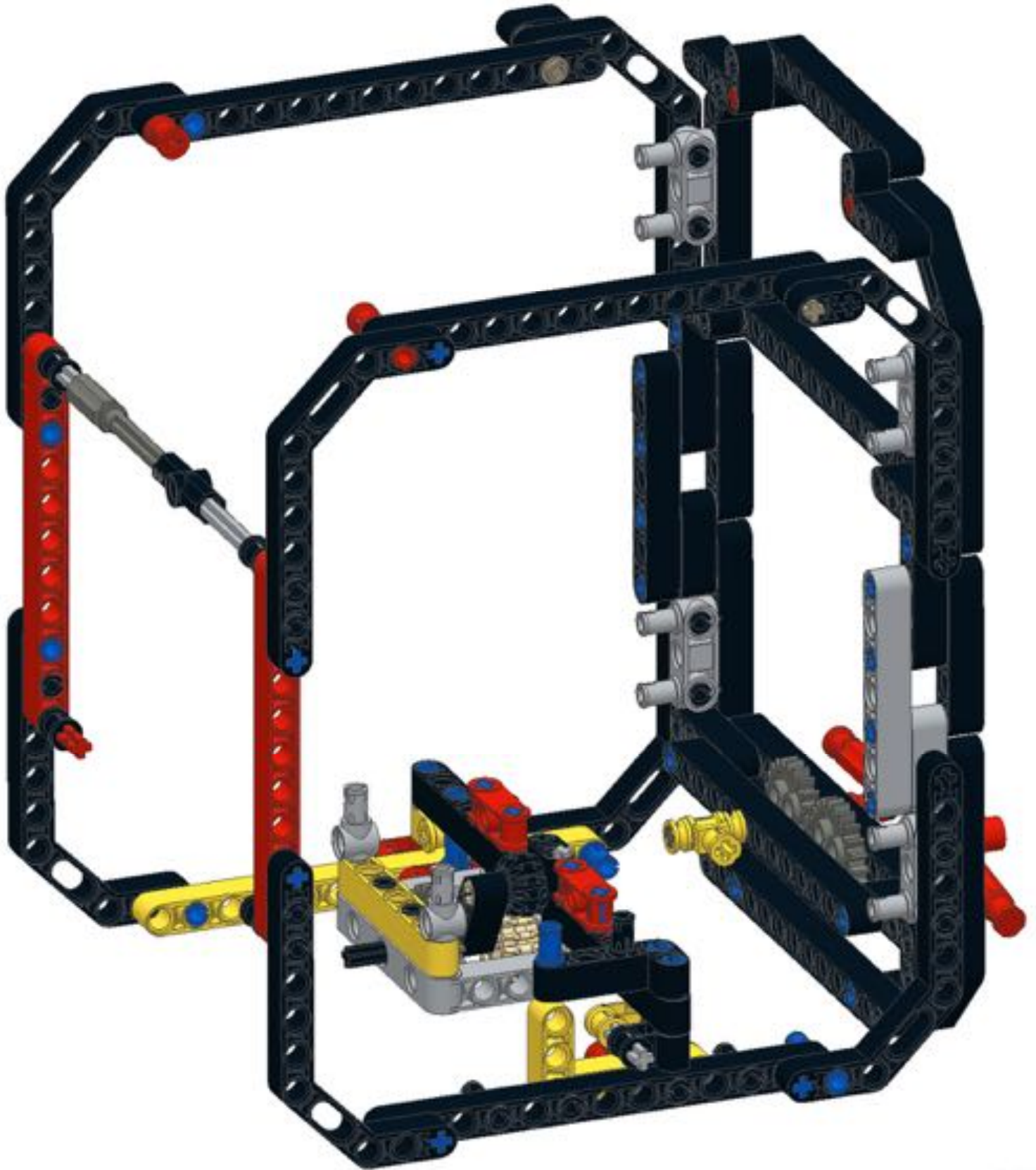
100

# 101



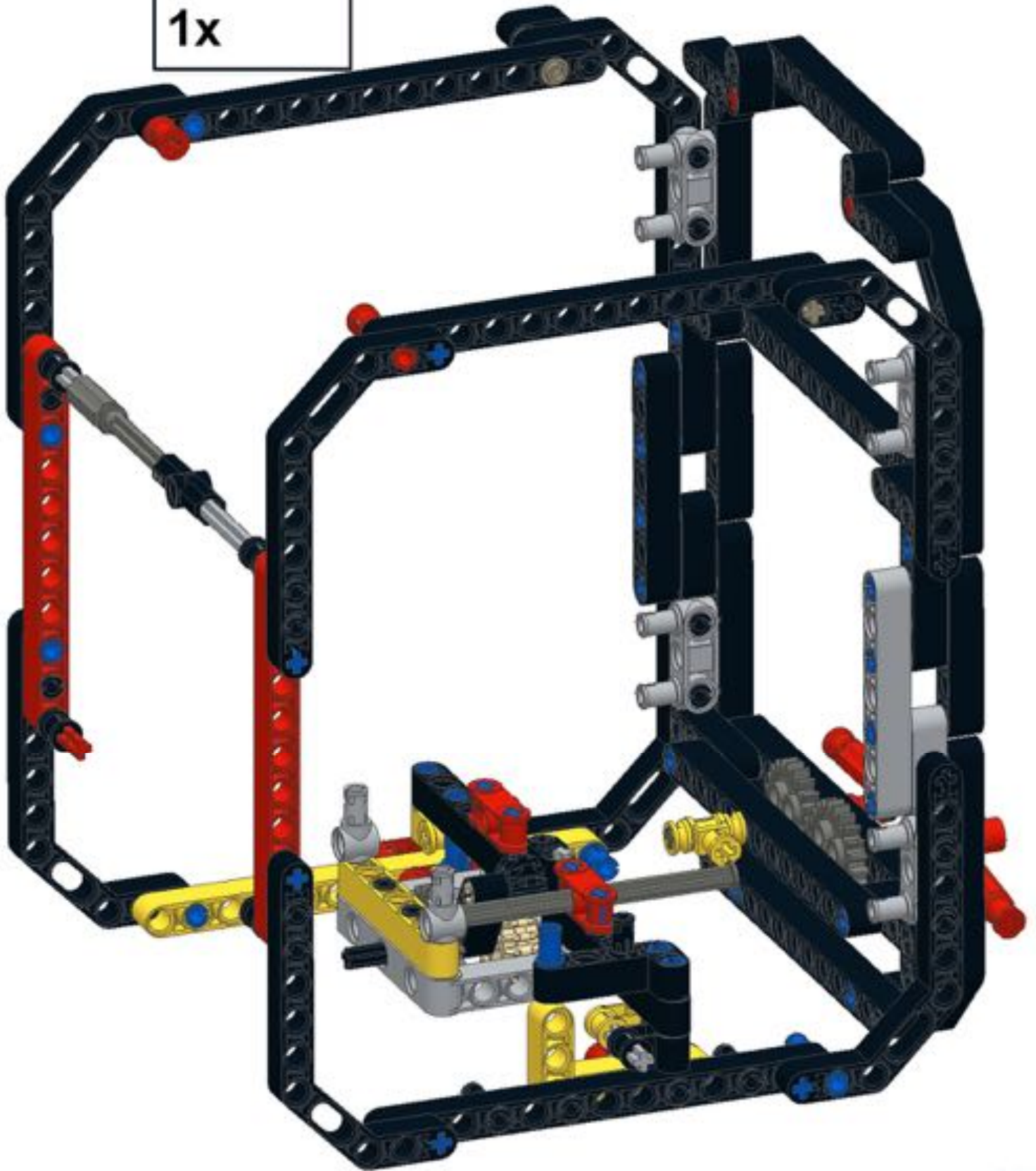
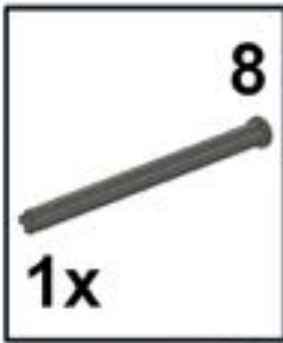
101

# 102



102

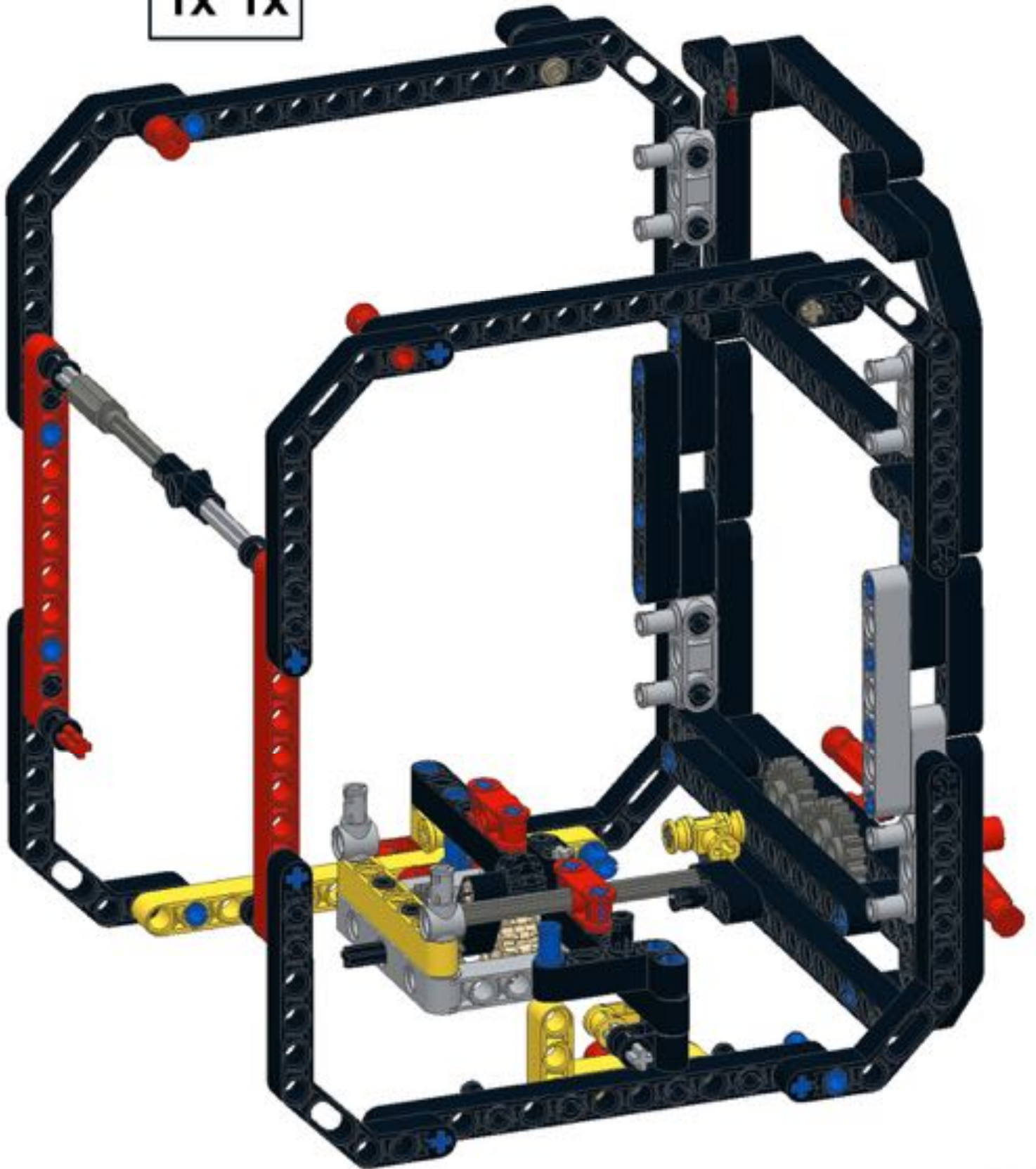
# 103



103

# 104

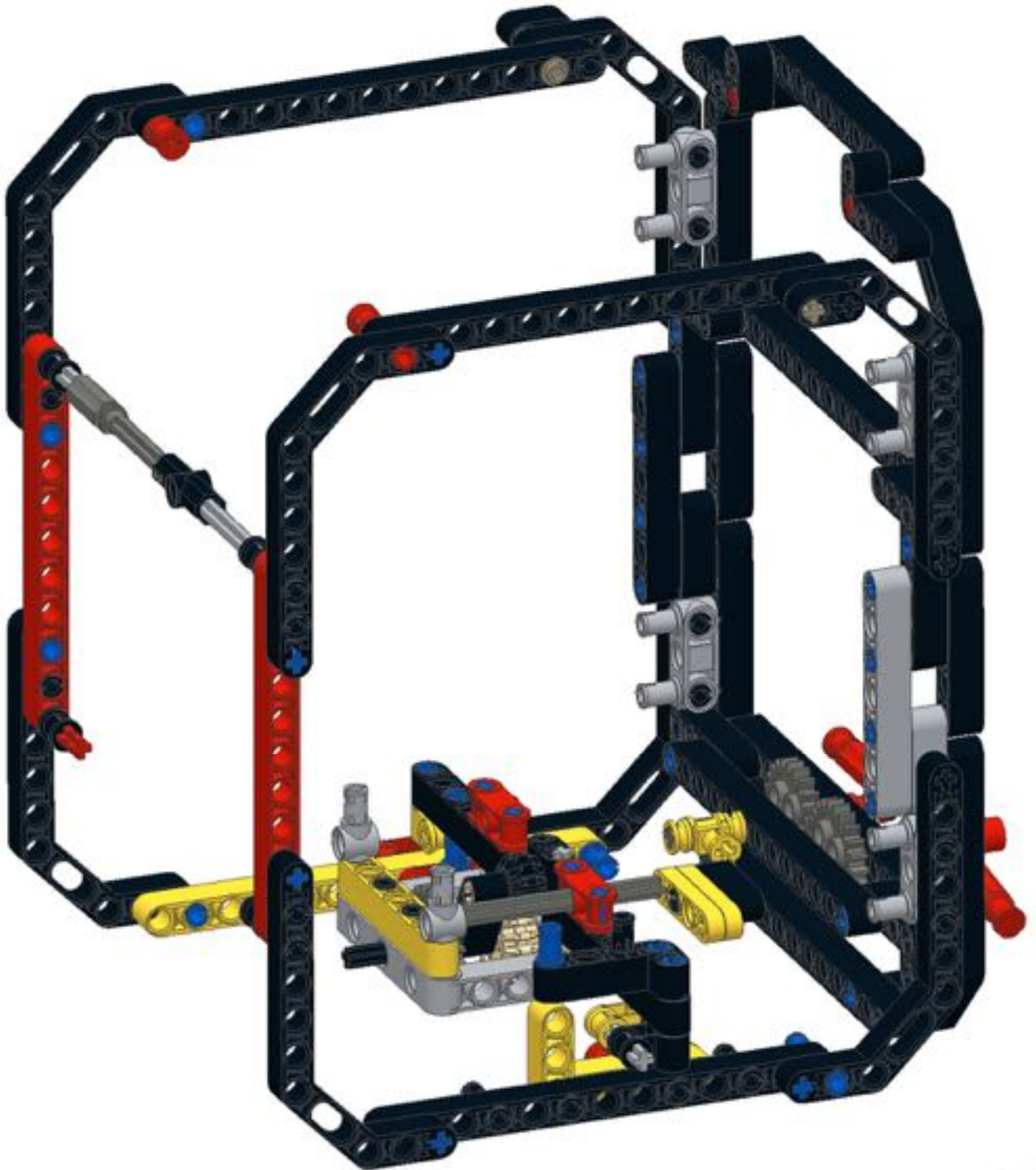
3  
1x 1x



104



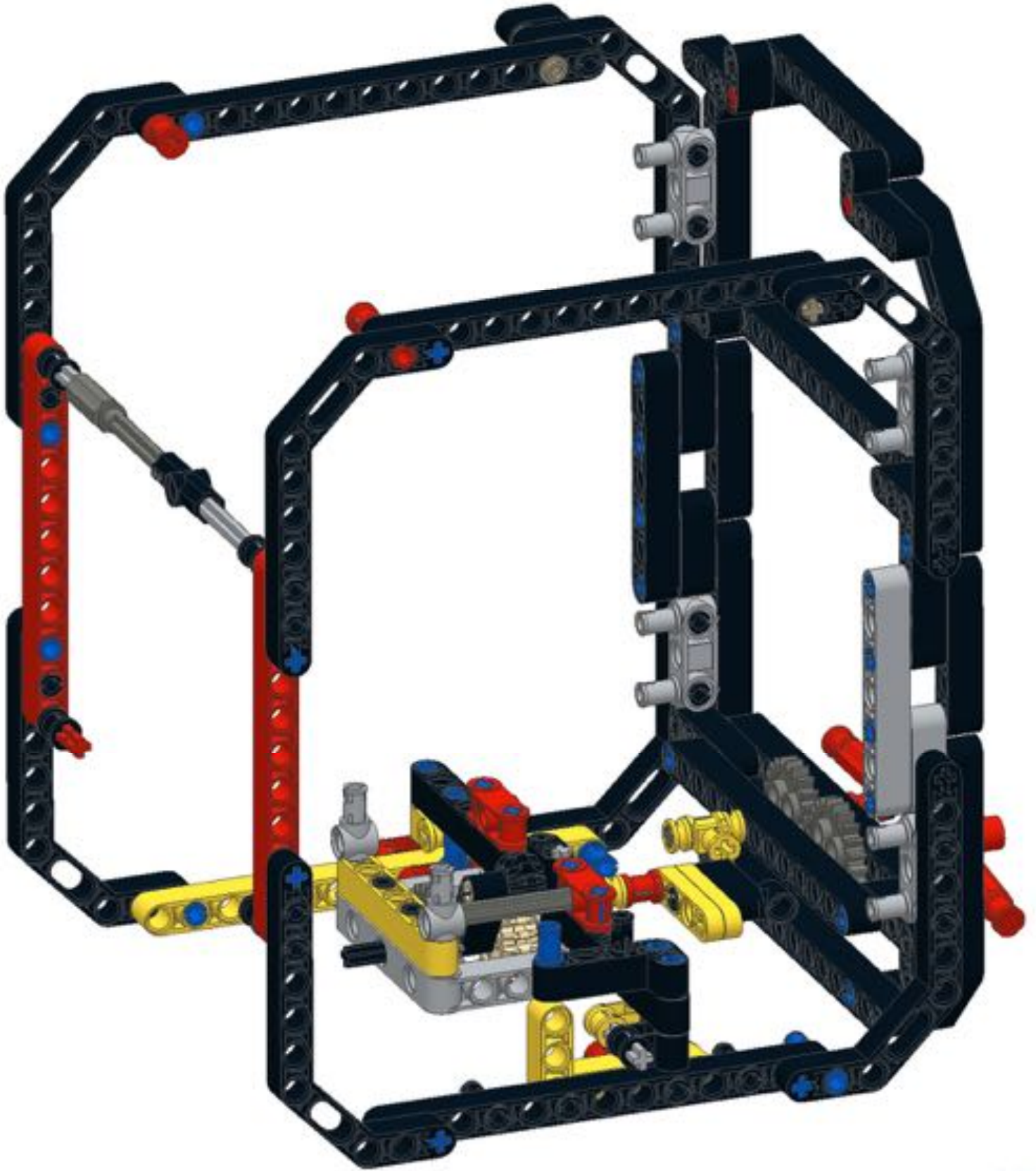
# 105



105

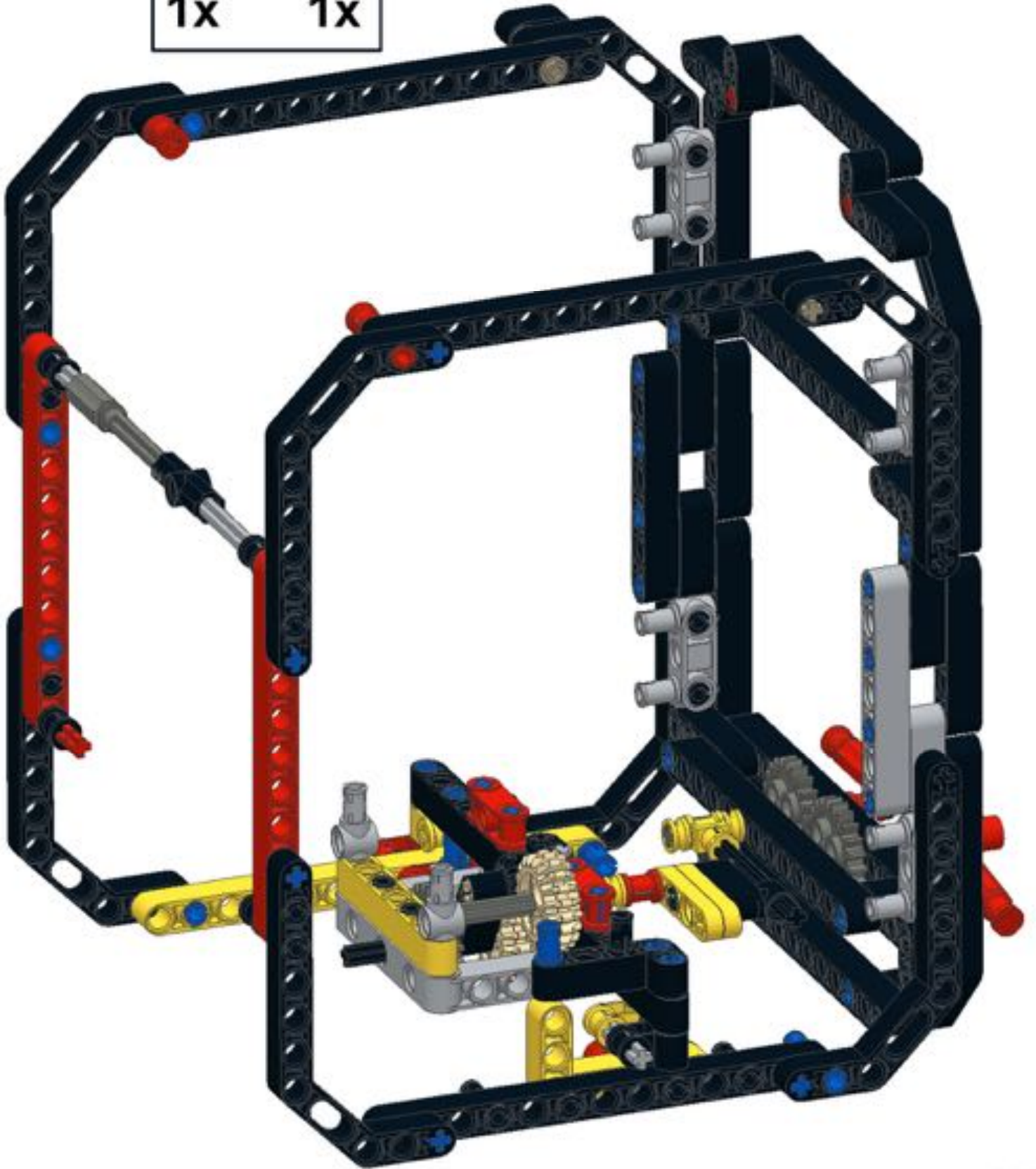
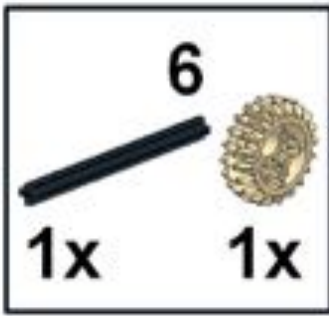
# 106

		
1x	1x	1x



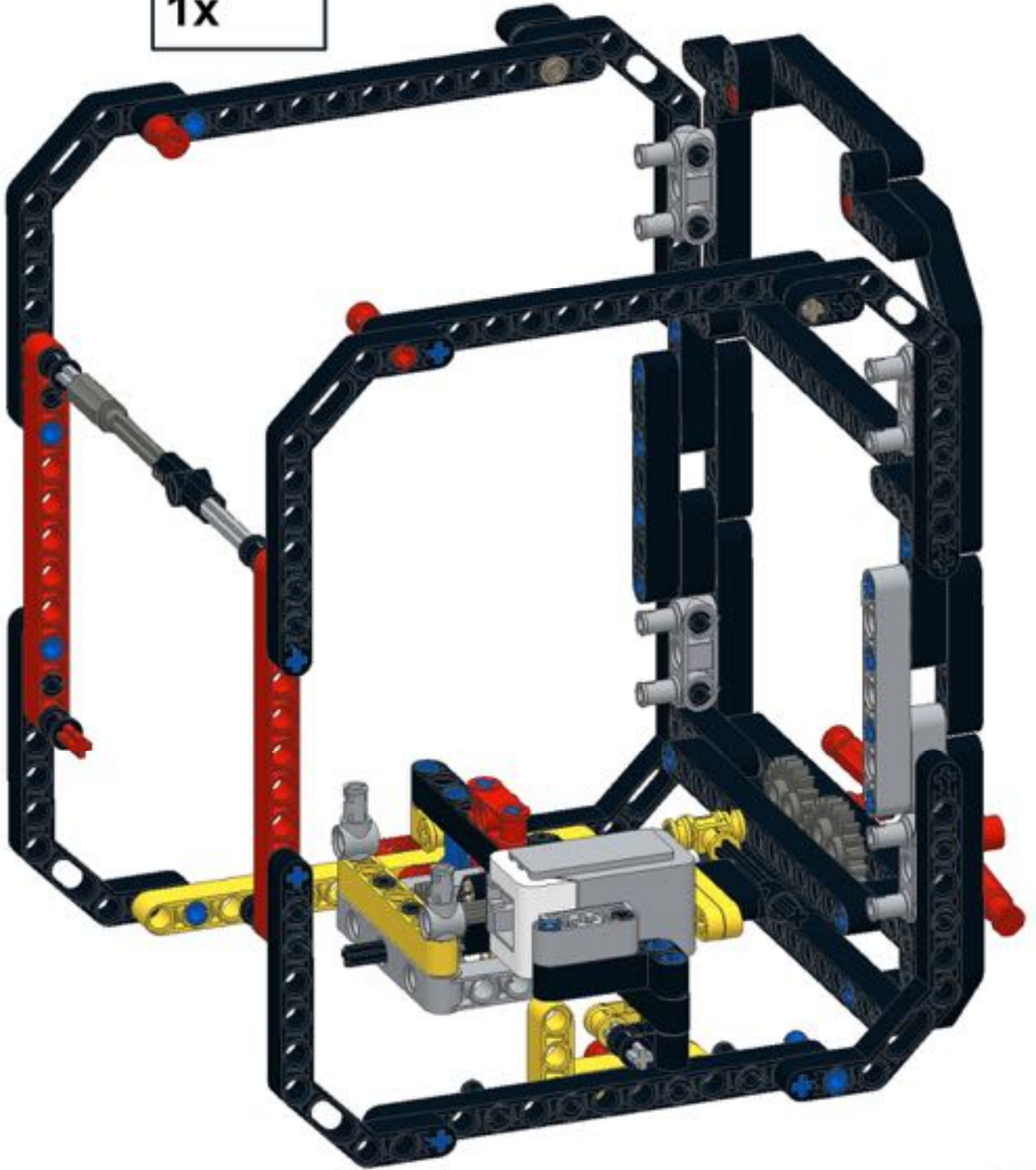
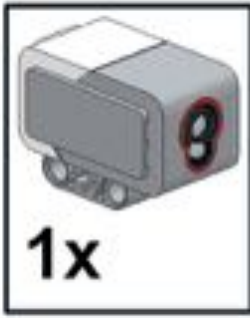
106

# 107

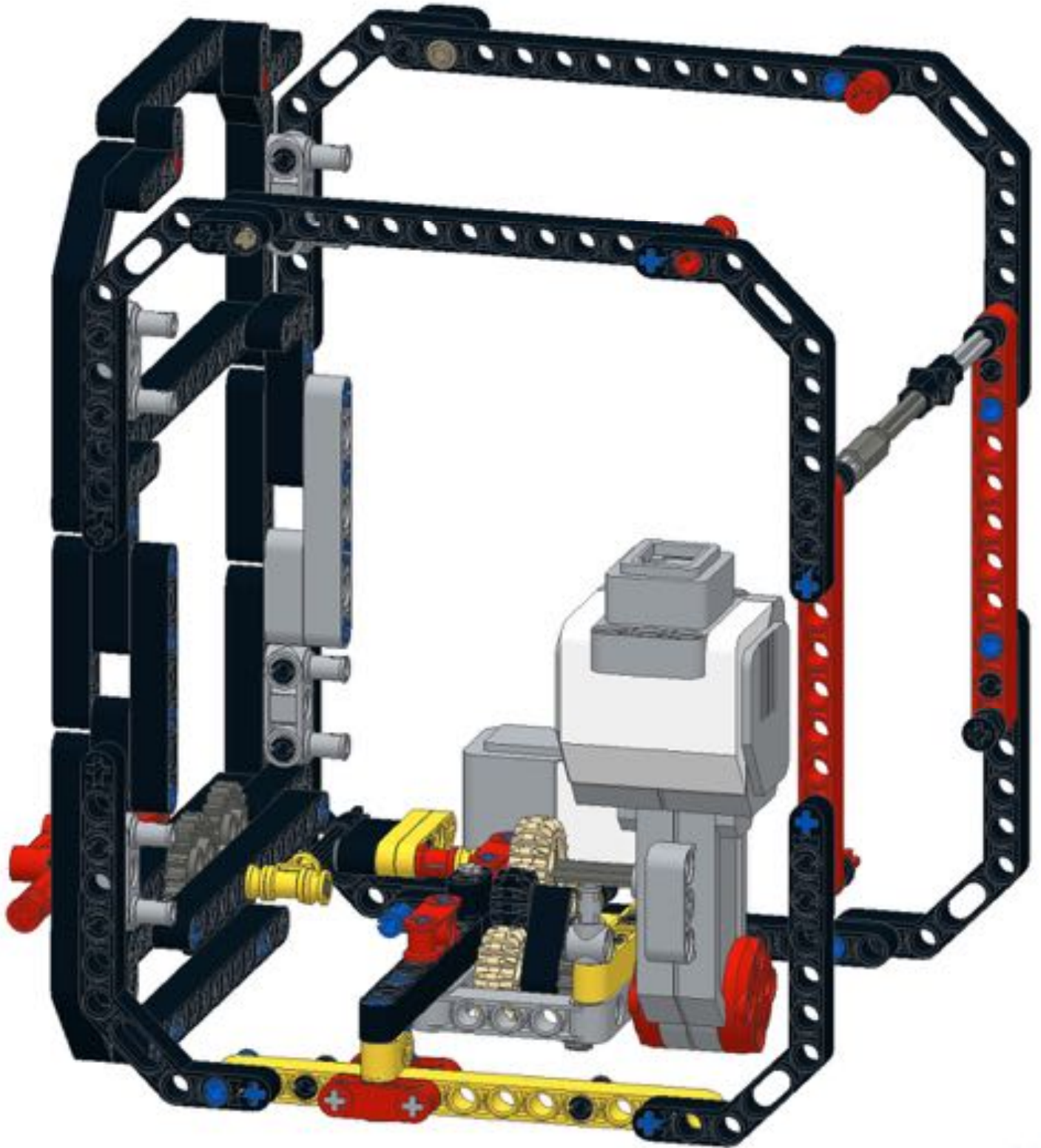
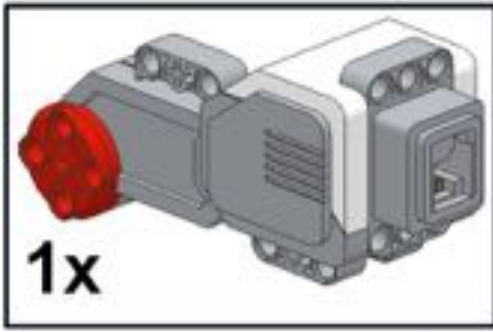


107

# 108

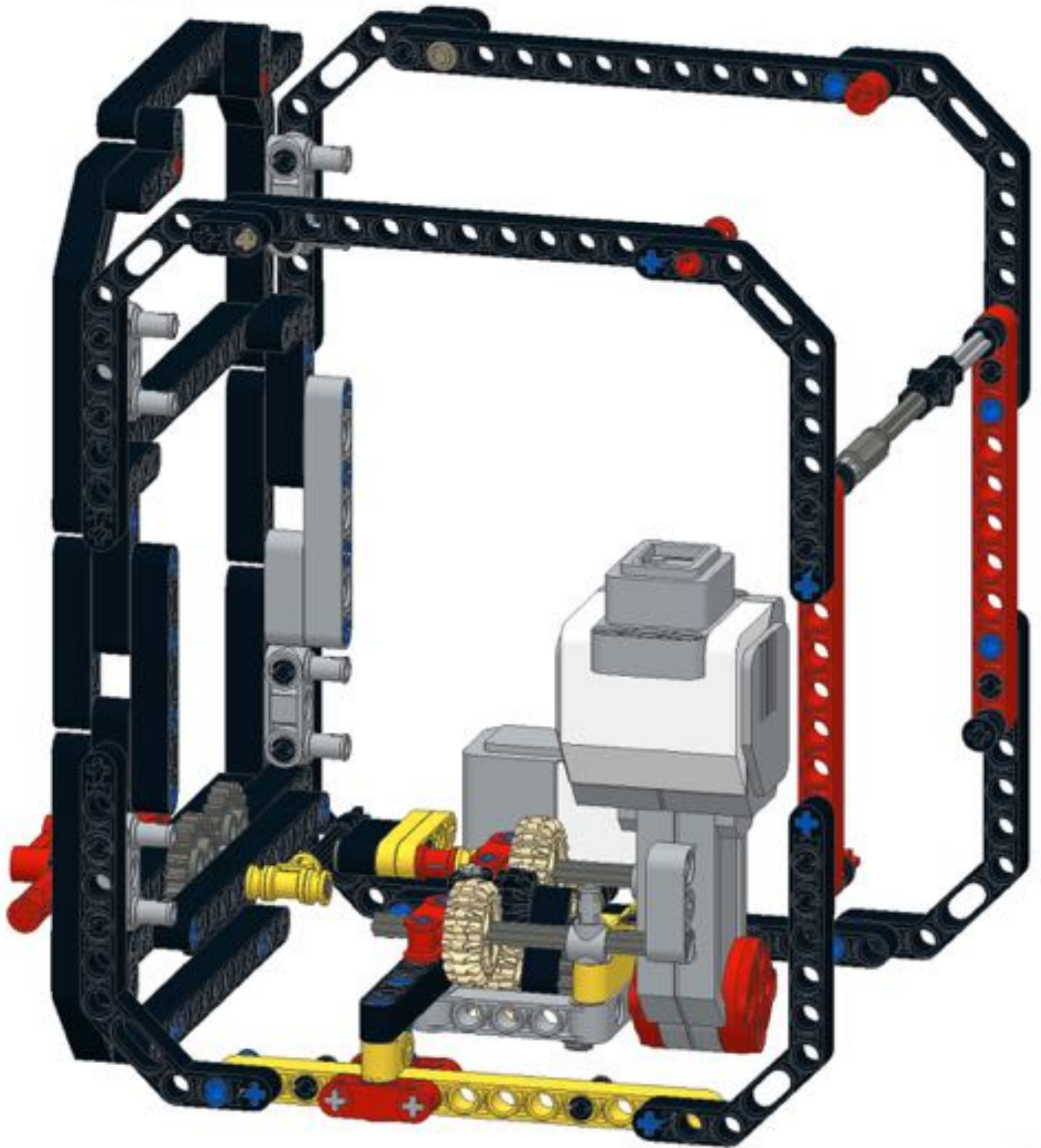
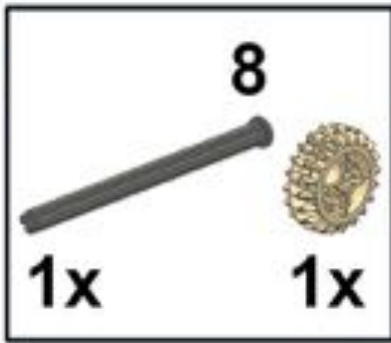


# 109



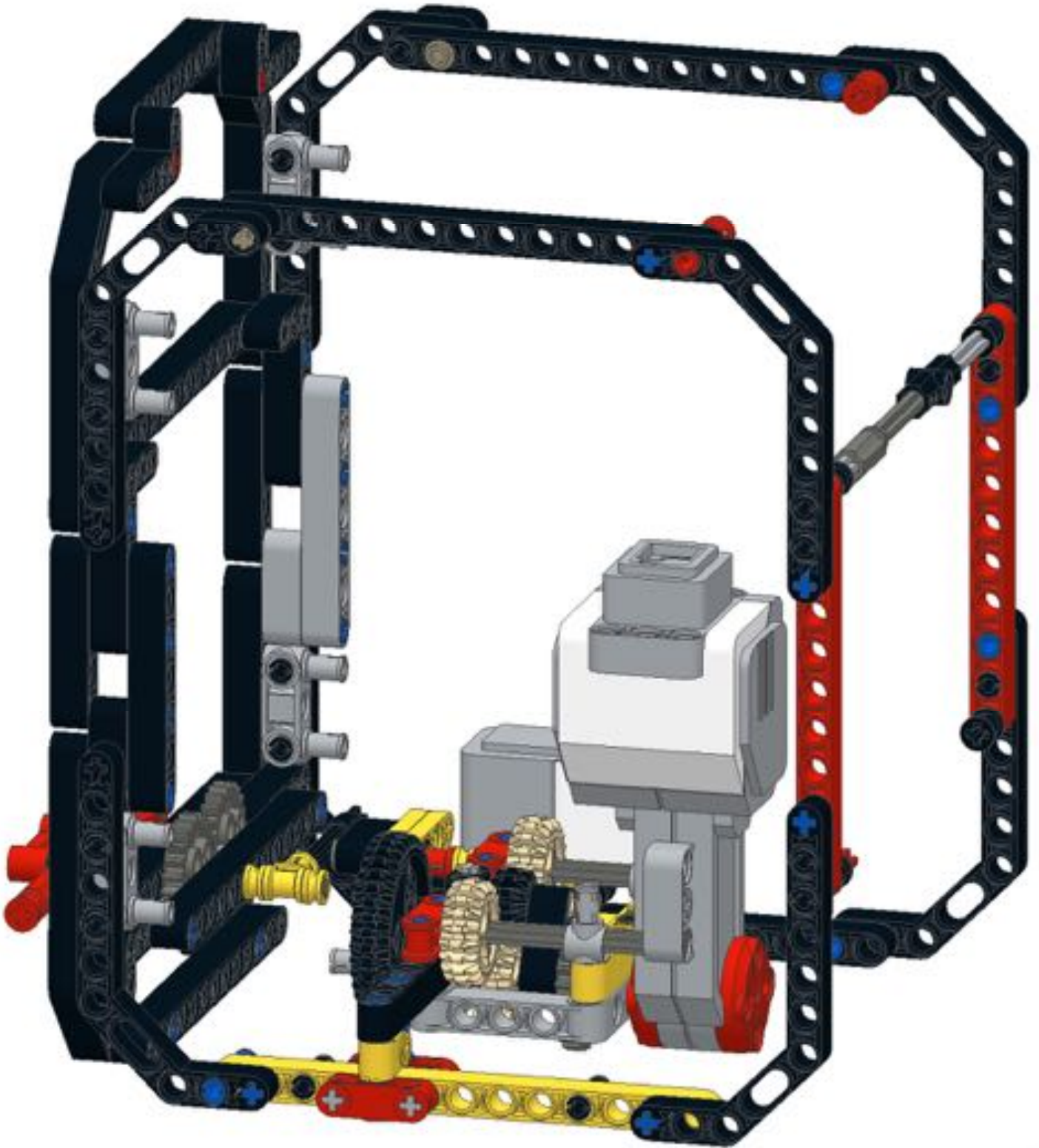
109

# 110




110

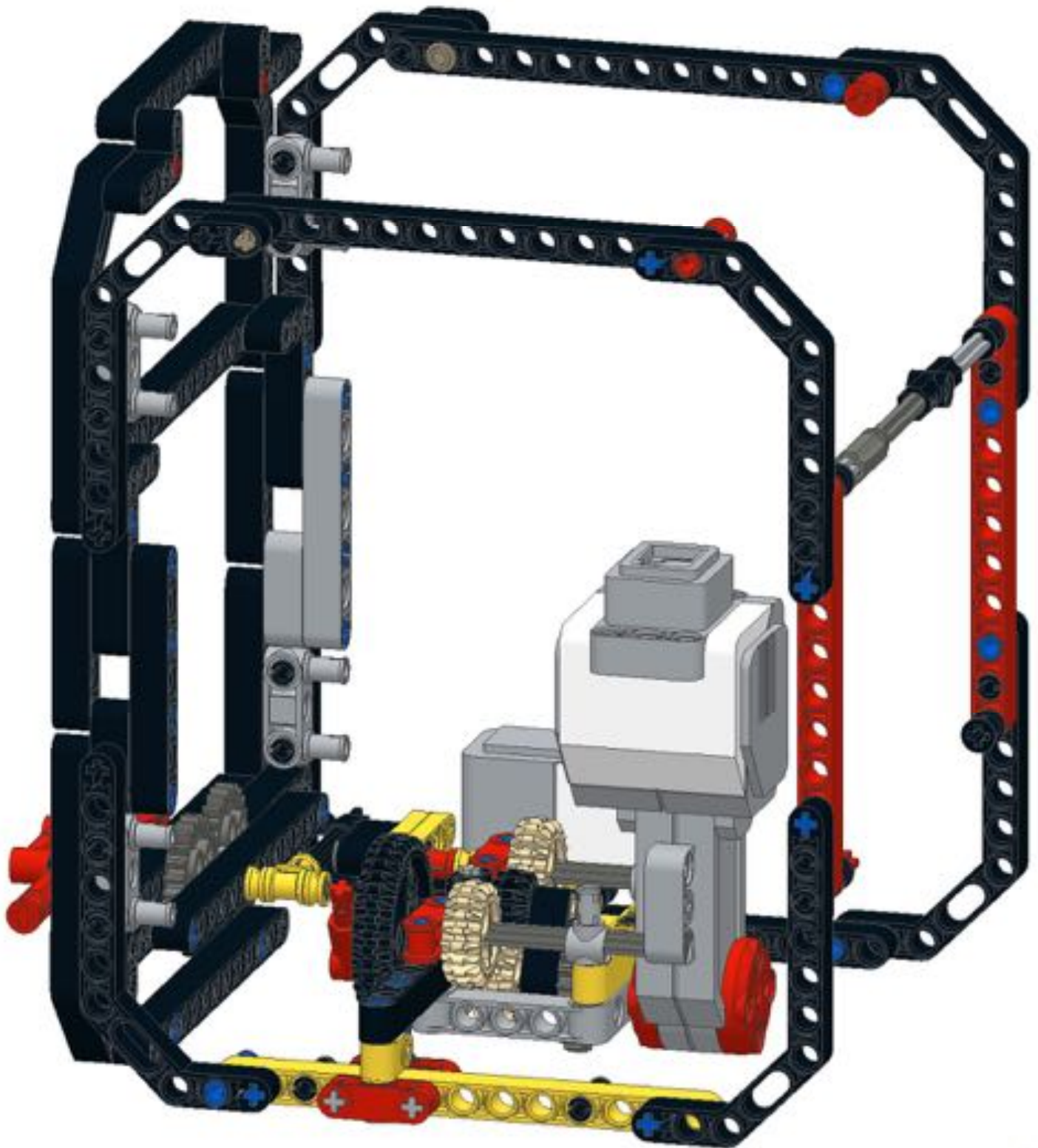
# 111



111

# 112

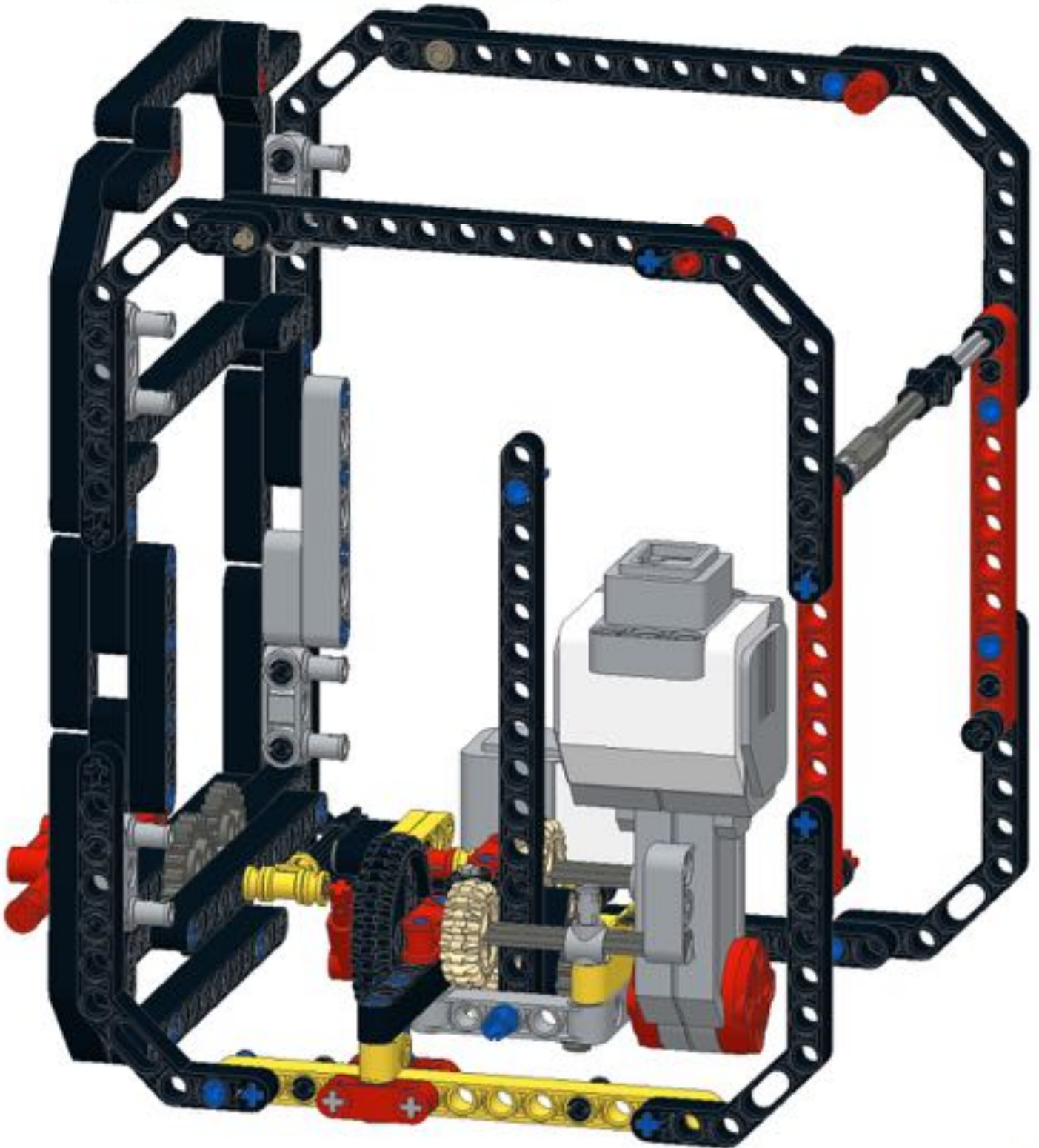
2

1x 1x



112

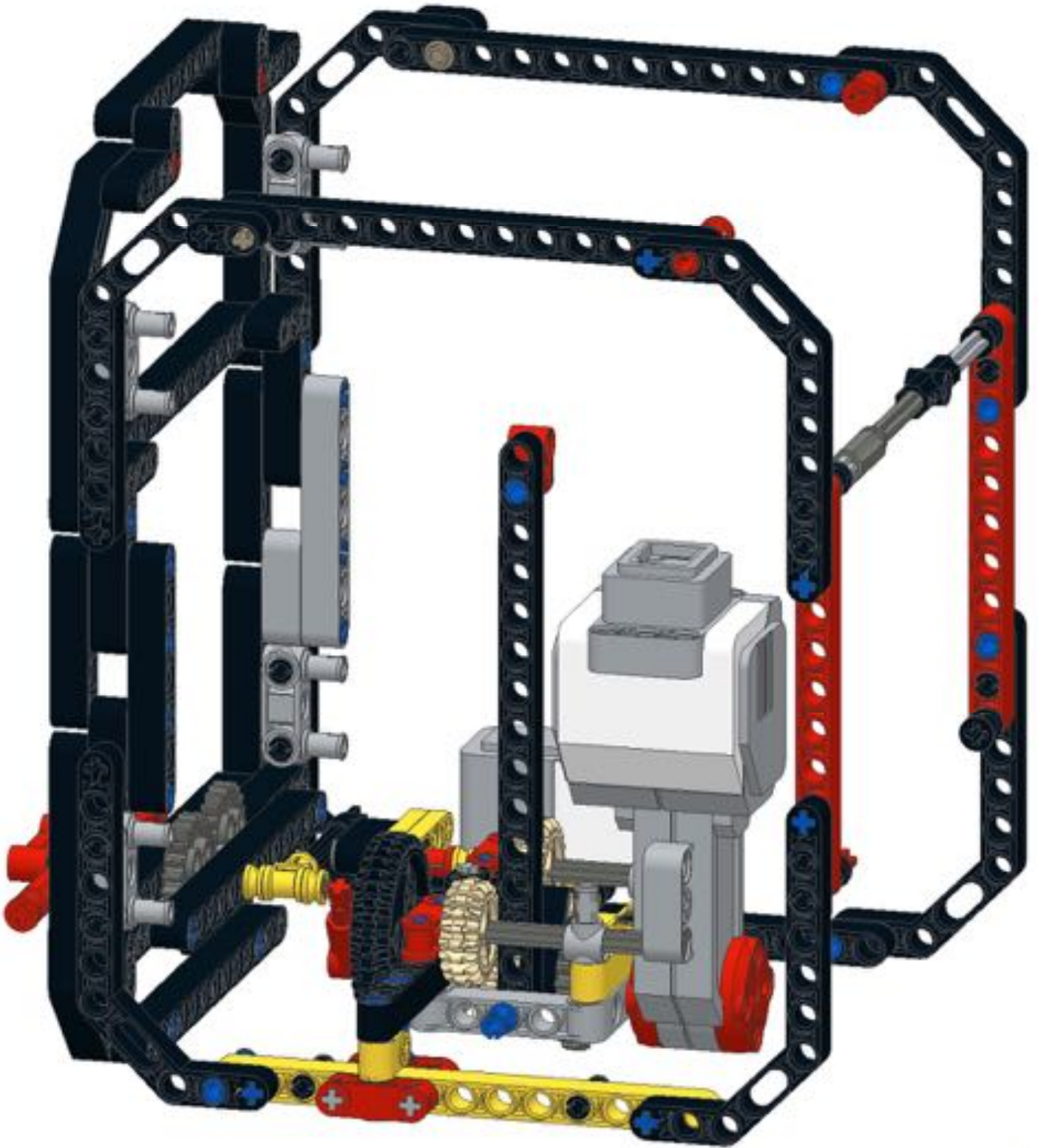


# 113



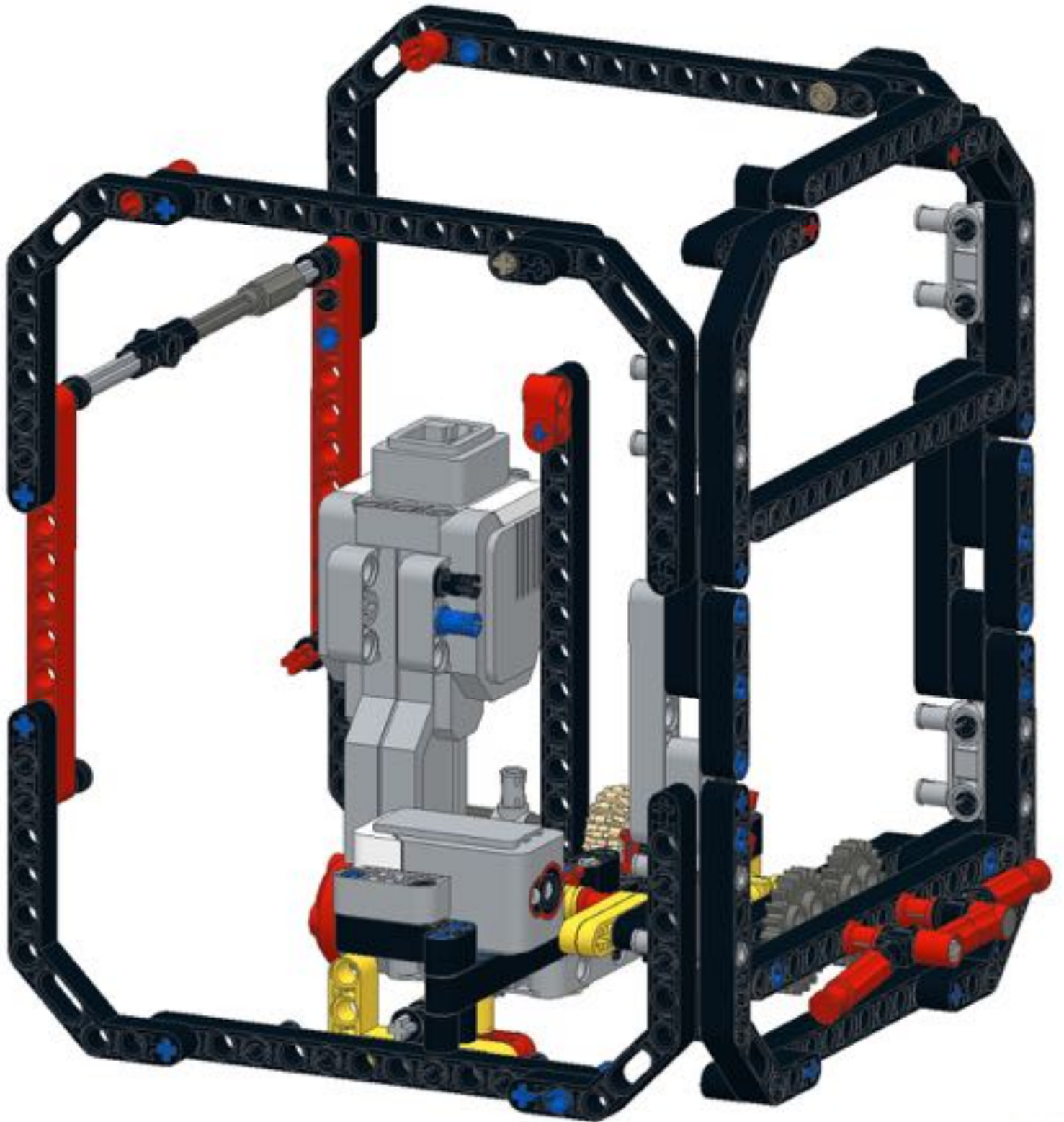
113

# 114



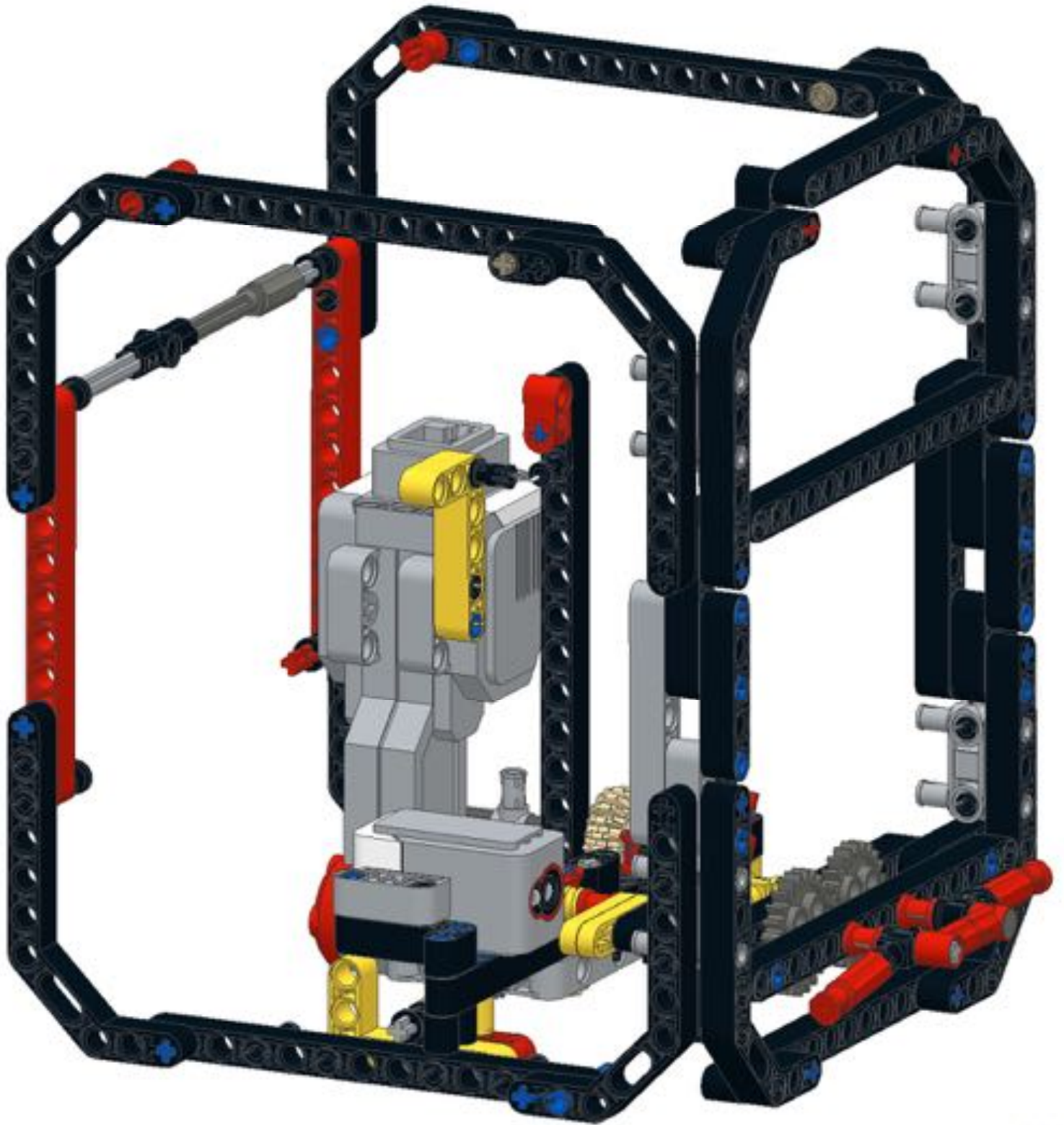
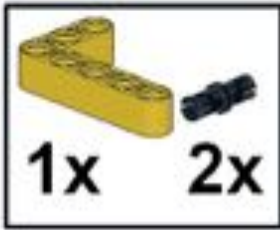
114

# 115



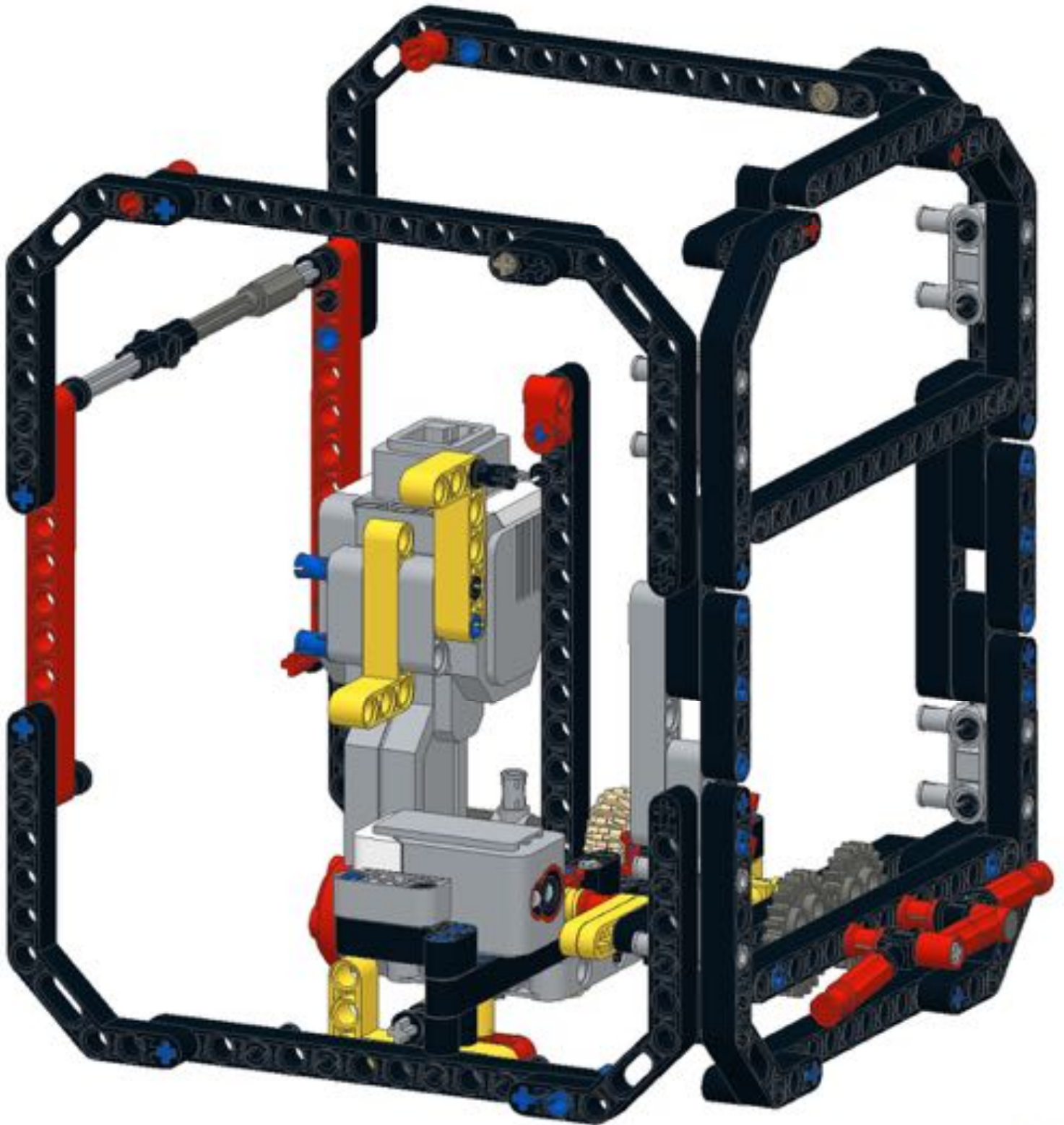
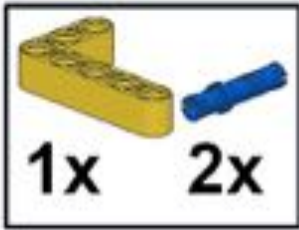
115

# 116



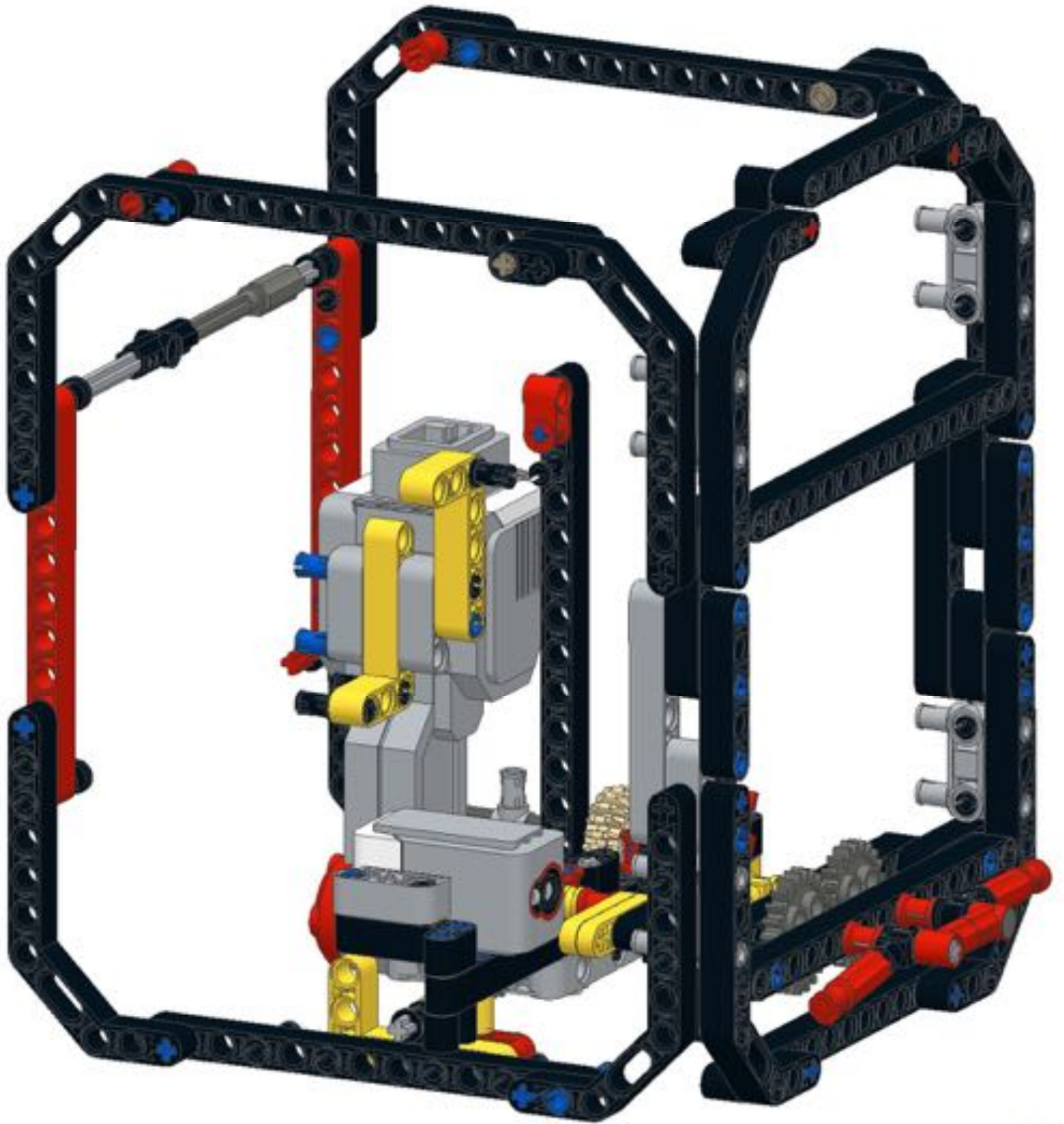
116

# 117



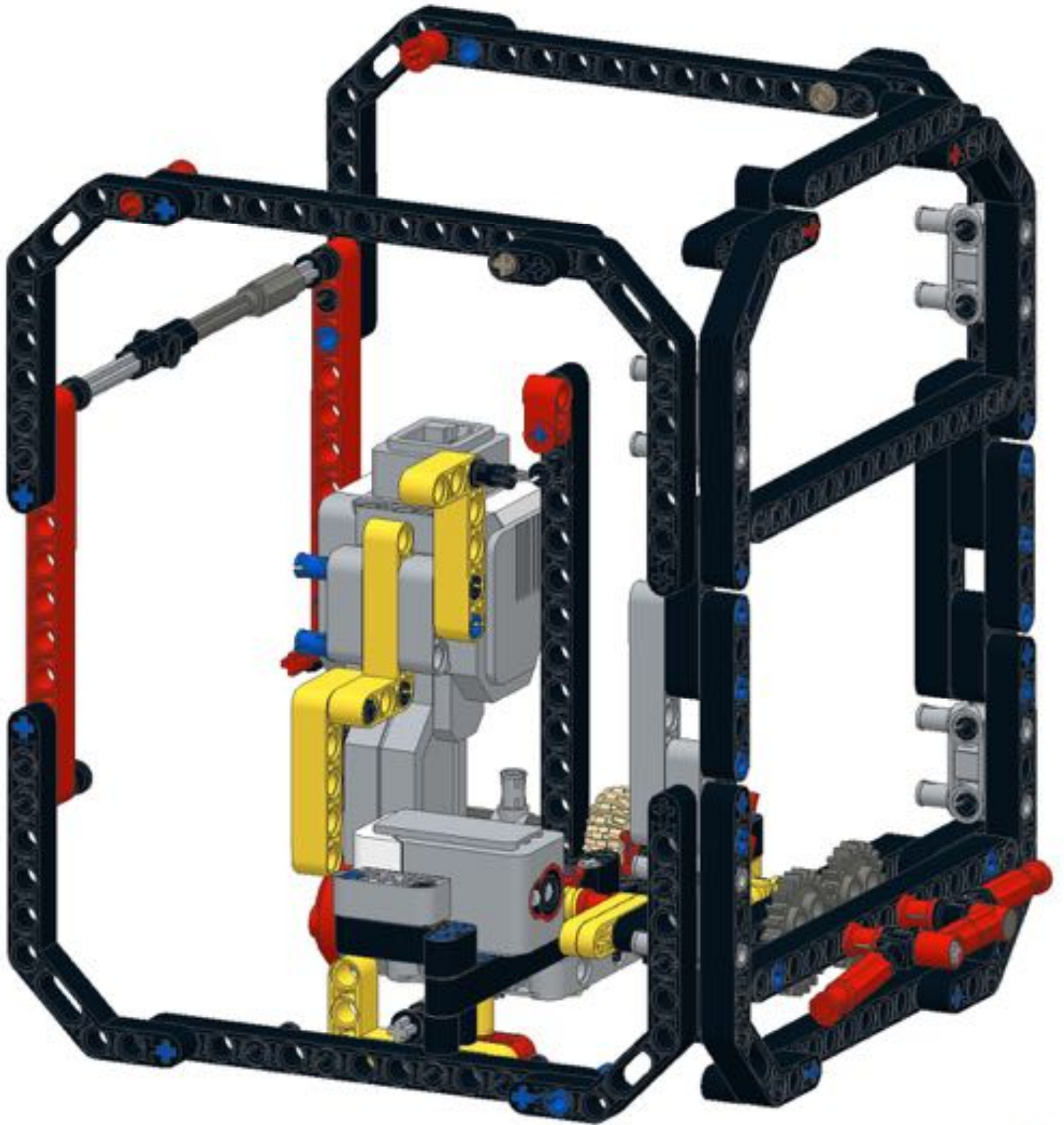
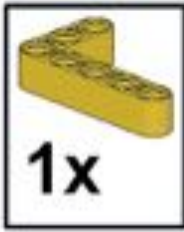
117

118  2x



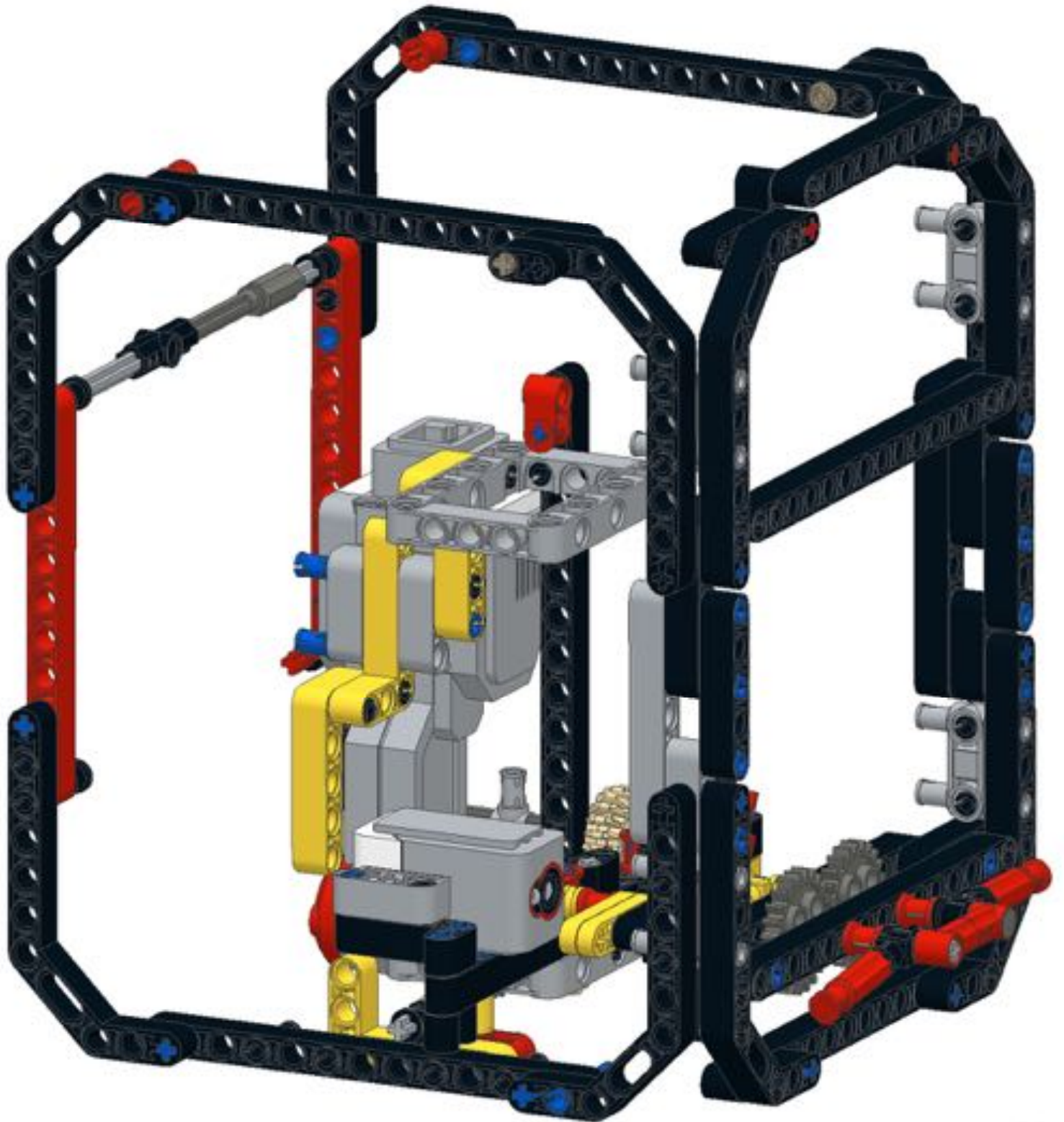
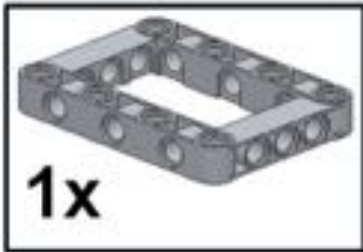
118

# 119



119

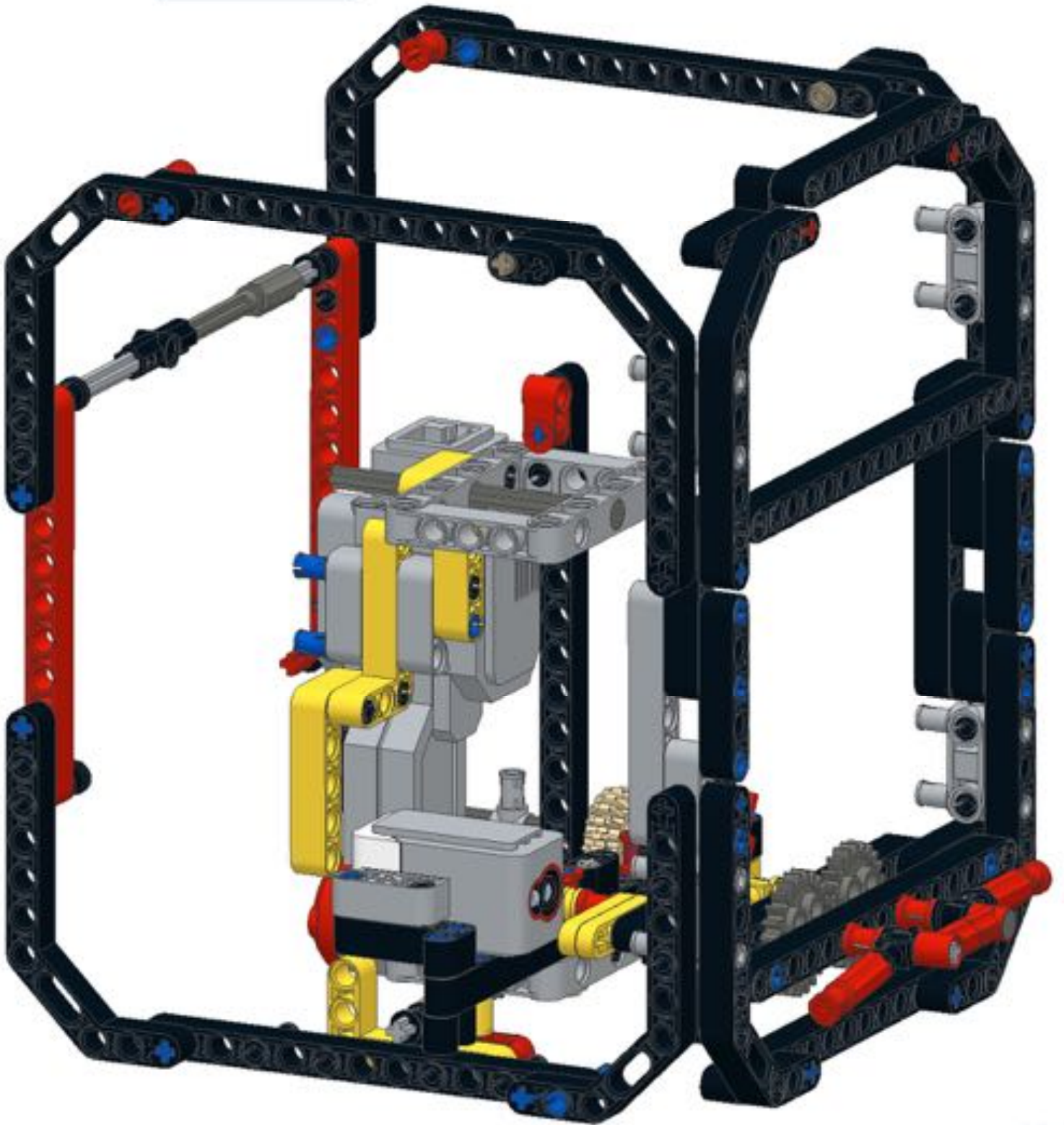
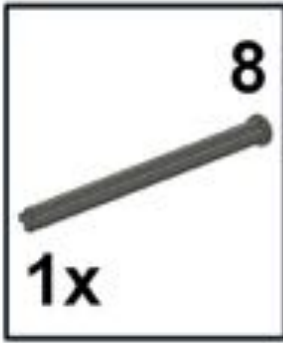
# 120



120

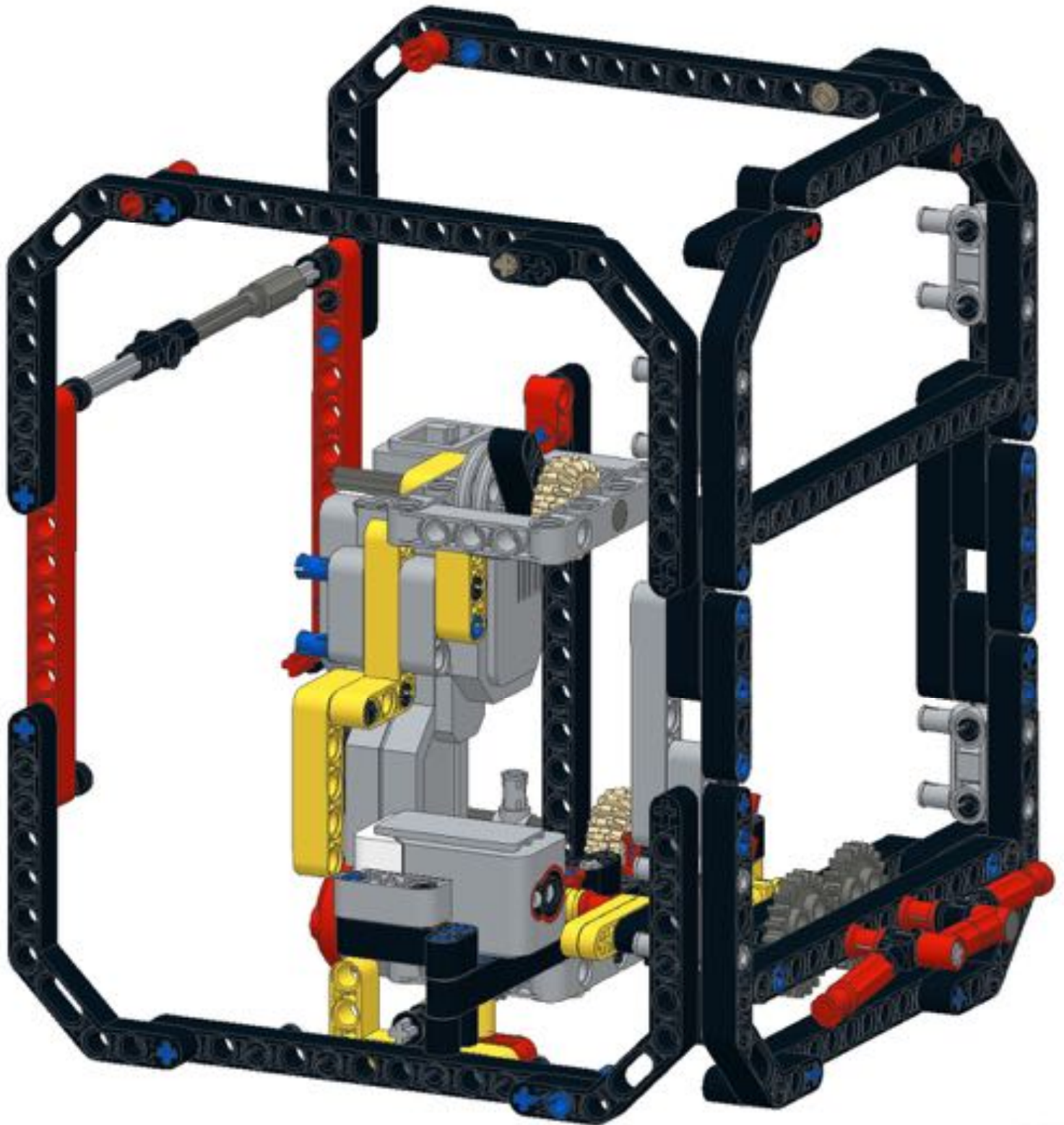
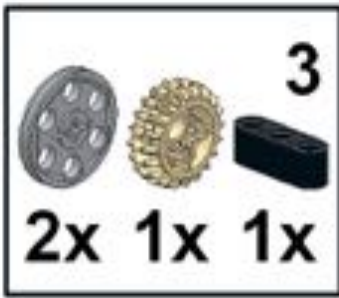


# 121



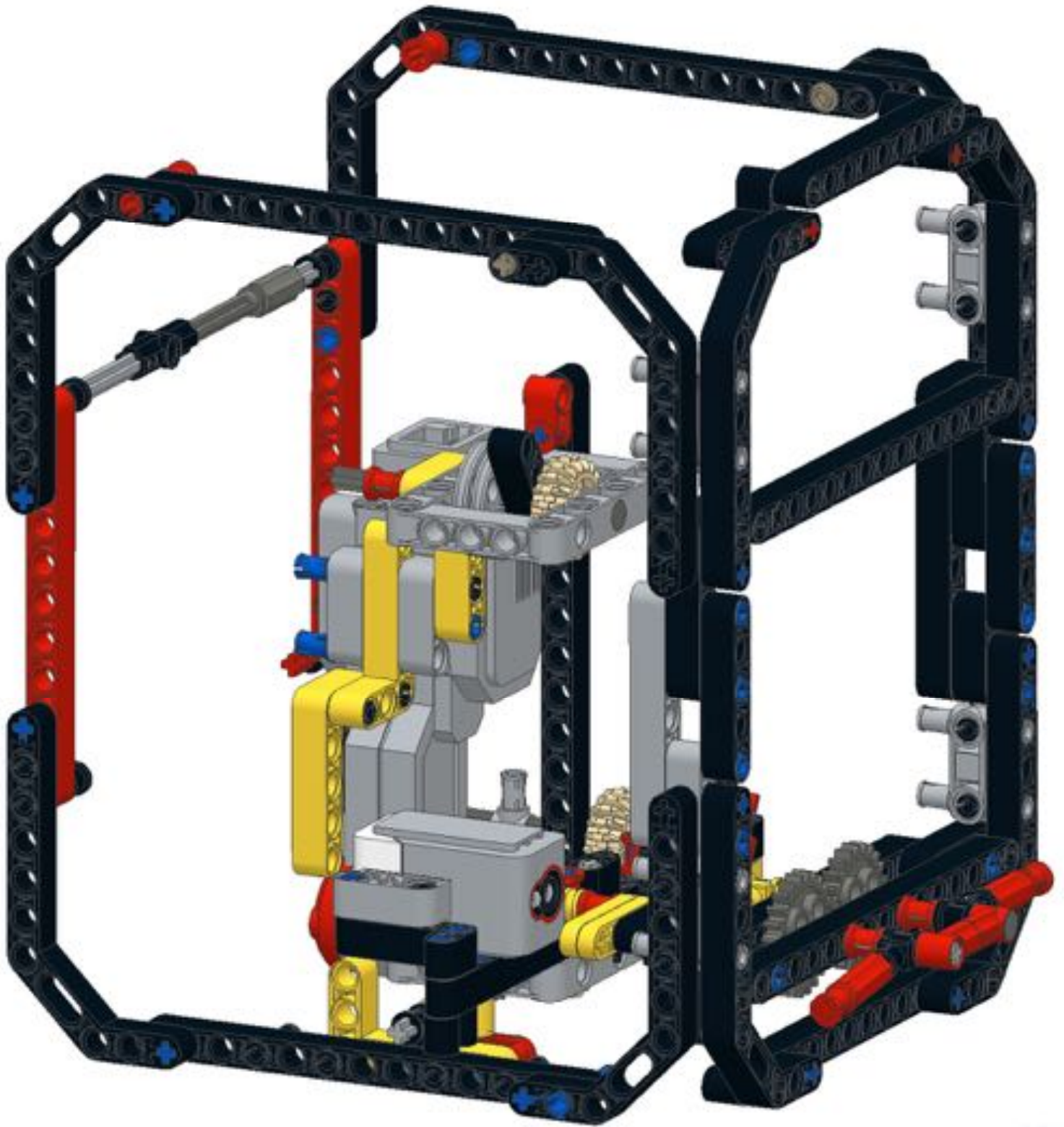
# 121

# 122



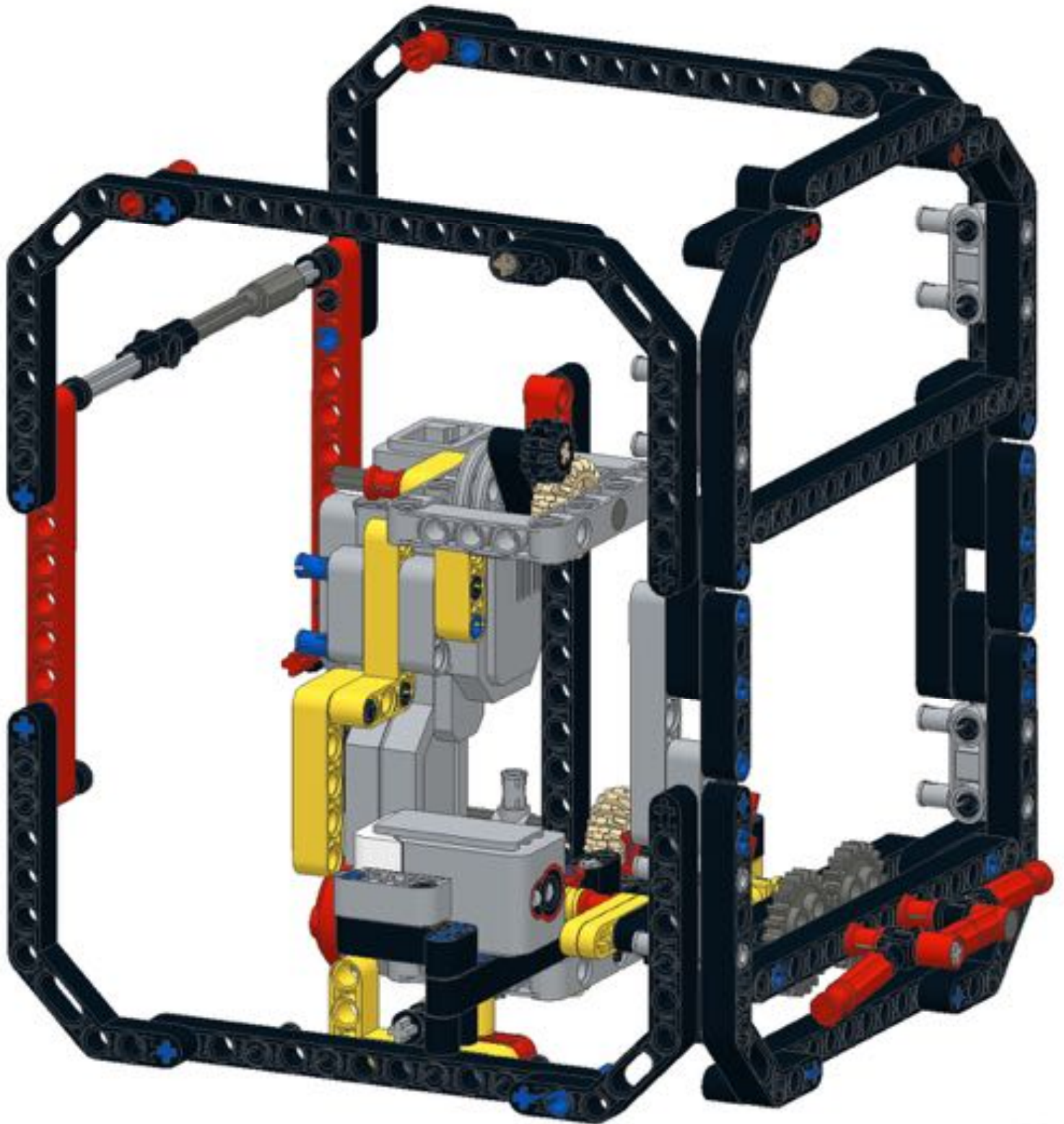
122

123  1x



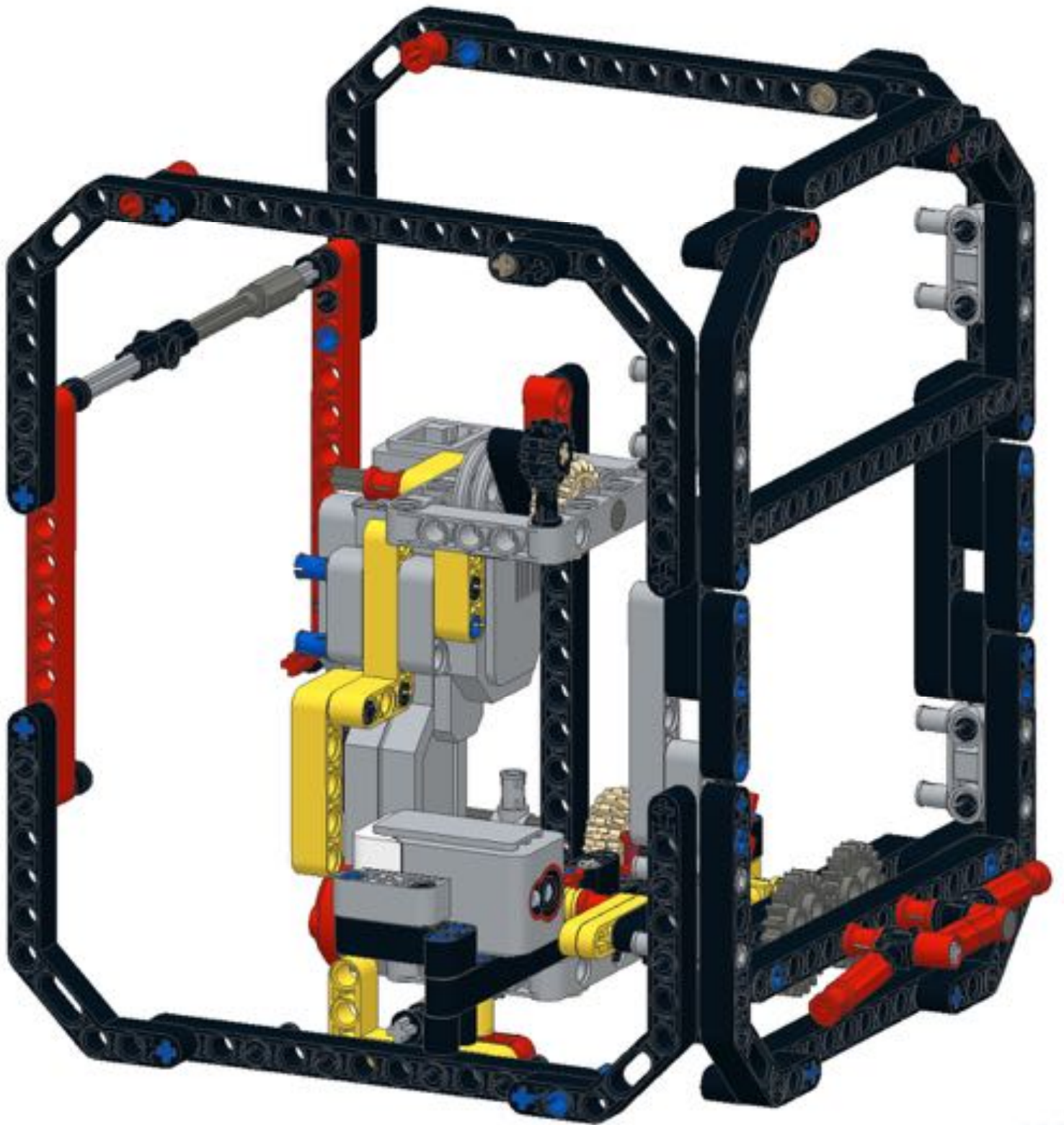
123

# 124



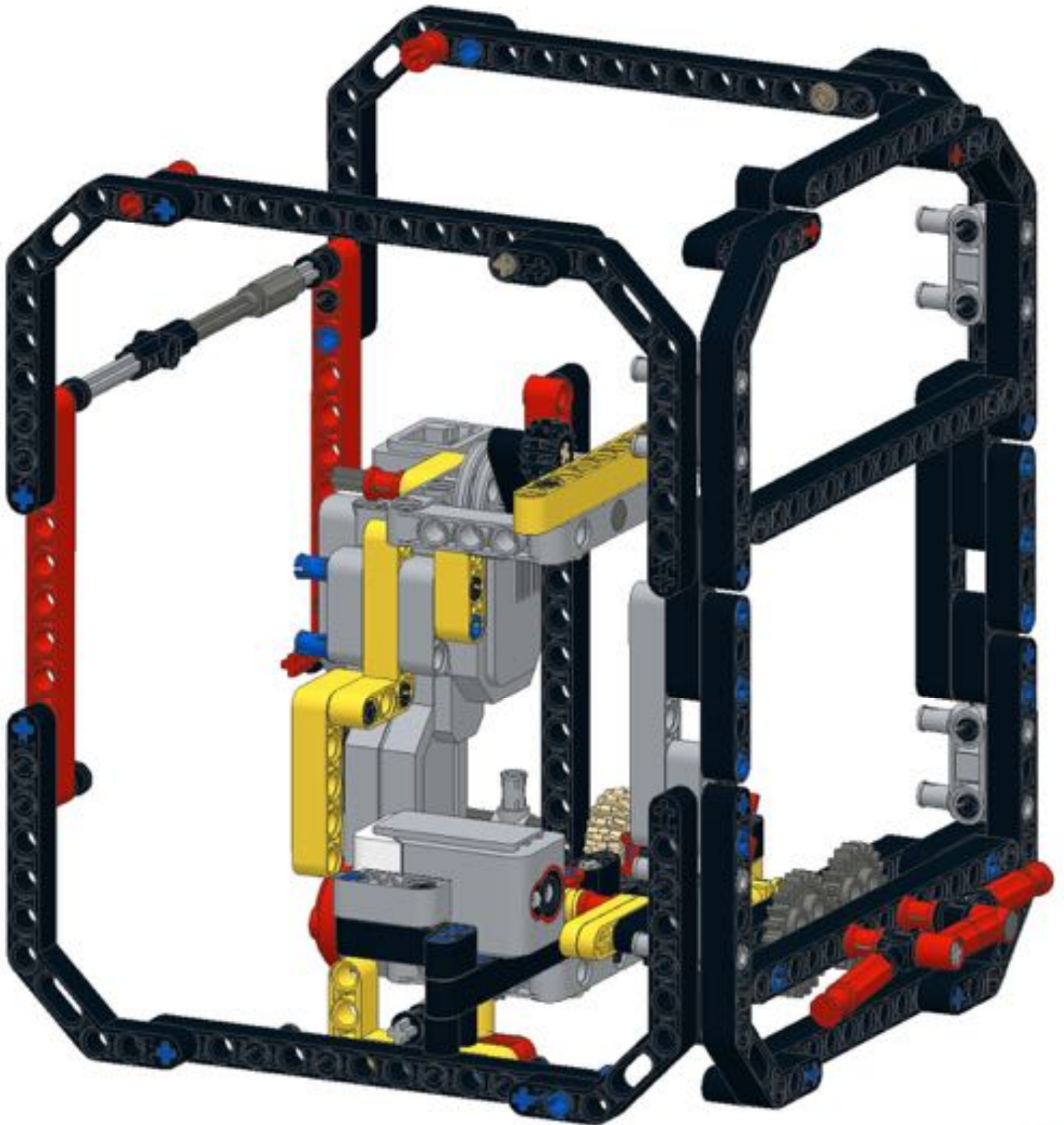
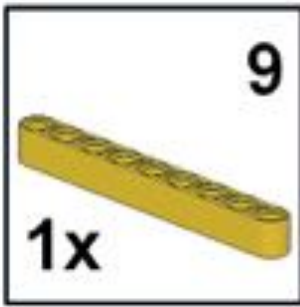
124

125  2x



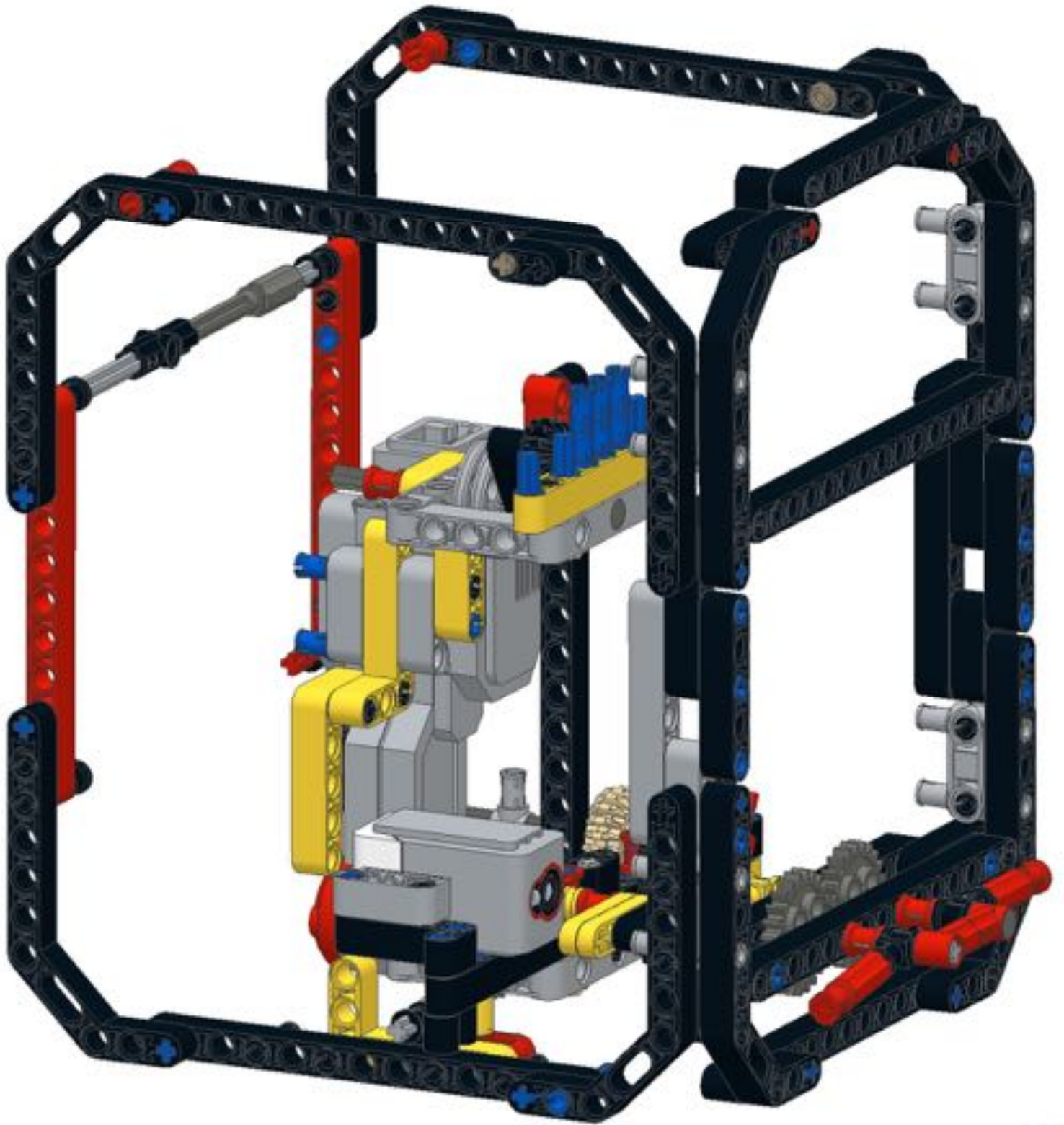
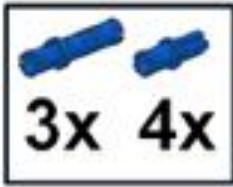
125

# 126



126

# 127



127

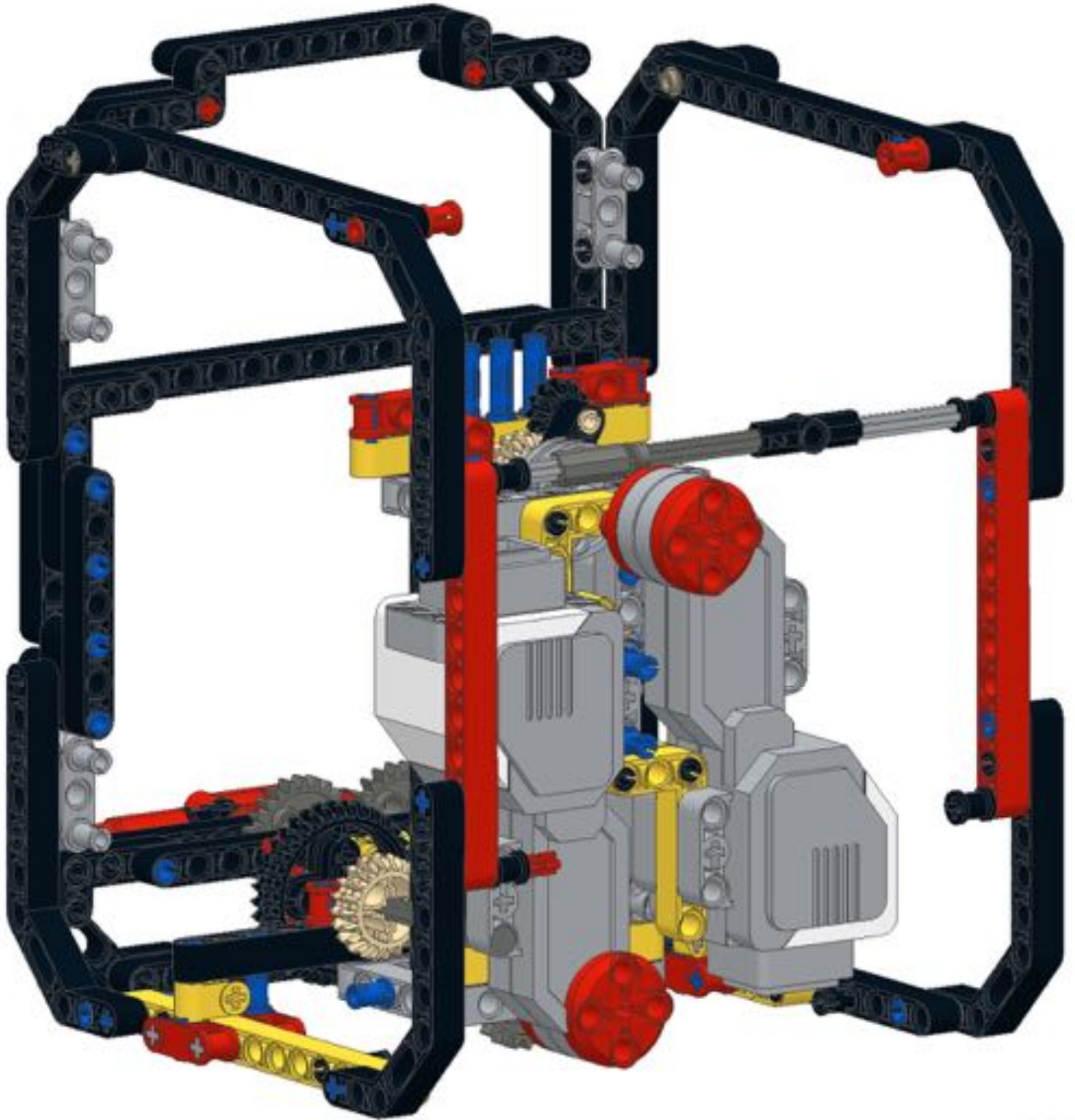
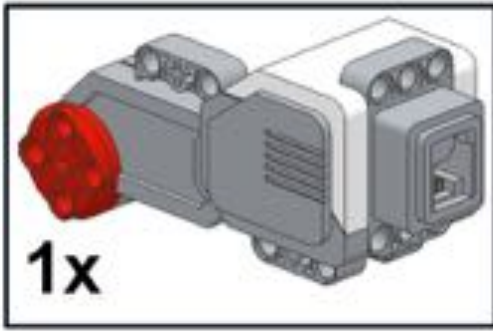
# 128



128

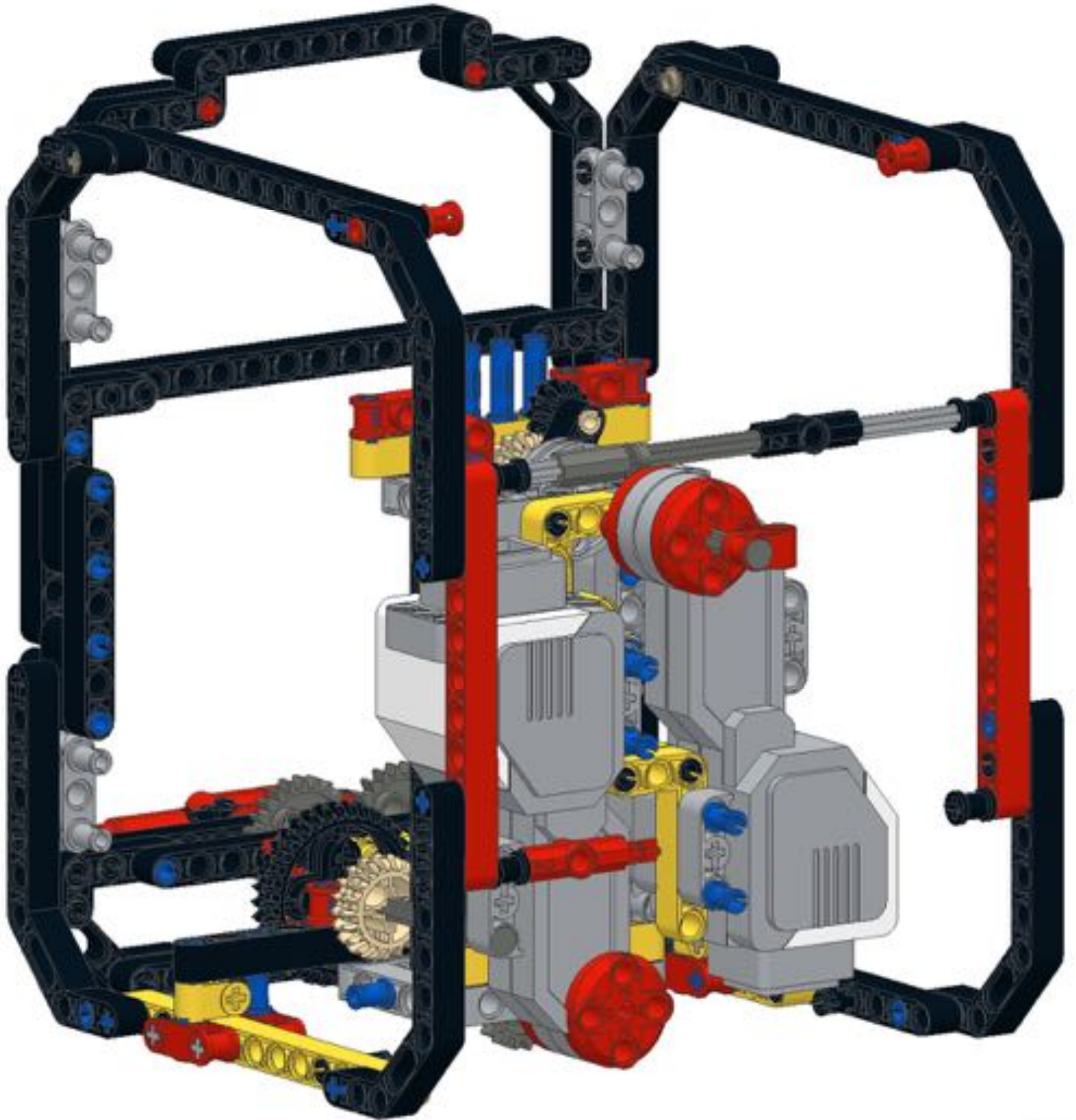
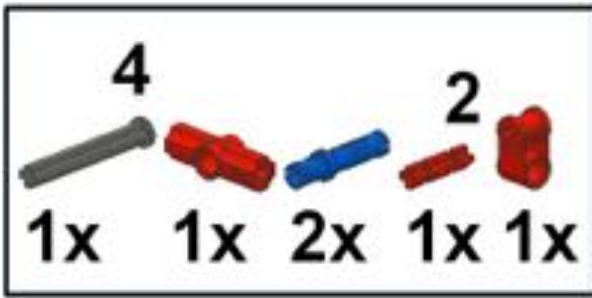


# 129



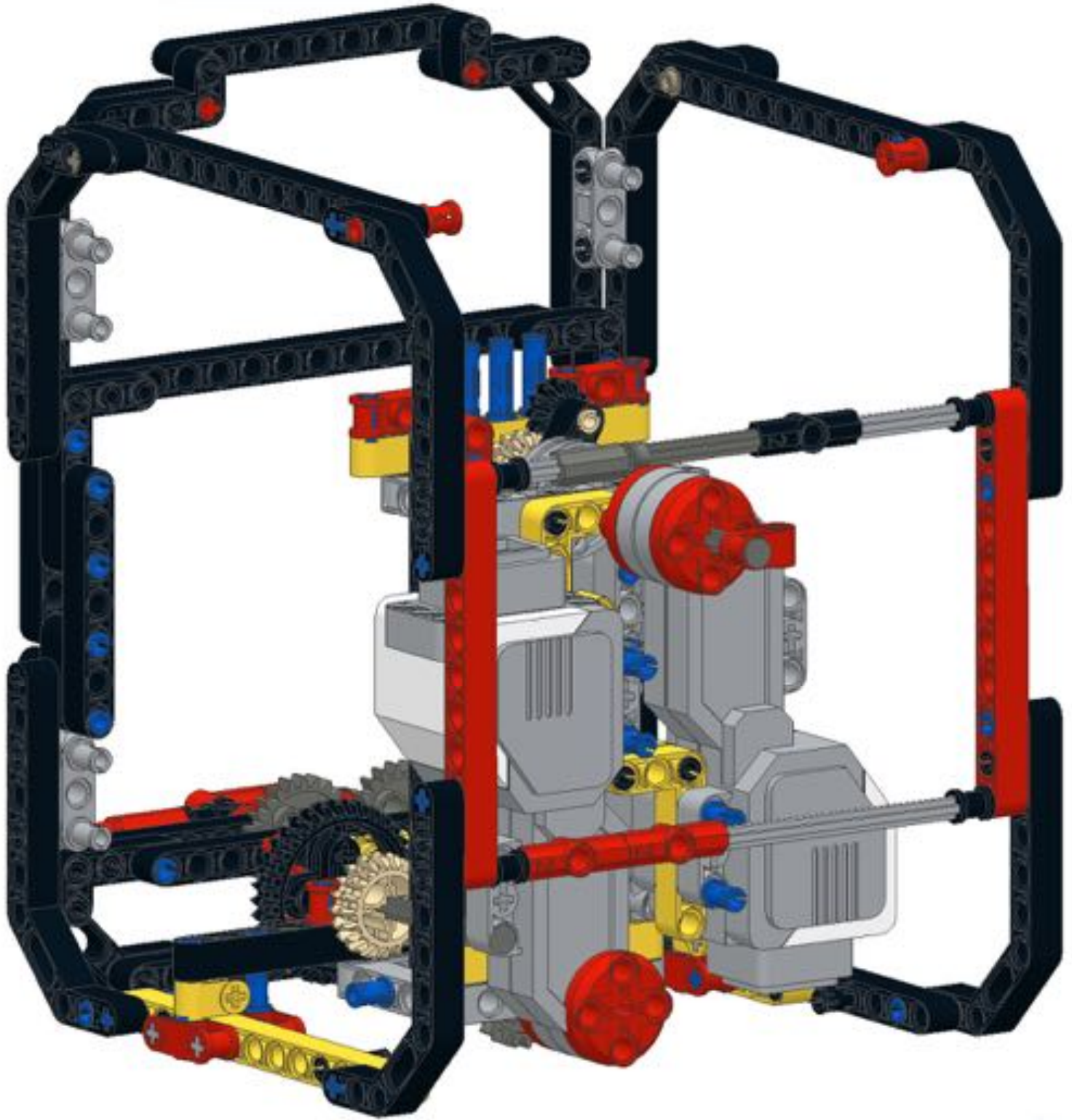
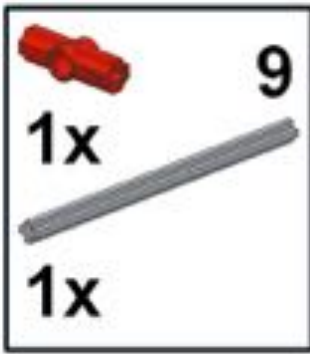
129

# 130





130

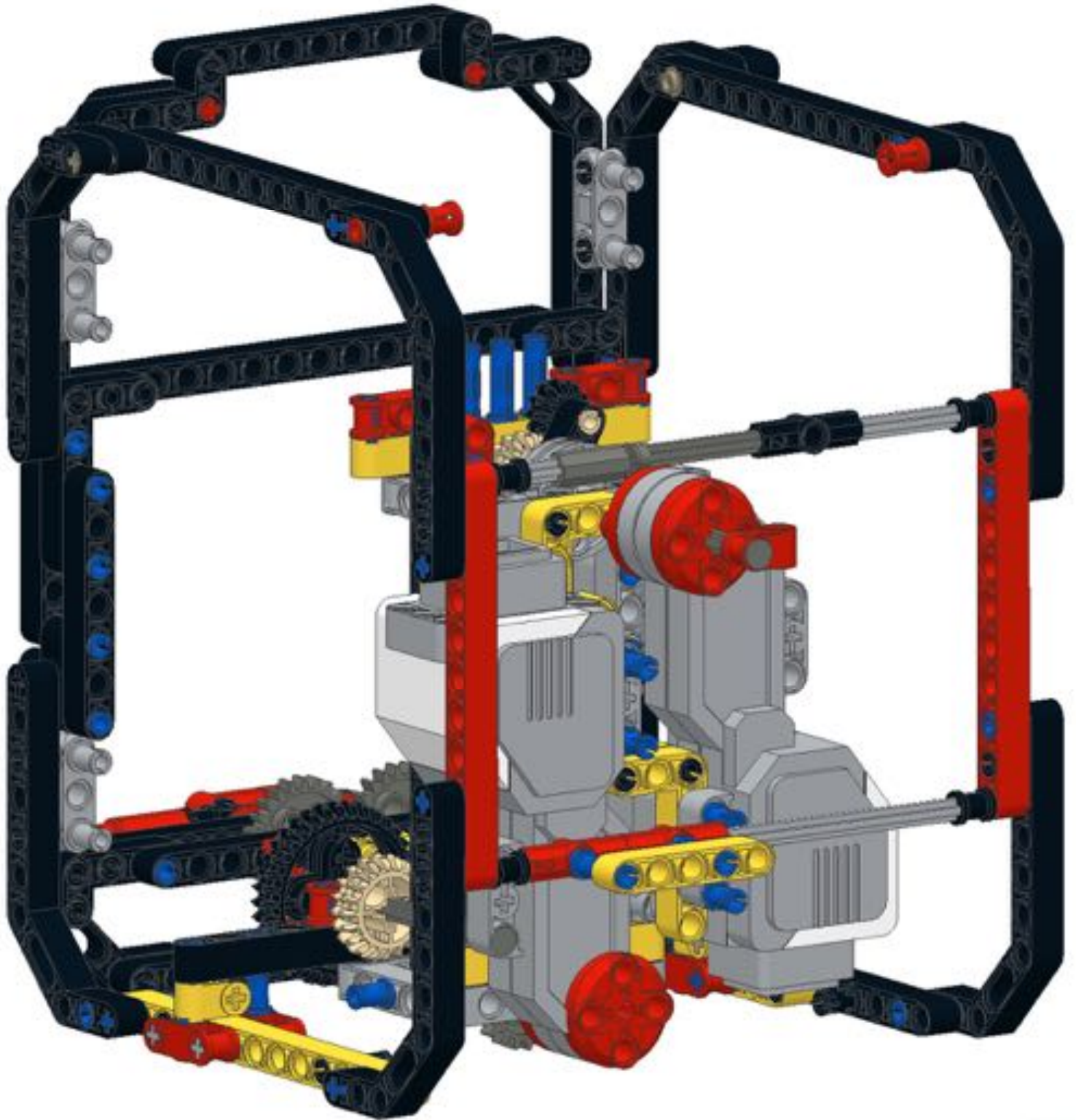
# 131



131

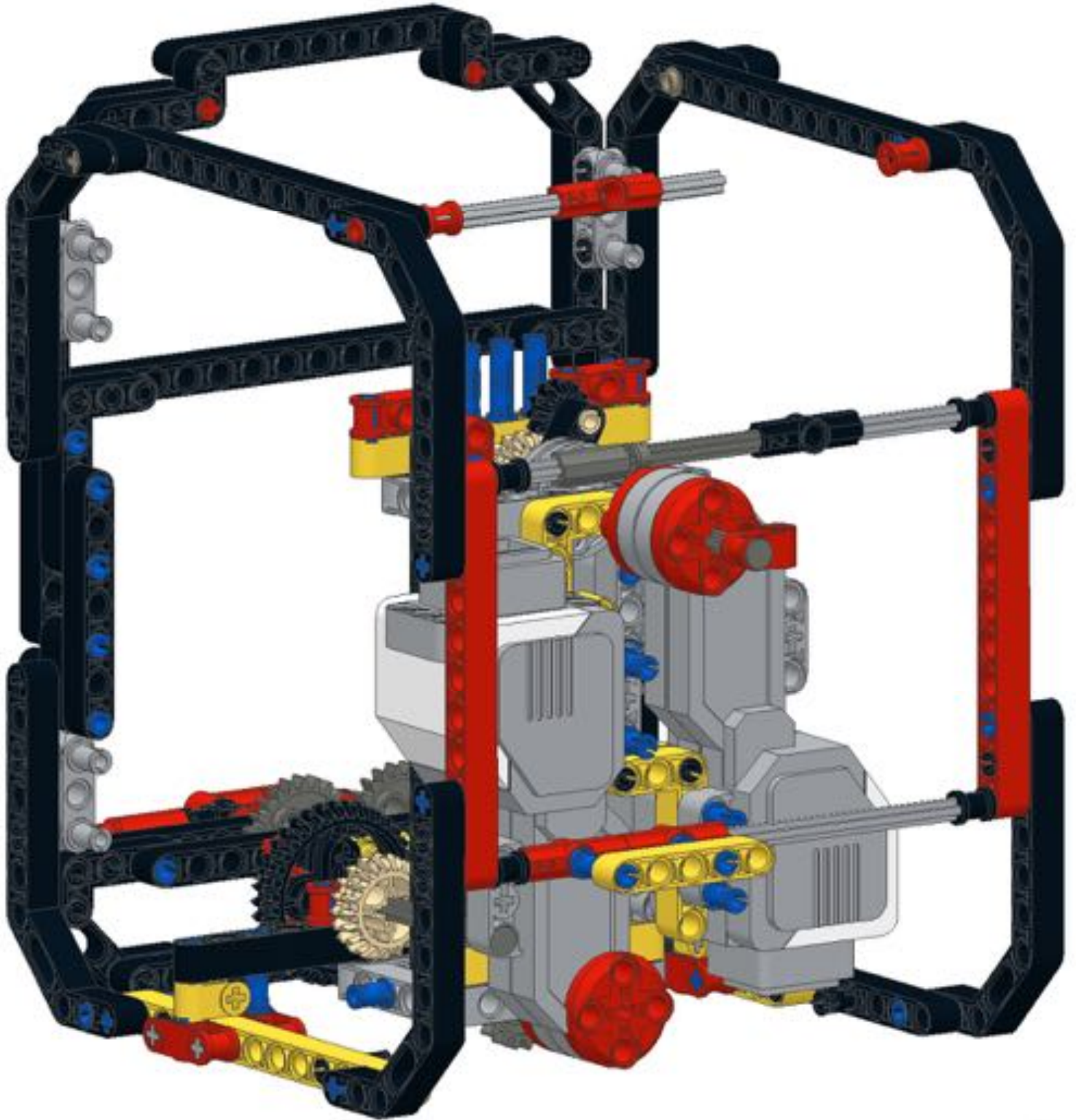
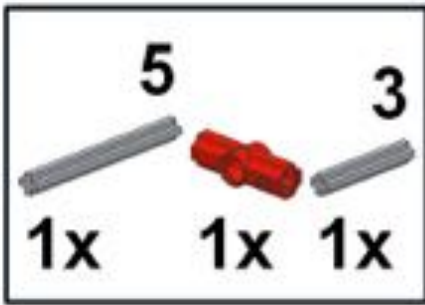
# 132

	5
	
1x	2x



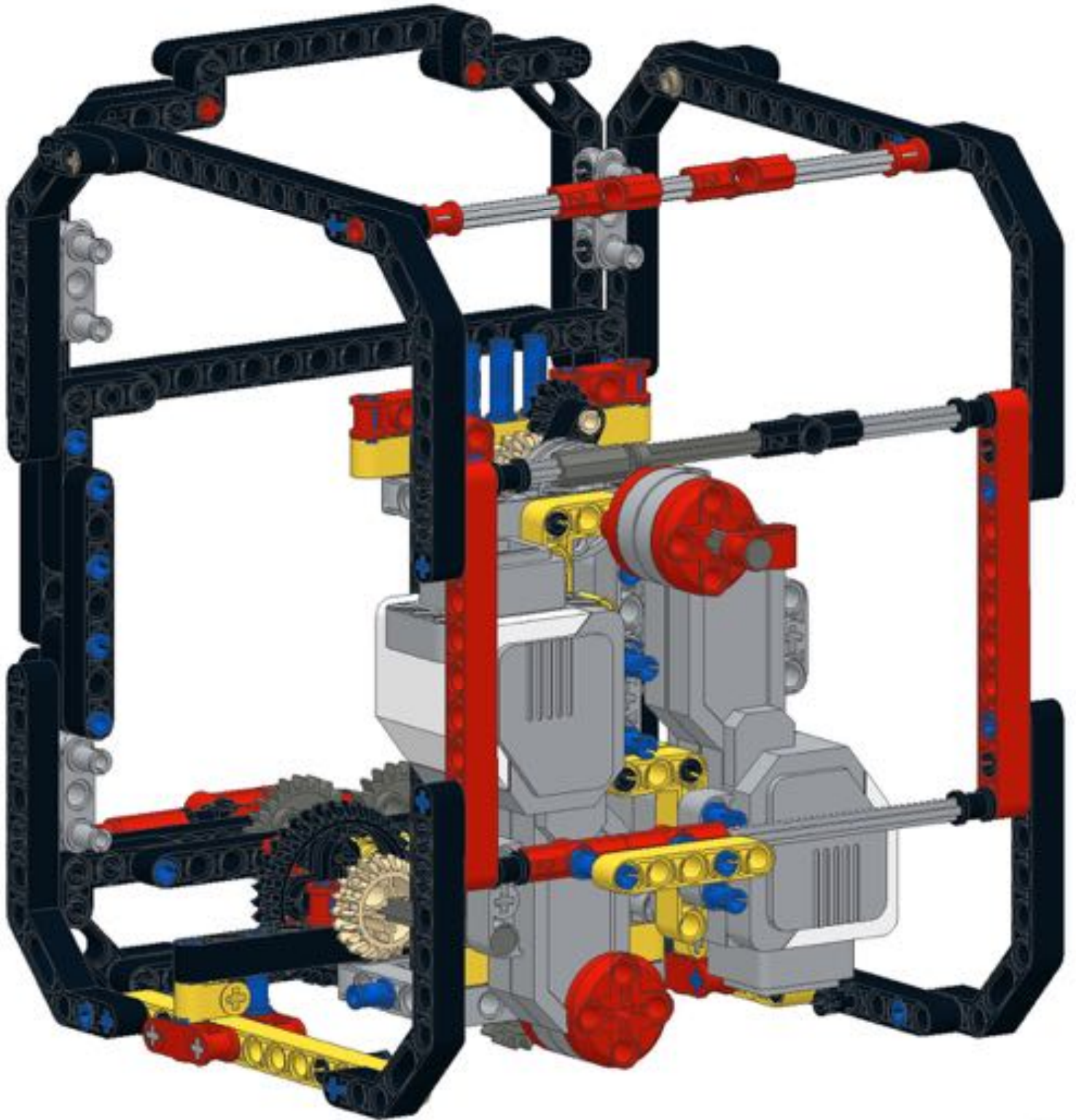
132

# 133



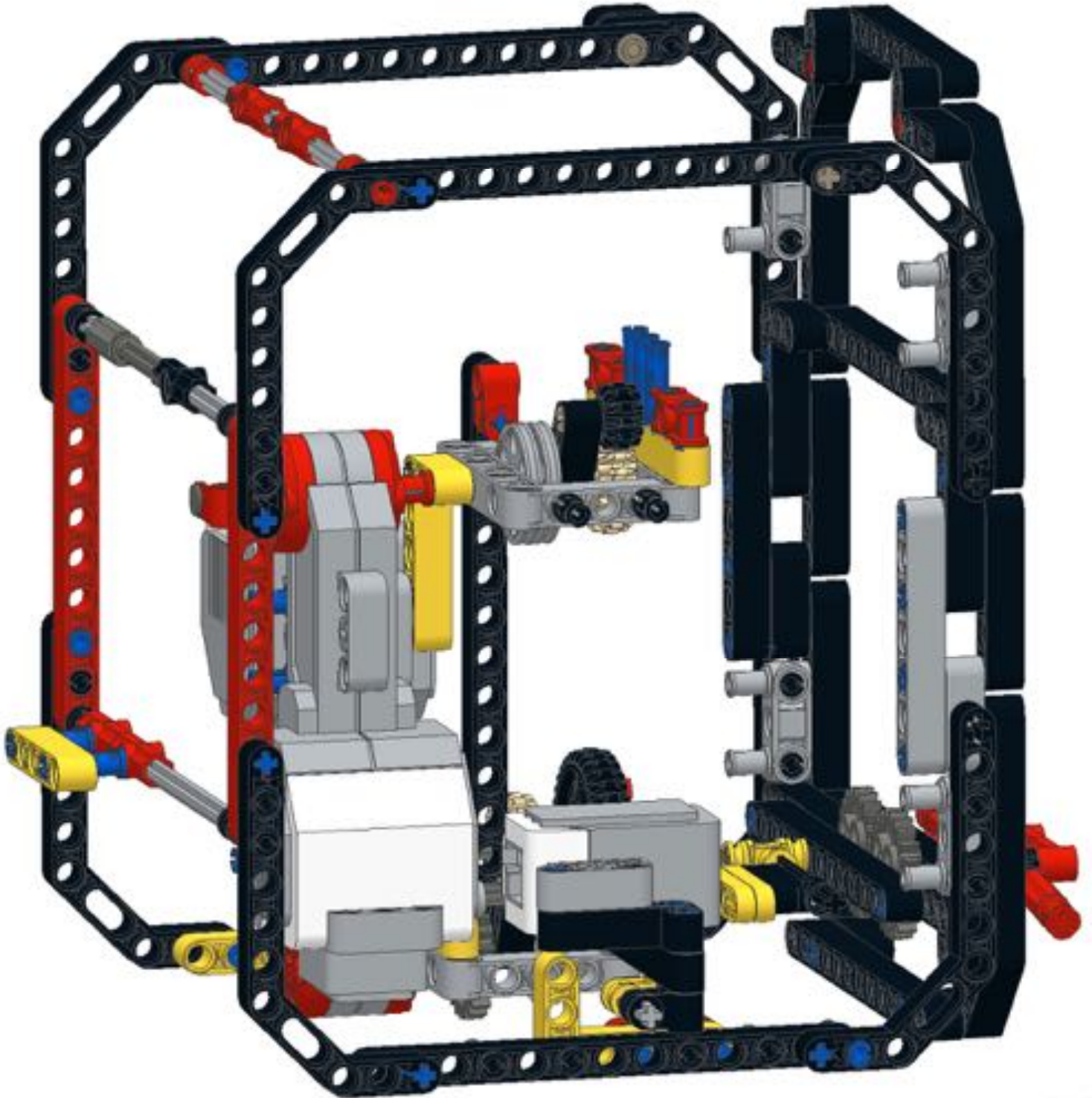
133

# 134






134

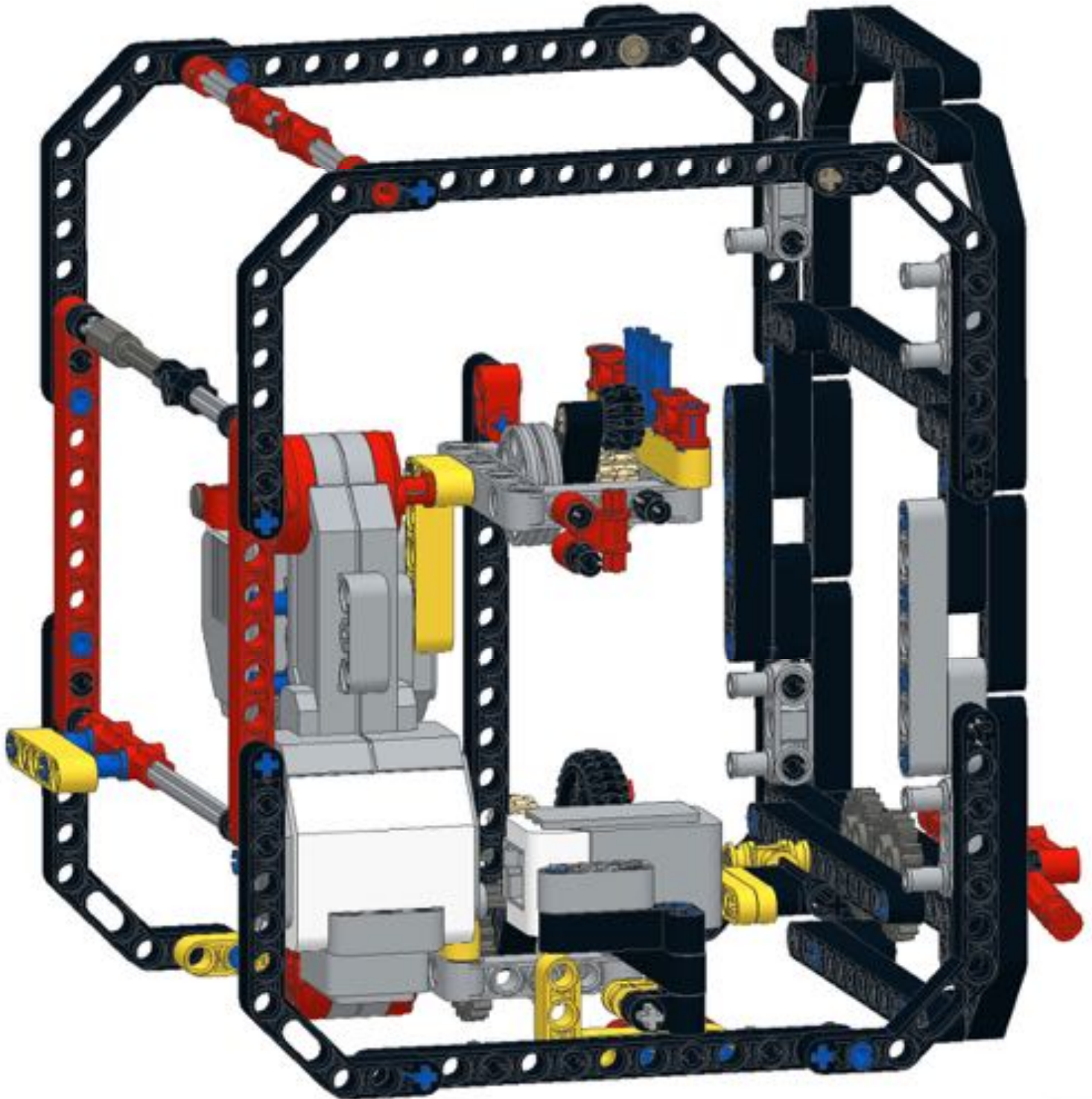
135  2x



135

# 136

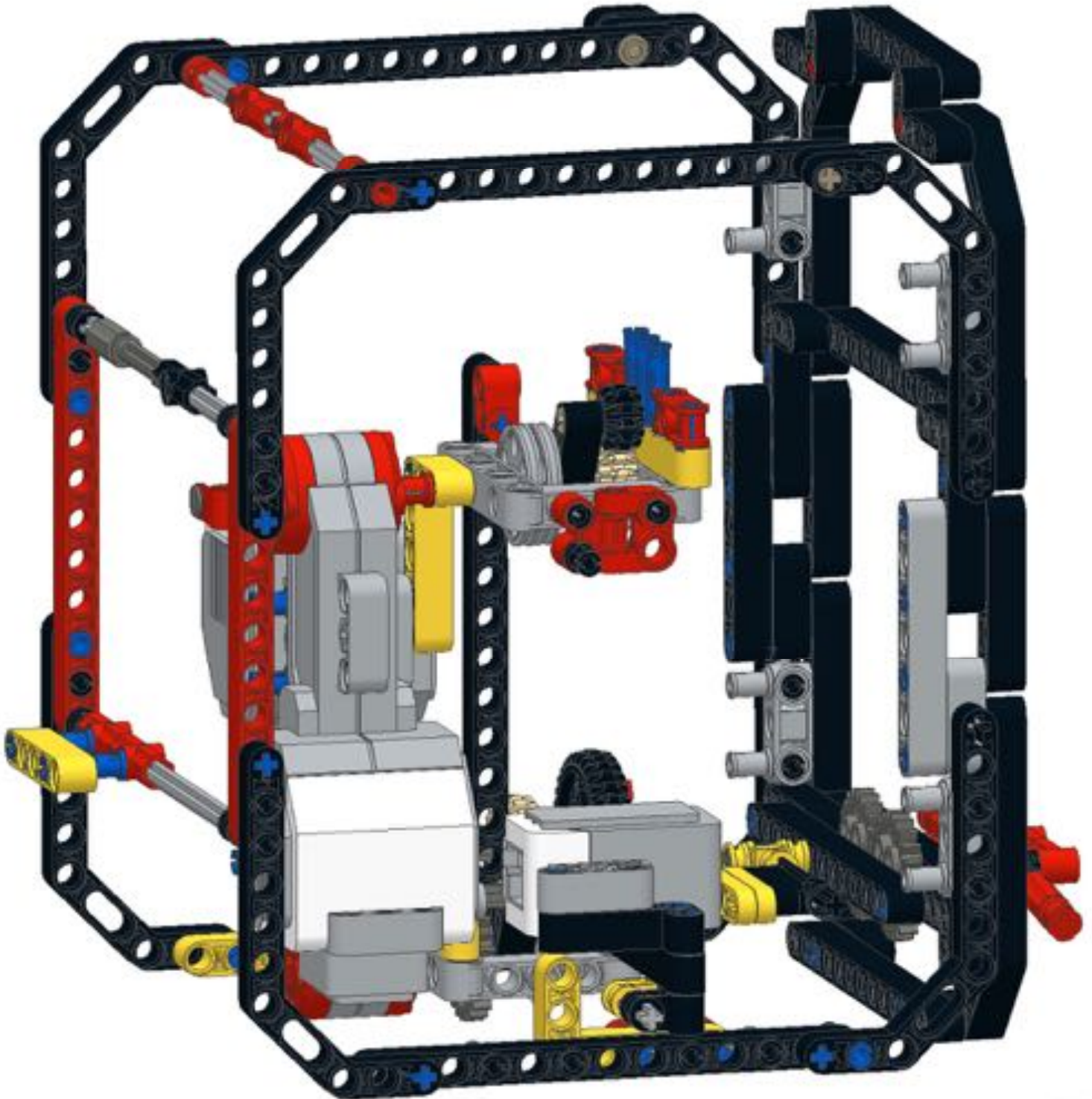
	<b>2</b>		
<b>1x</b>	<b>1x</b>	<b>1x</b>	



136

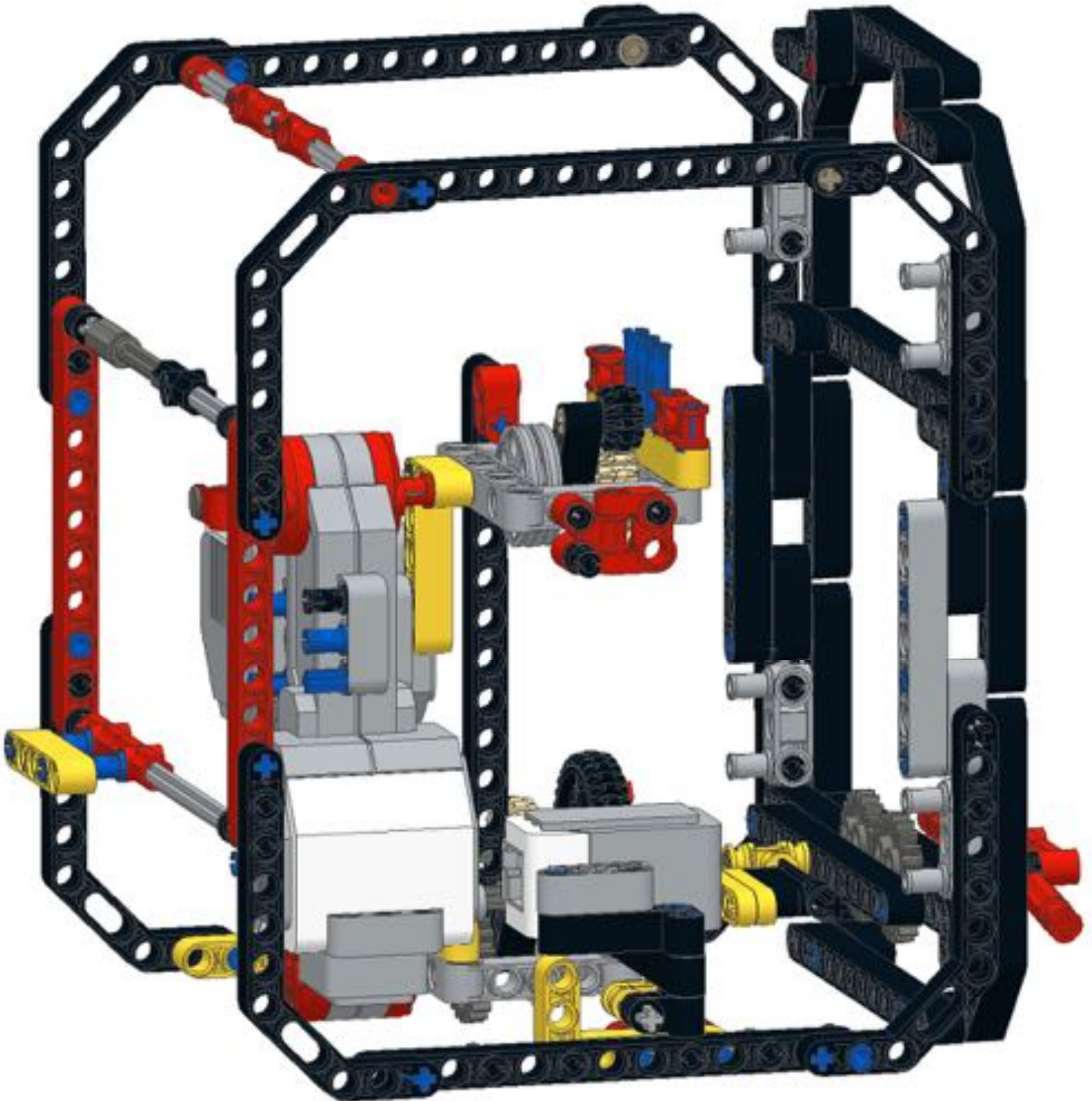


# 137



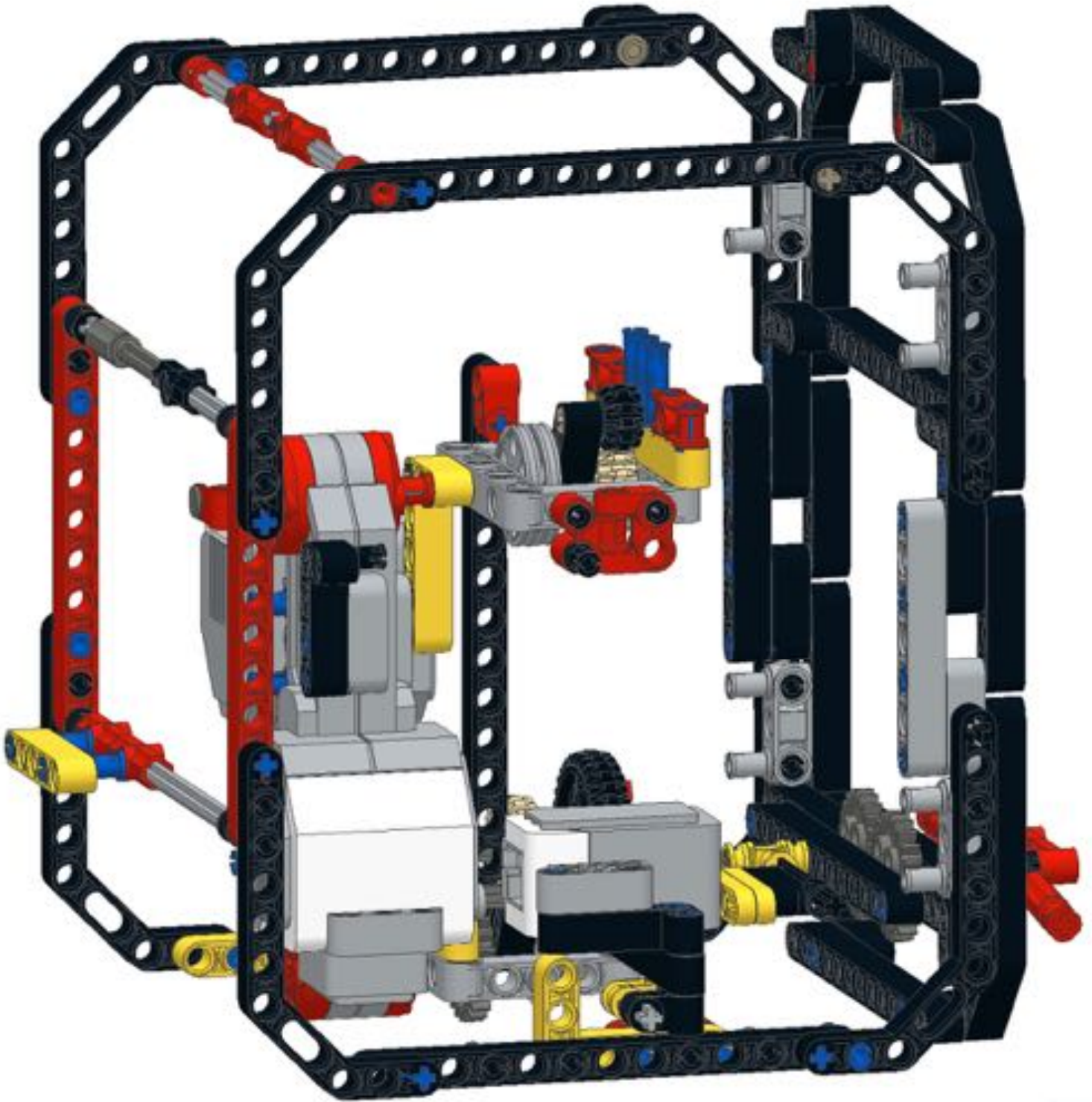
137

# 138



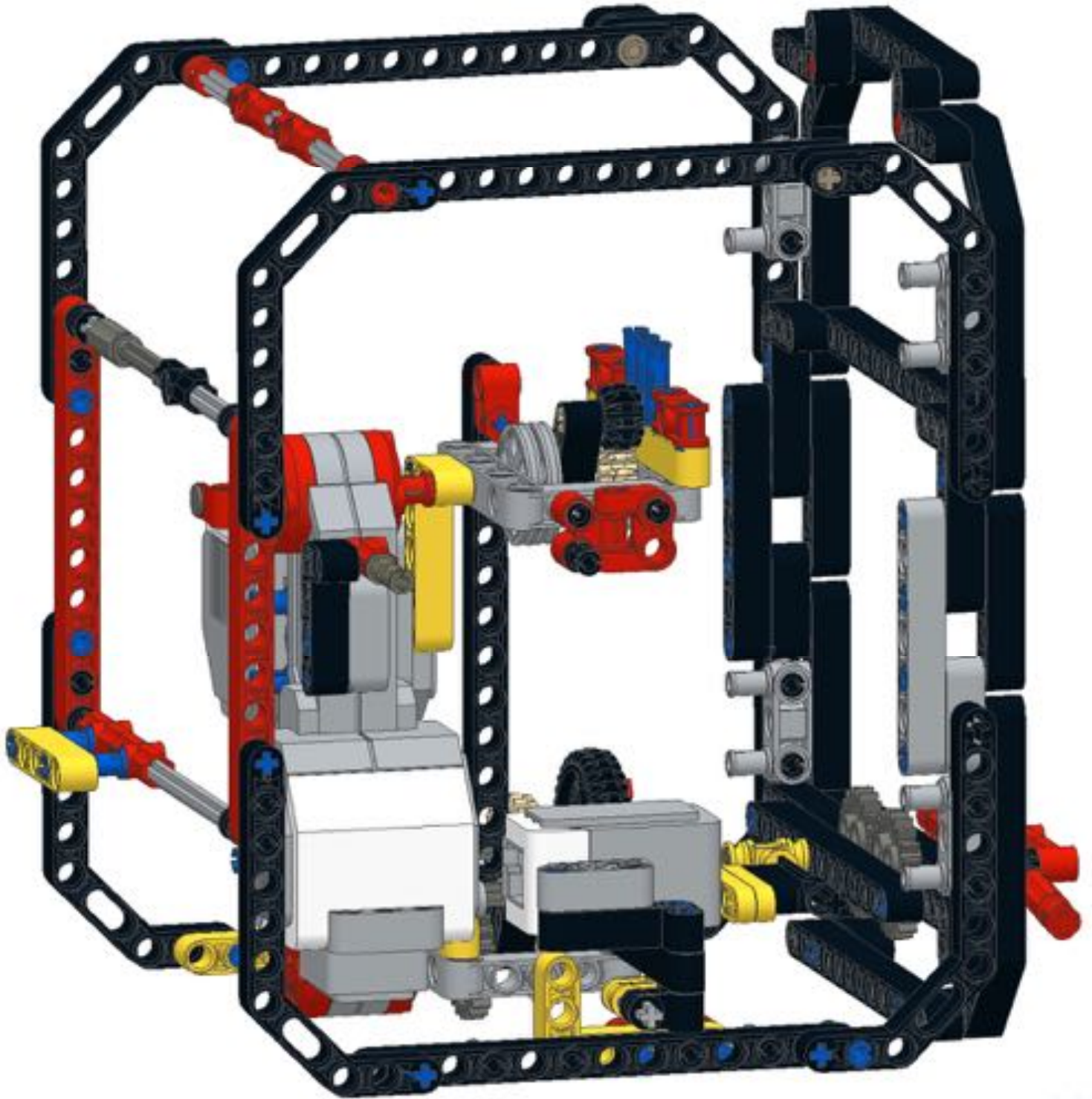
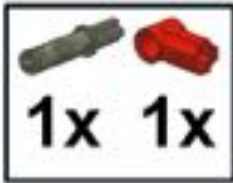
138

# 139



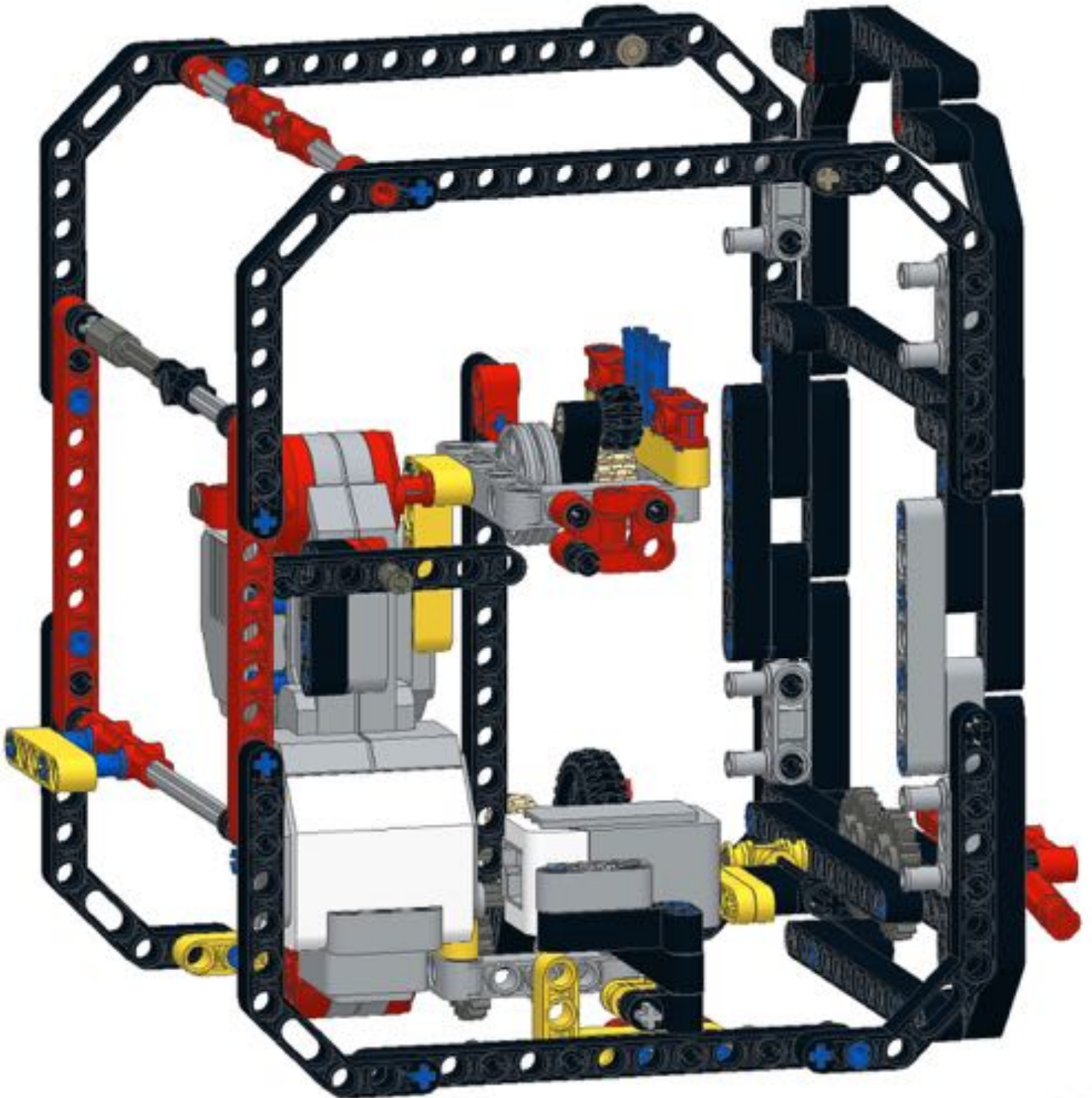
139

# 140

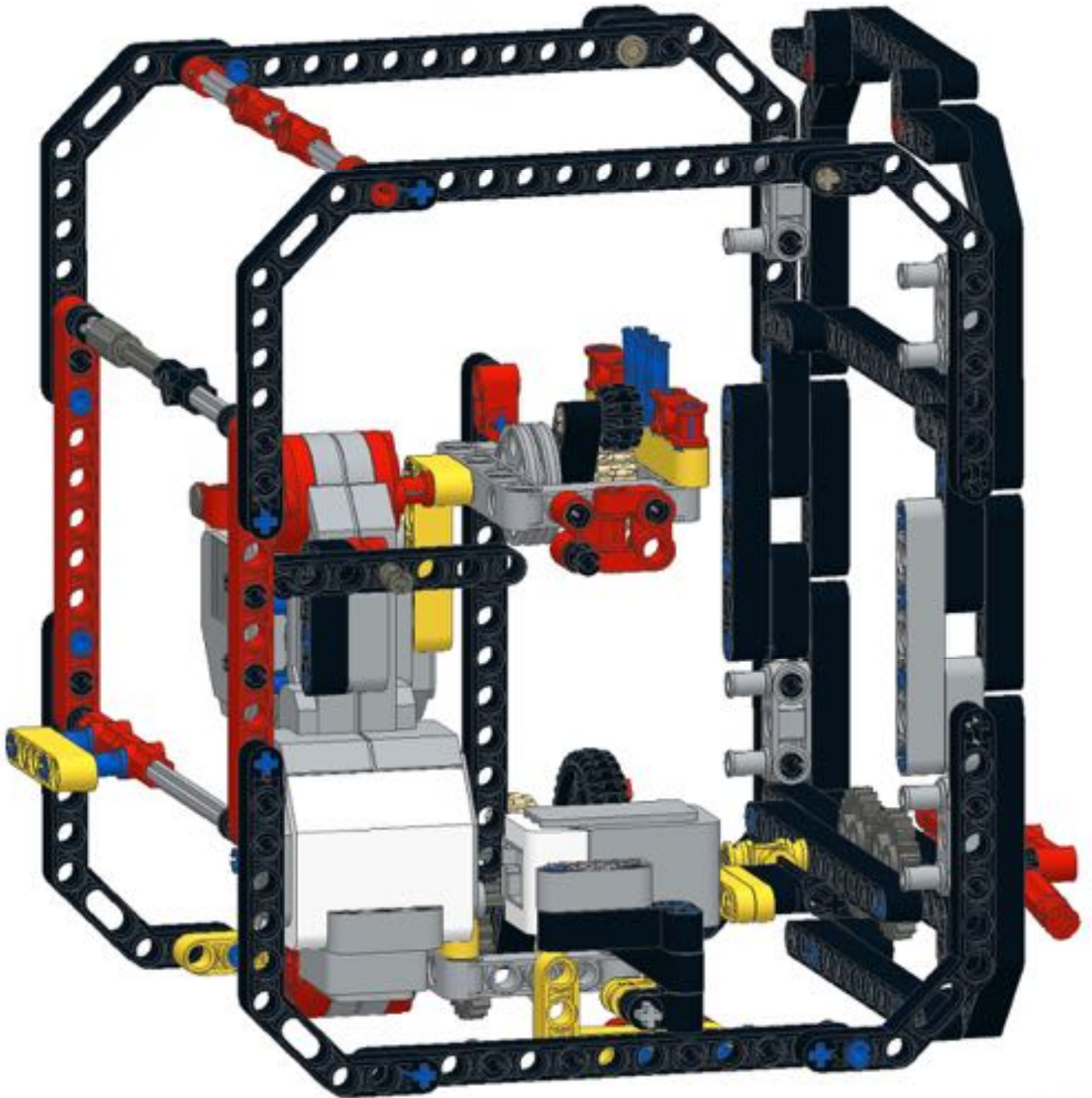


140

# 141

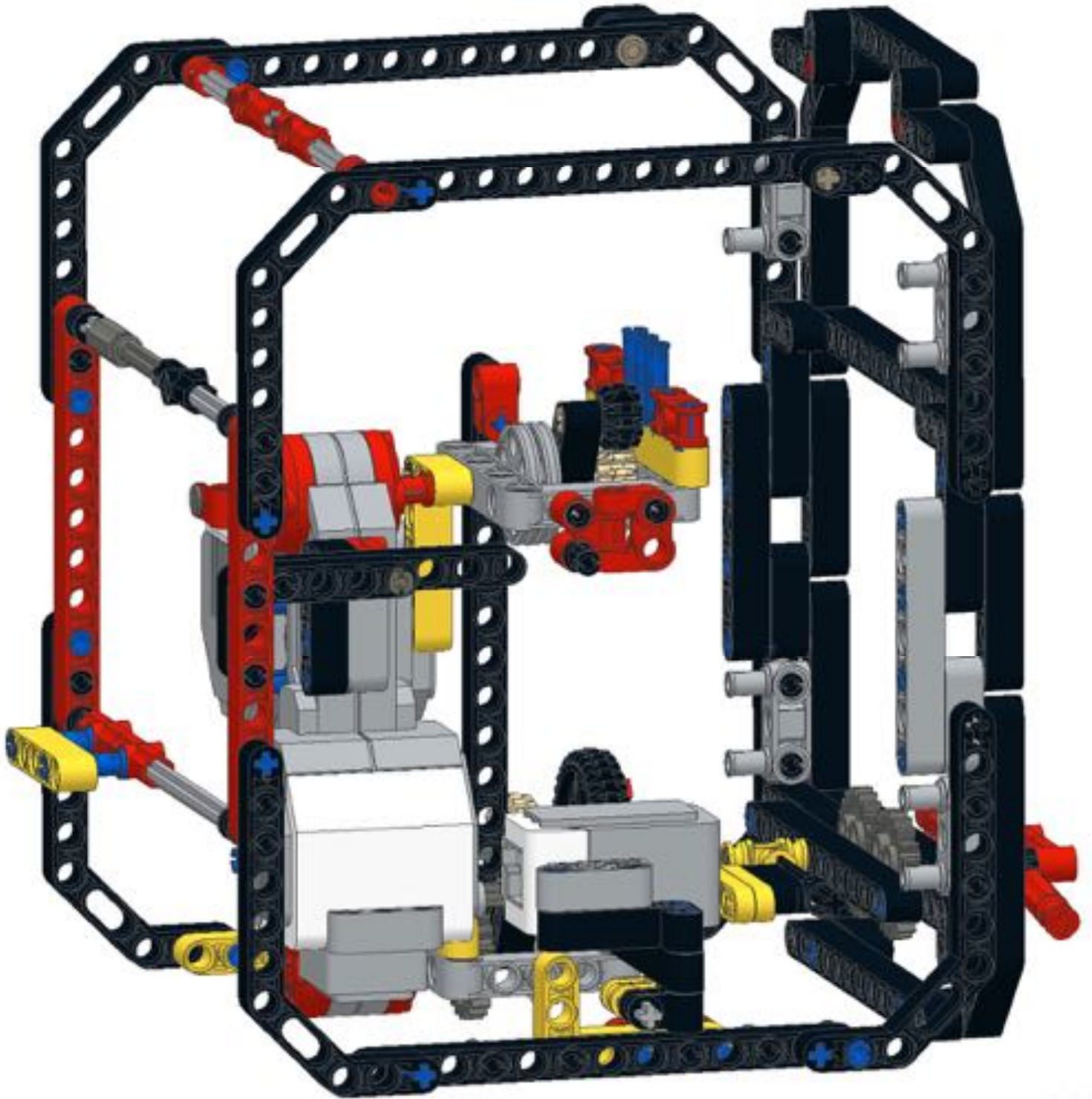


142  2x



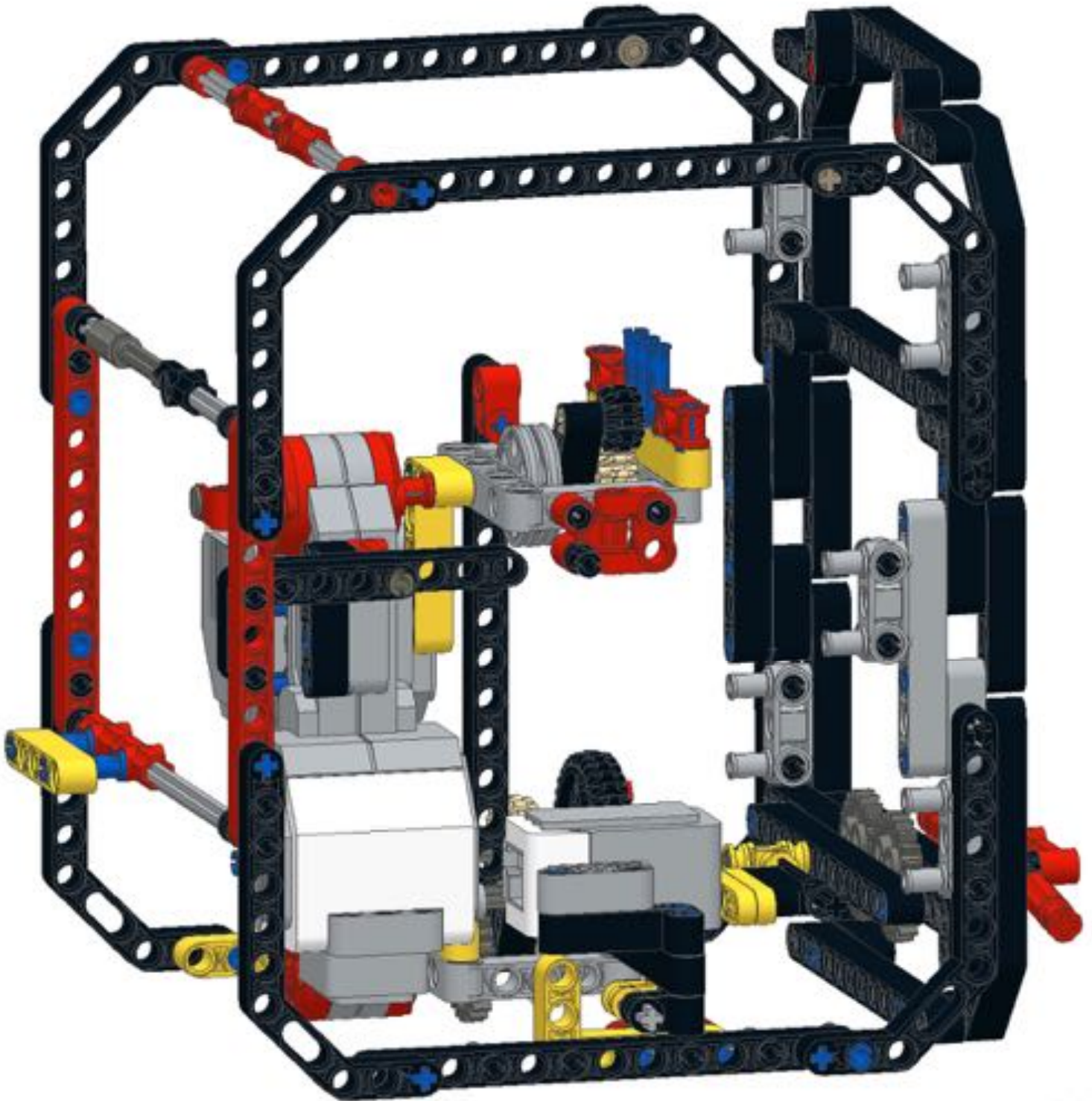
142

# 143



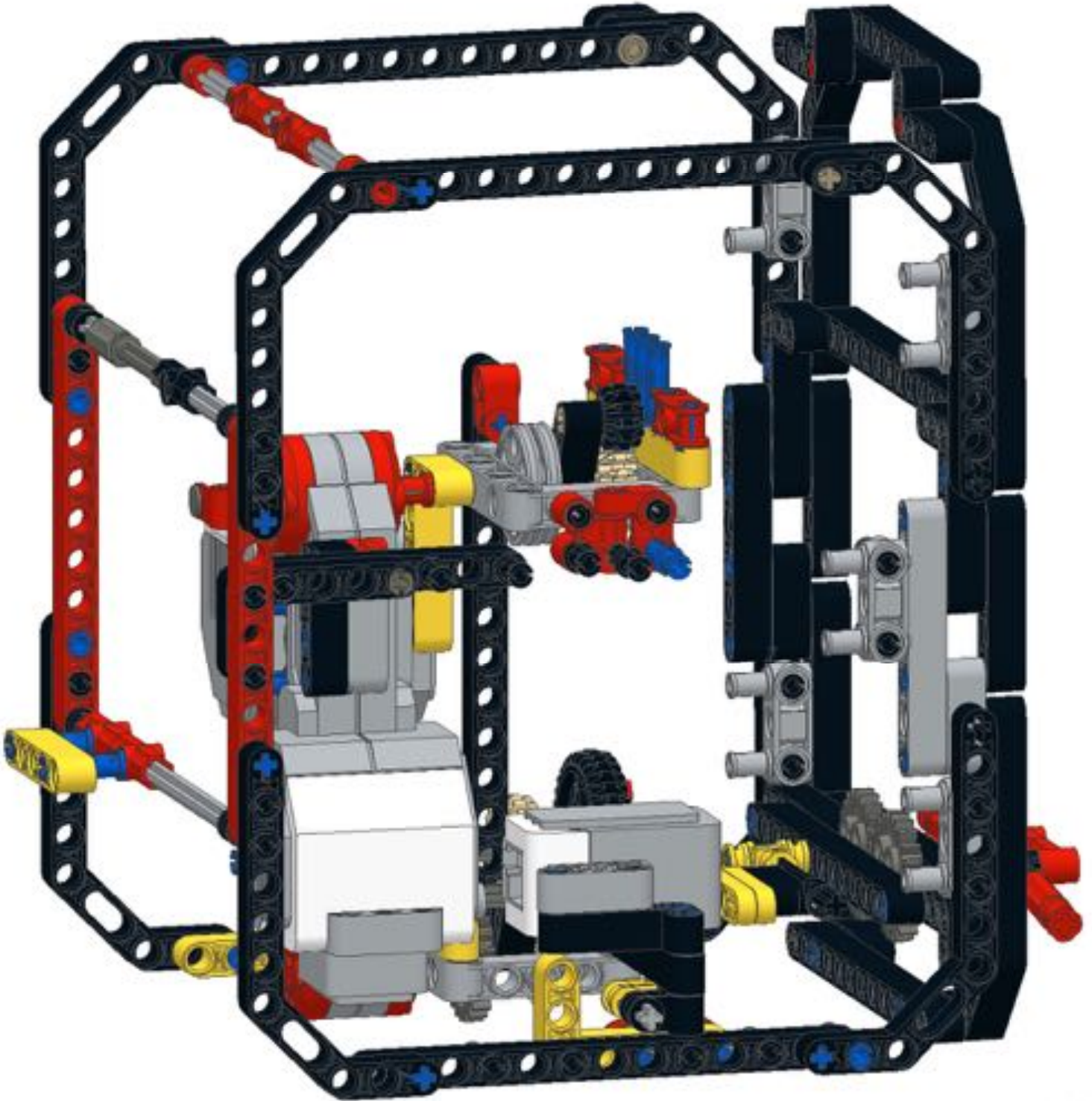
143

# 144



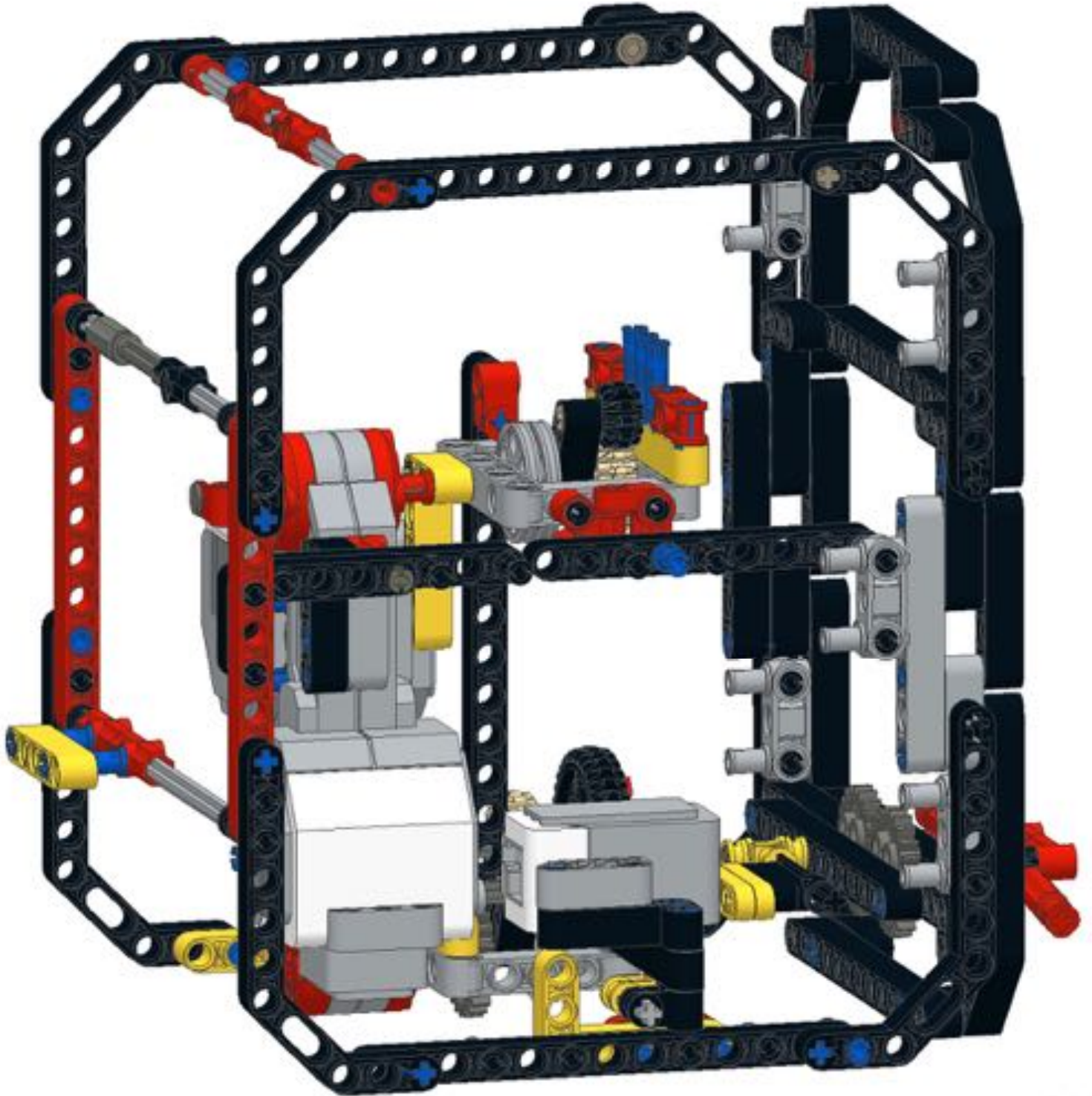


# 145

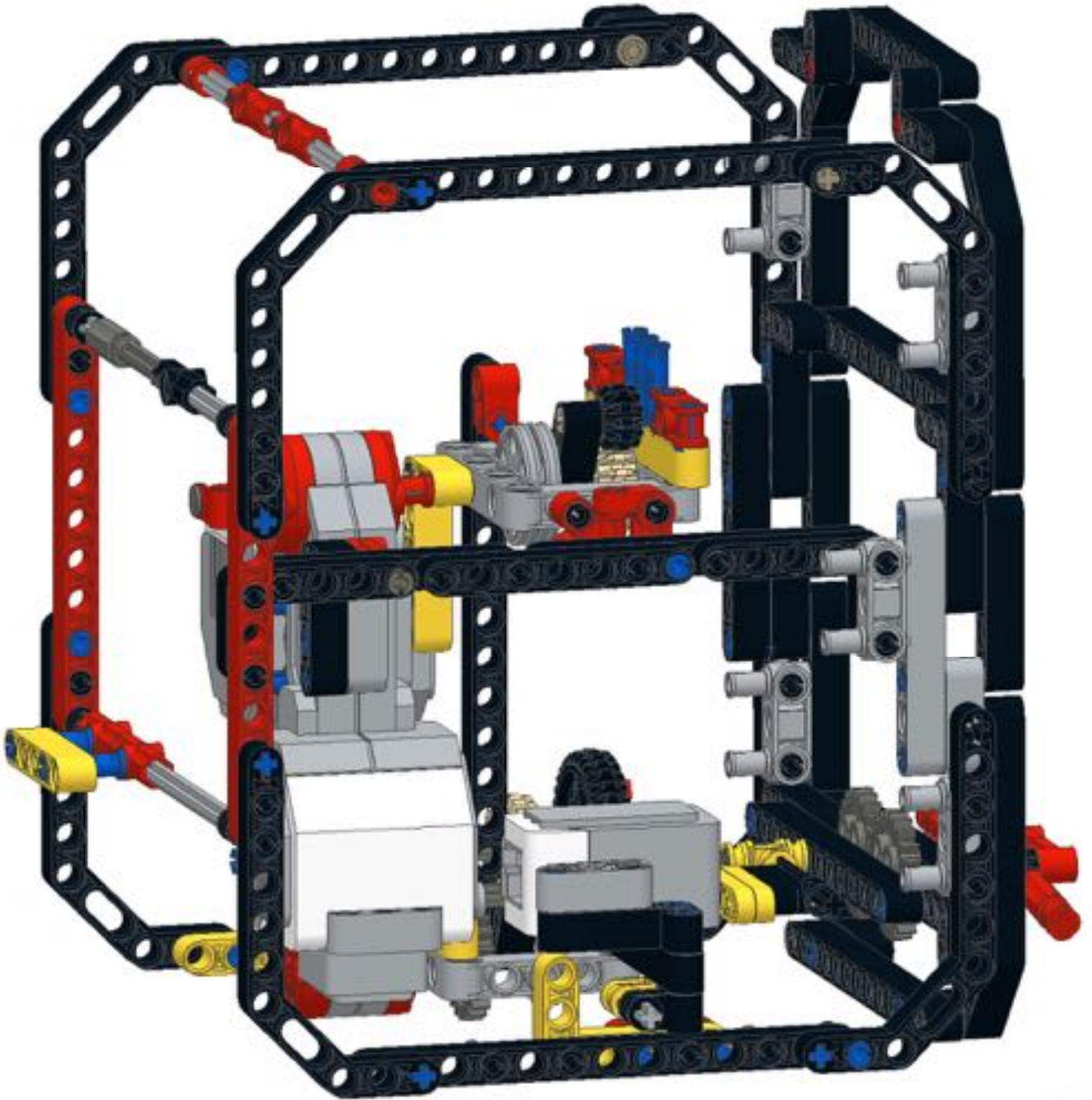
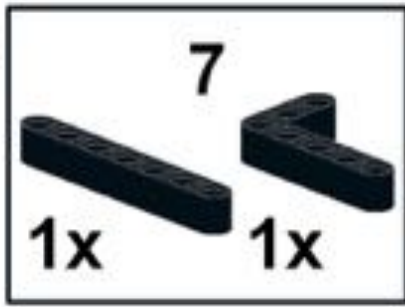


145

# 146

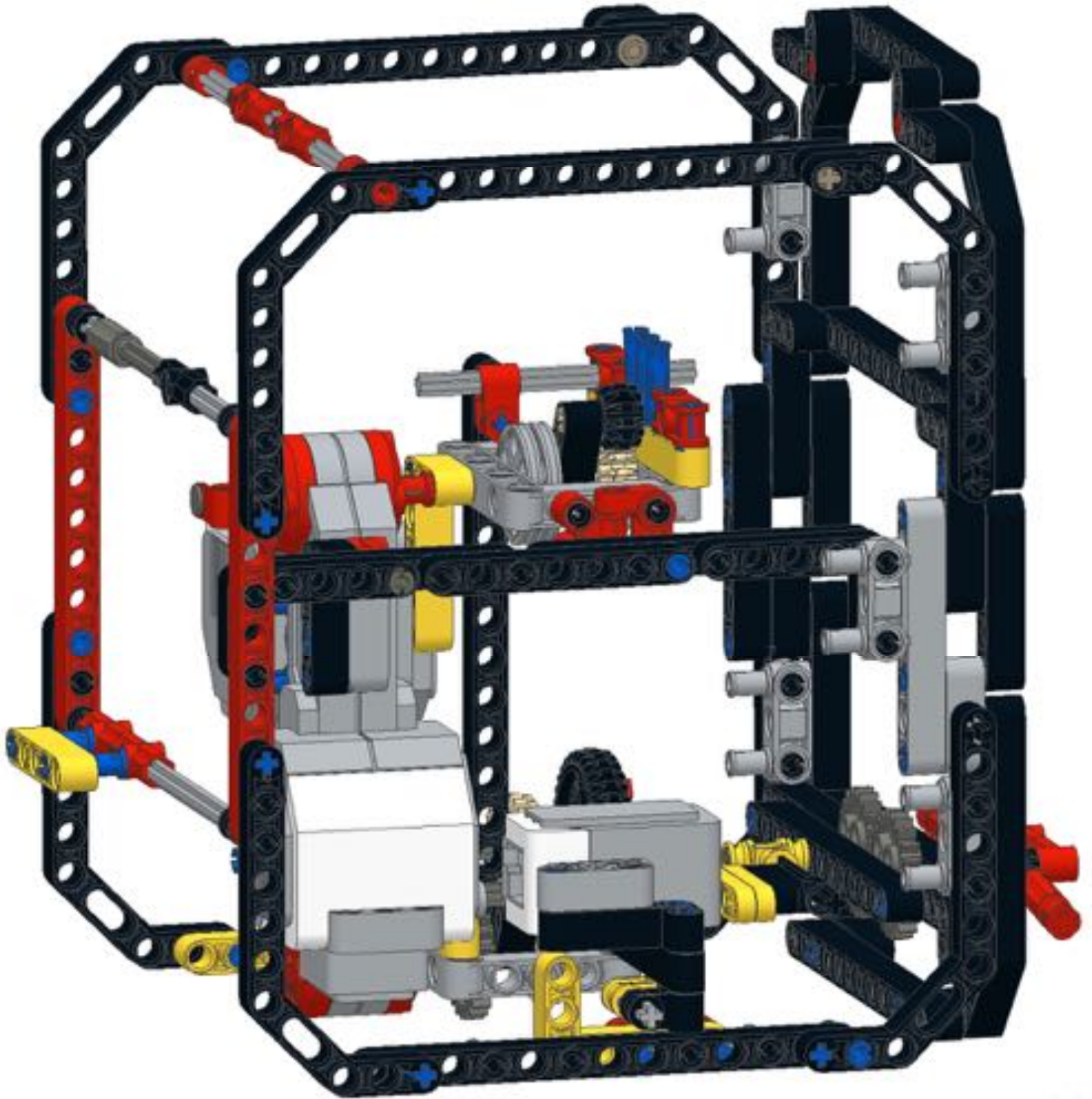


# 147

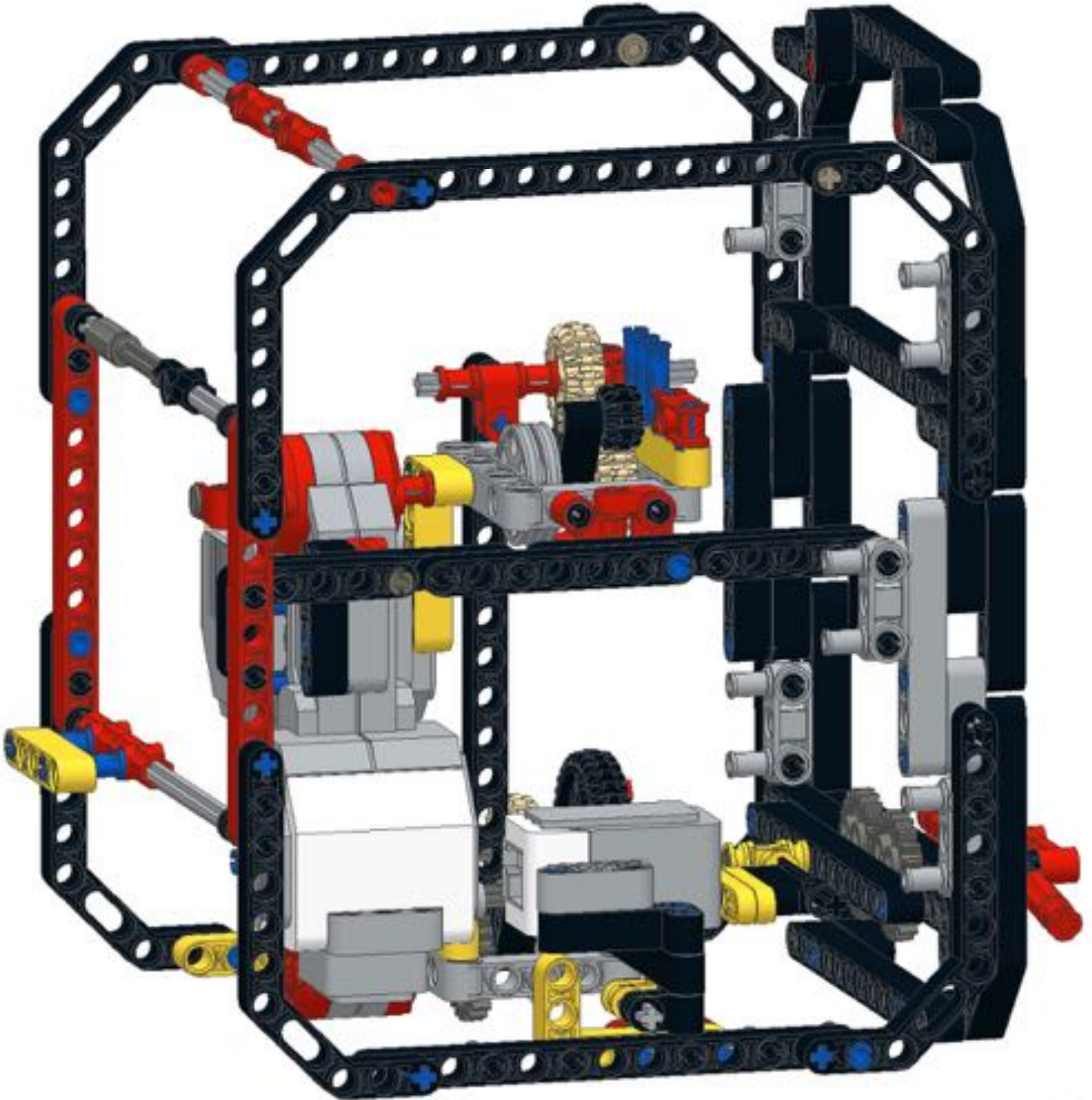


147

# 148

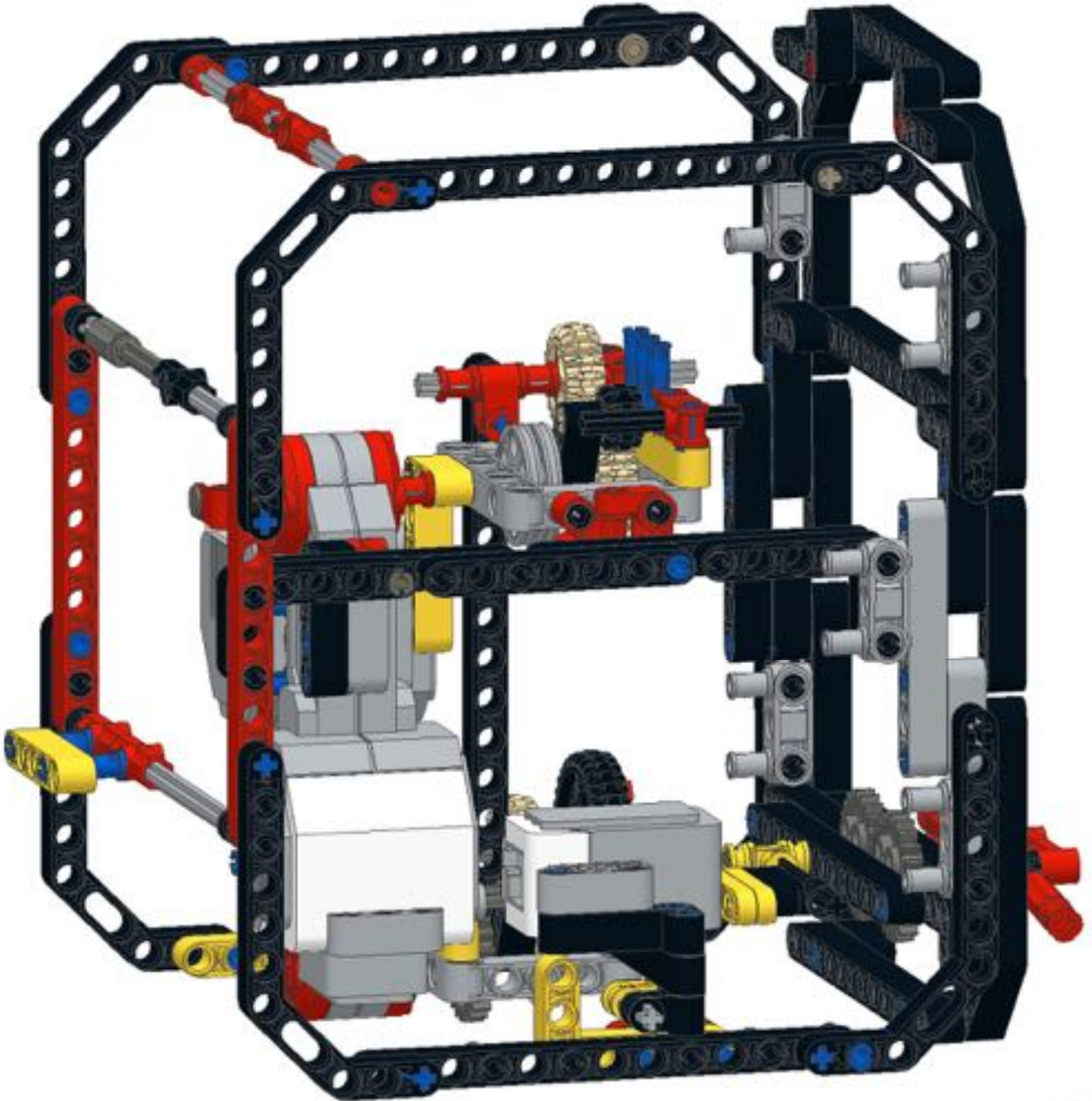


# 149



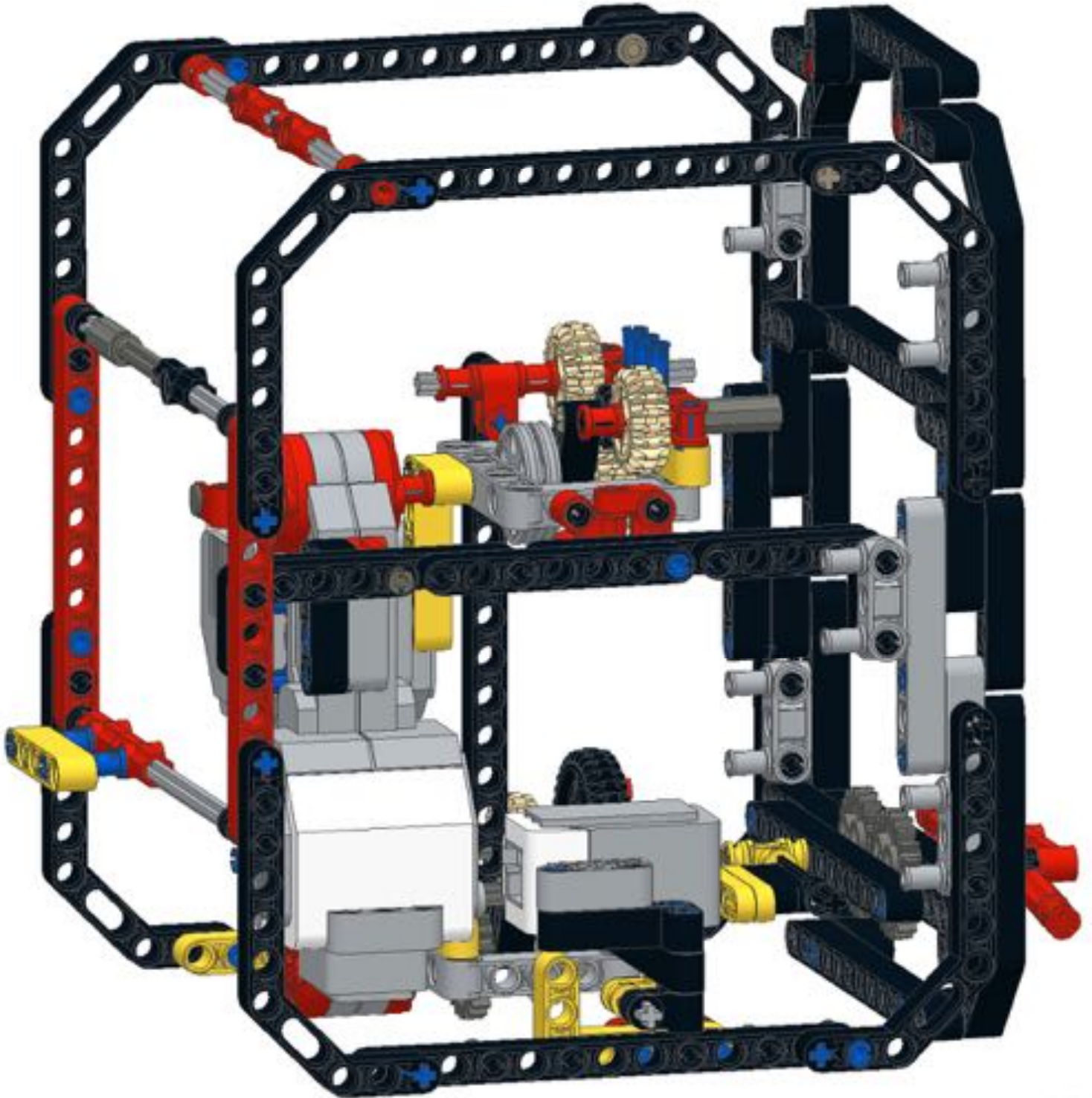
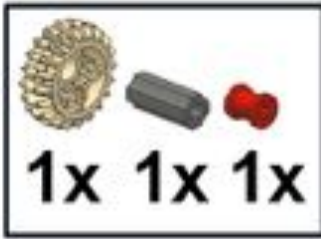
149

# 150



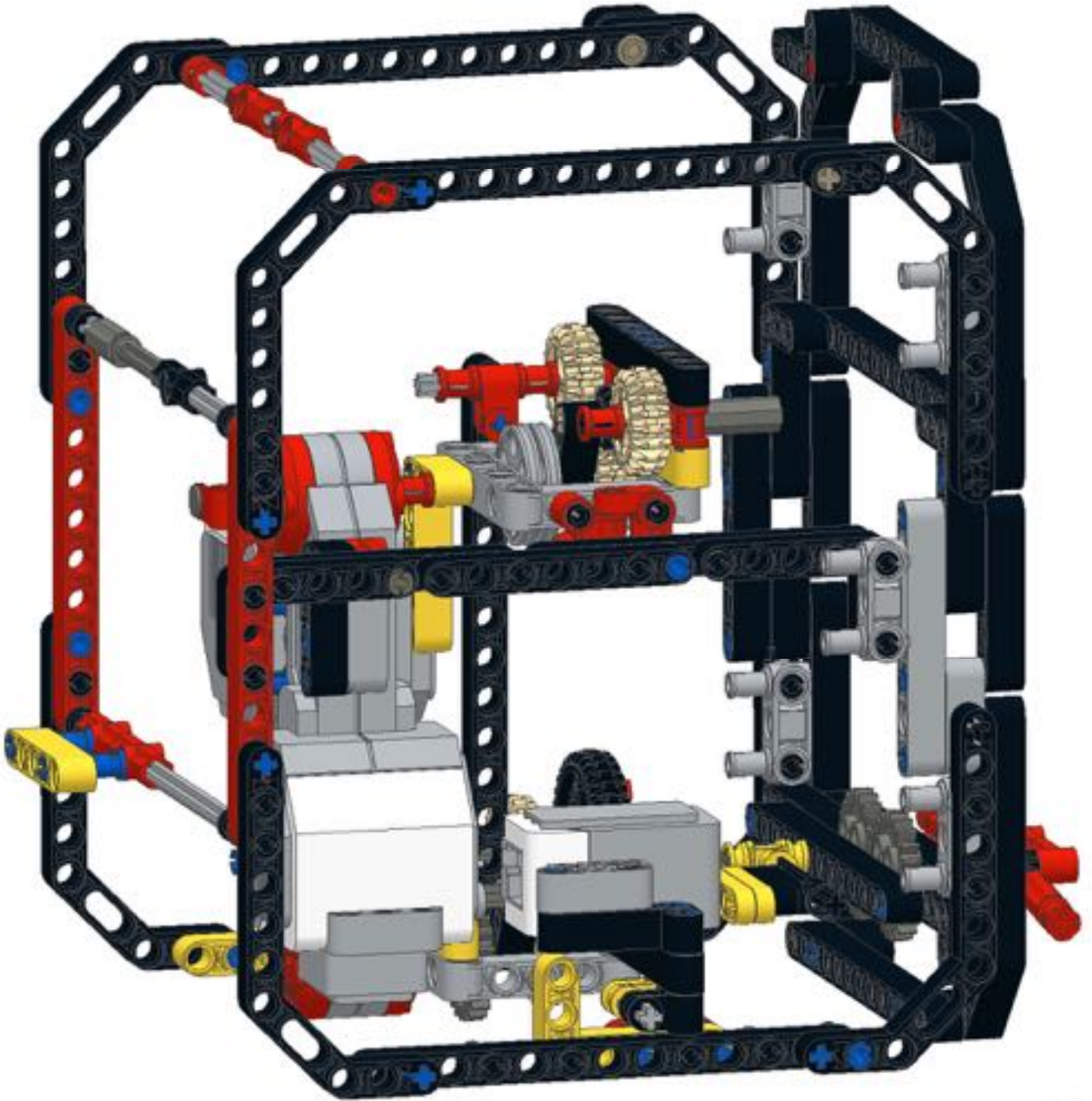
150

# 151



151

# 152

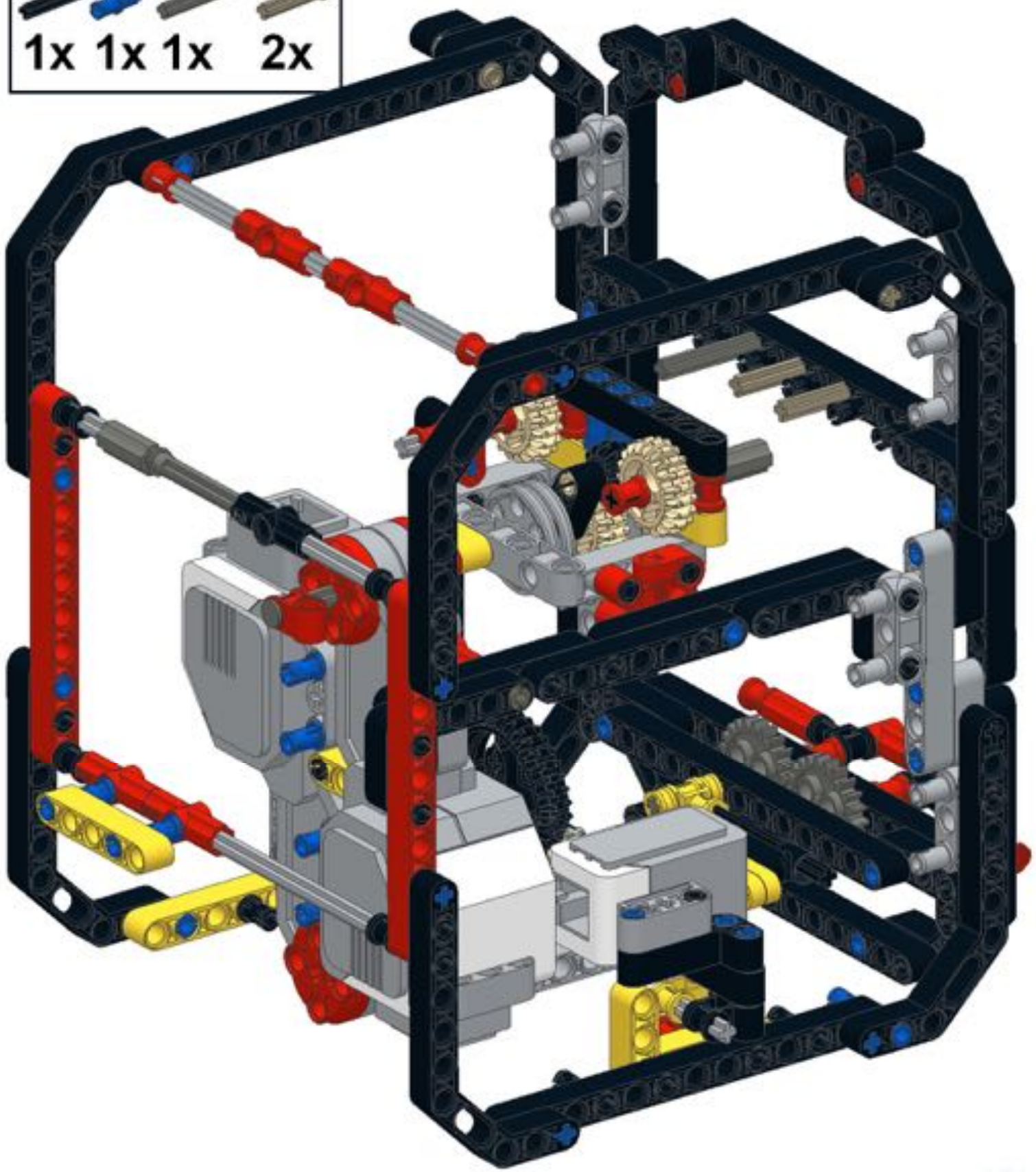


152

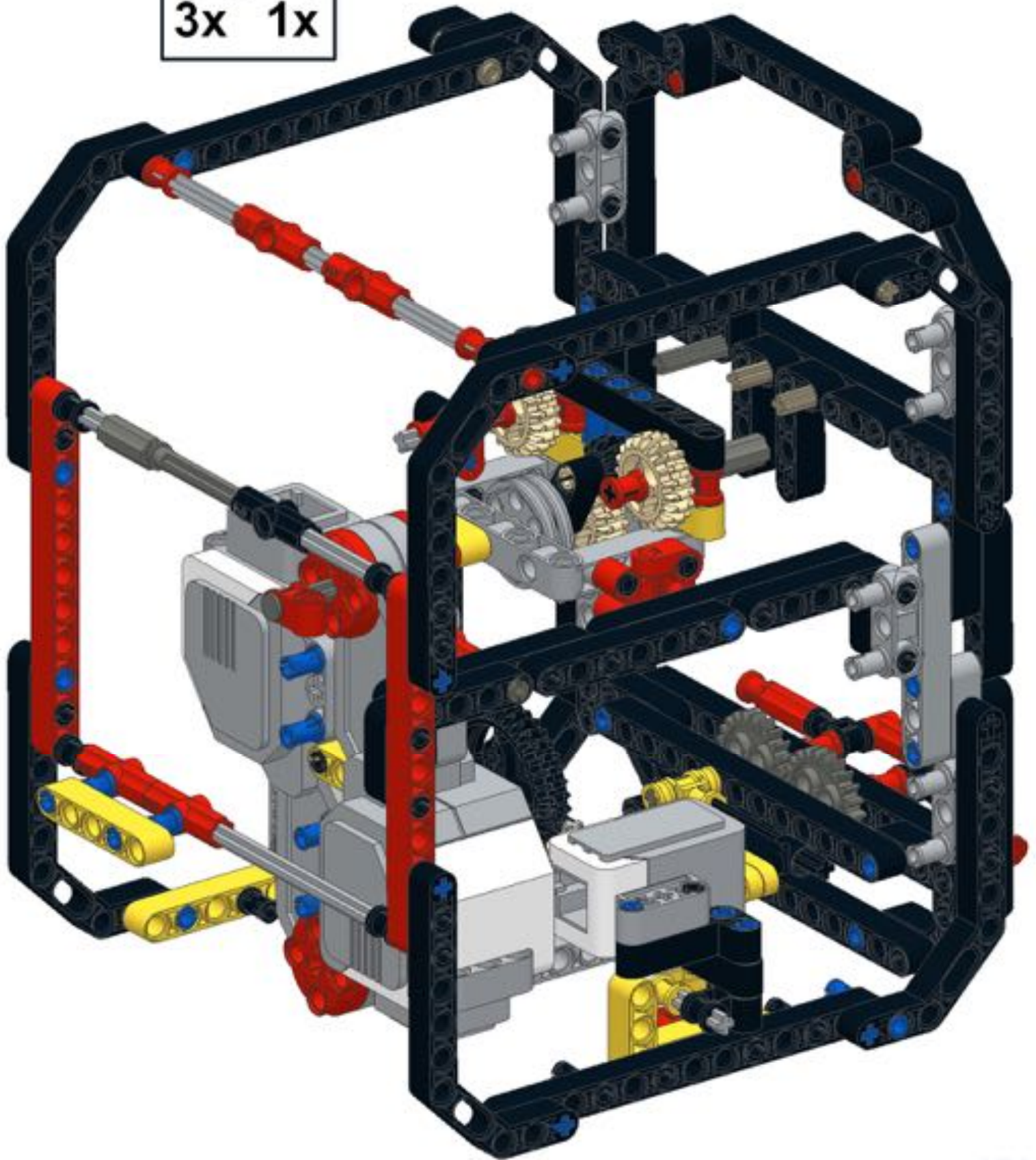


	6	4	3
5x			
1x	1x	1x	2x

# 153

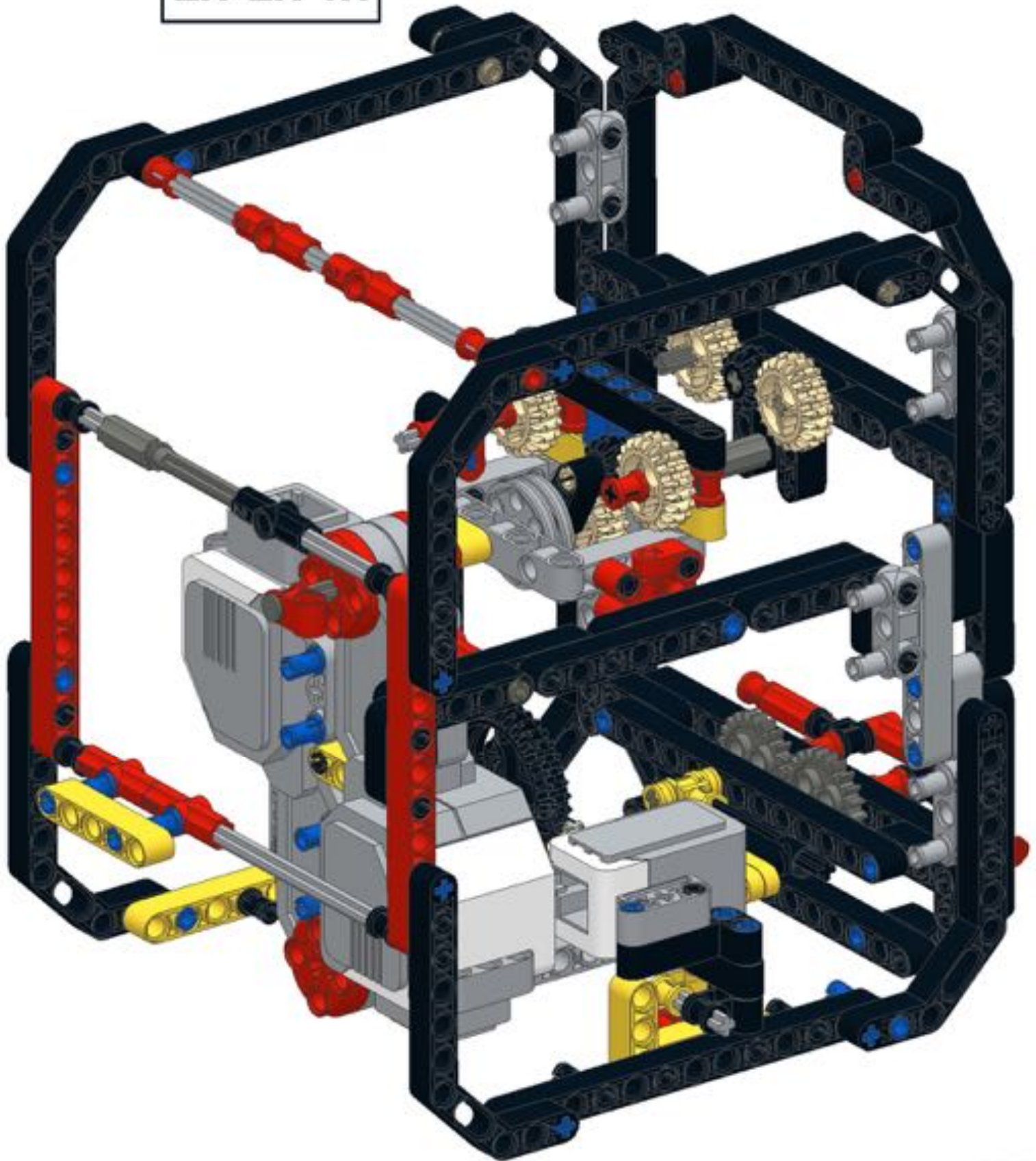


# 154



154

# 155

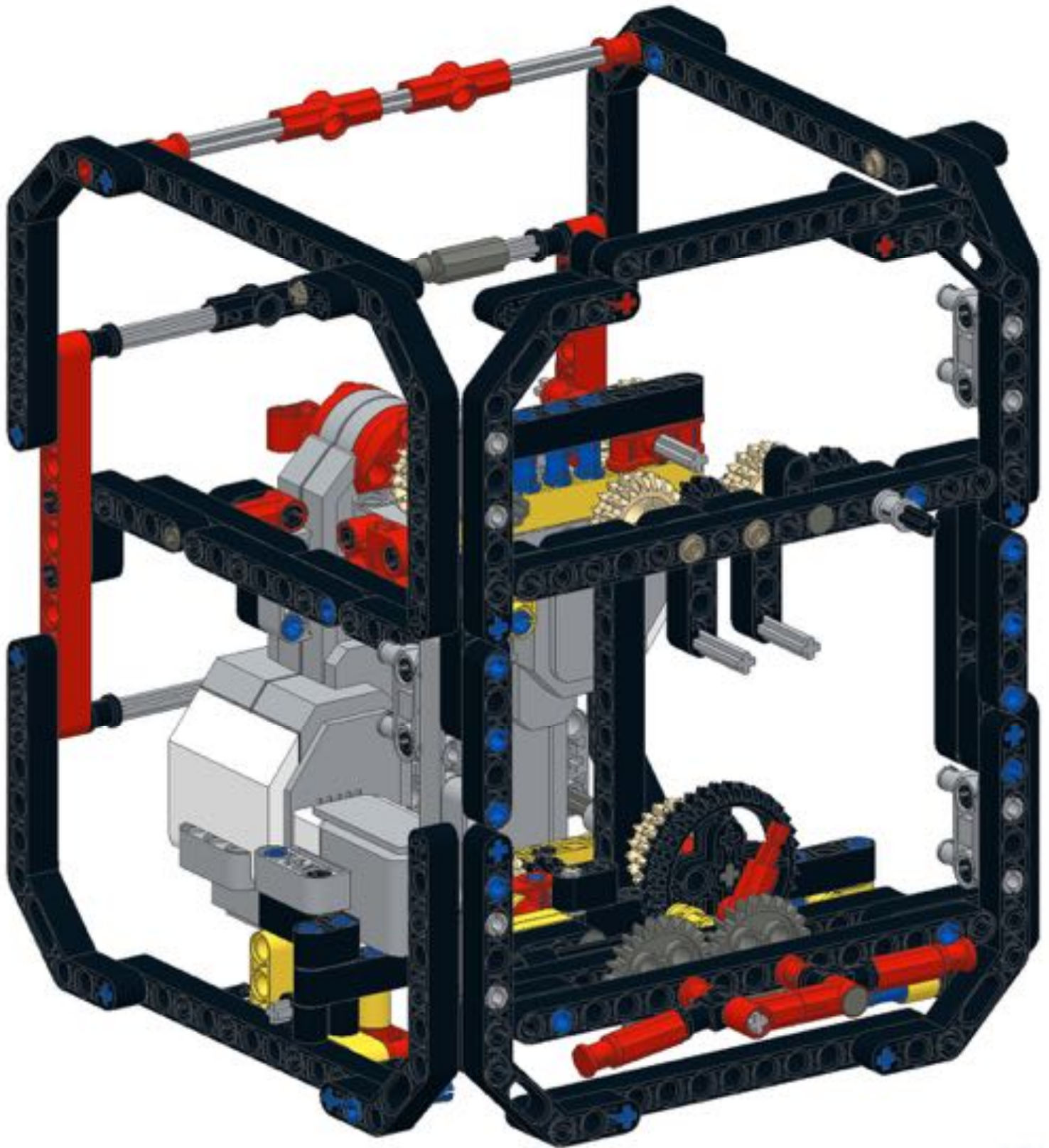


155

# 156

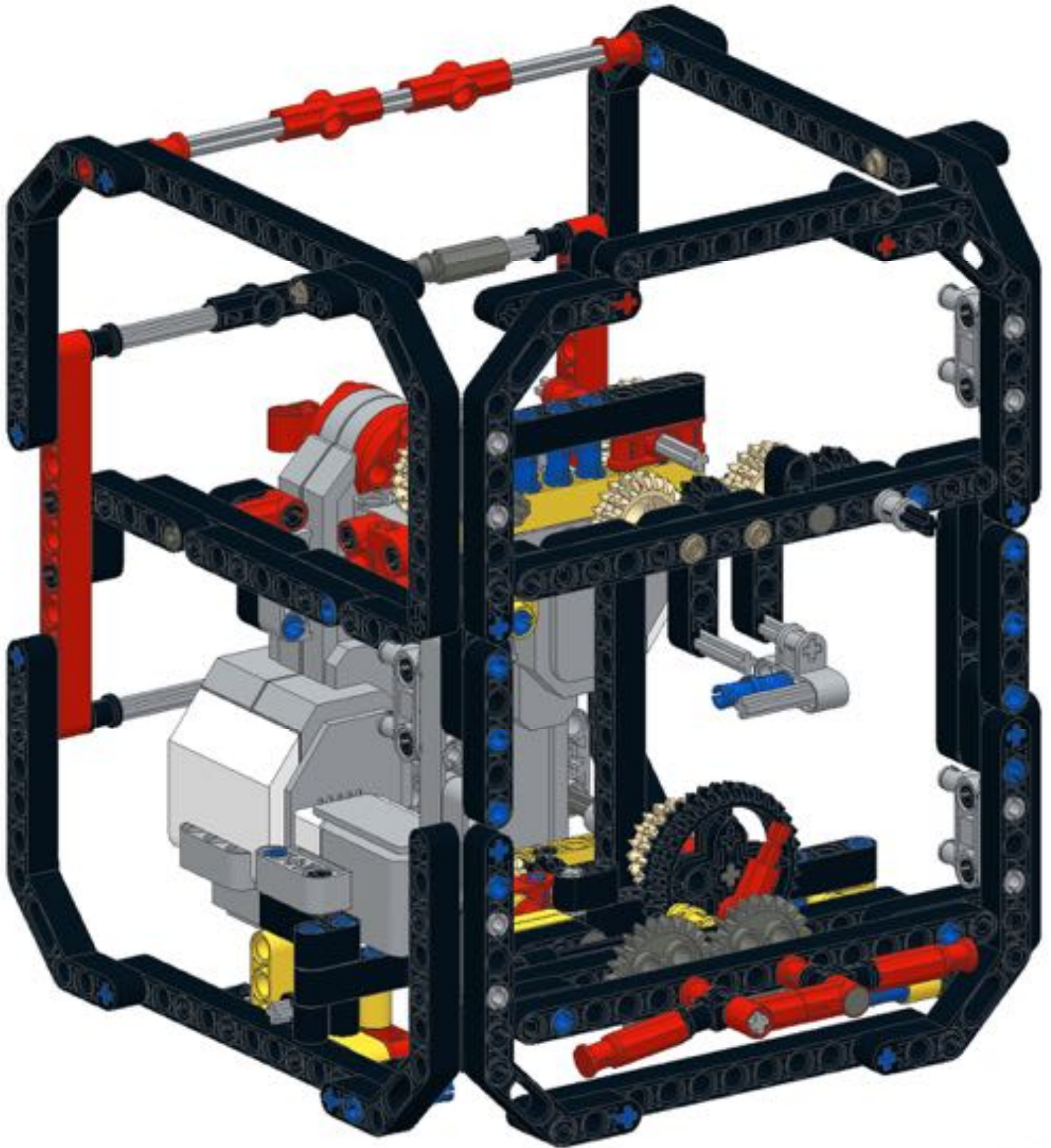
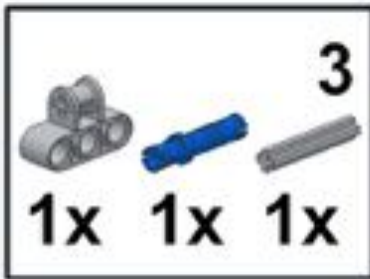
3

2x



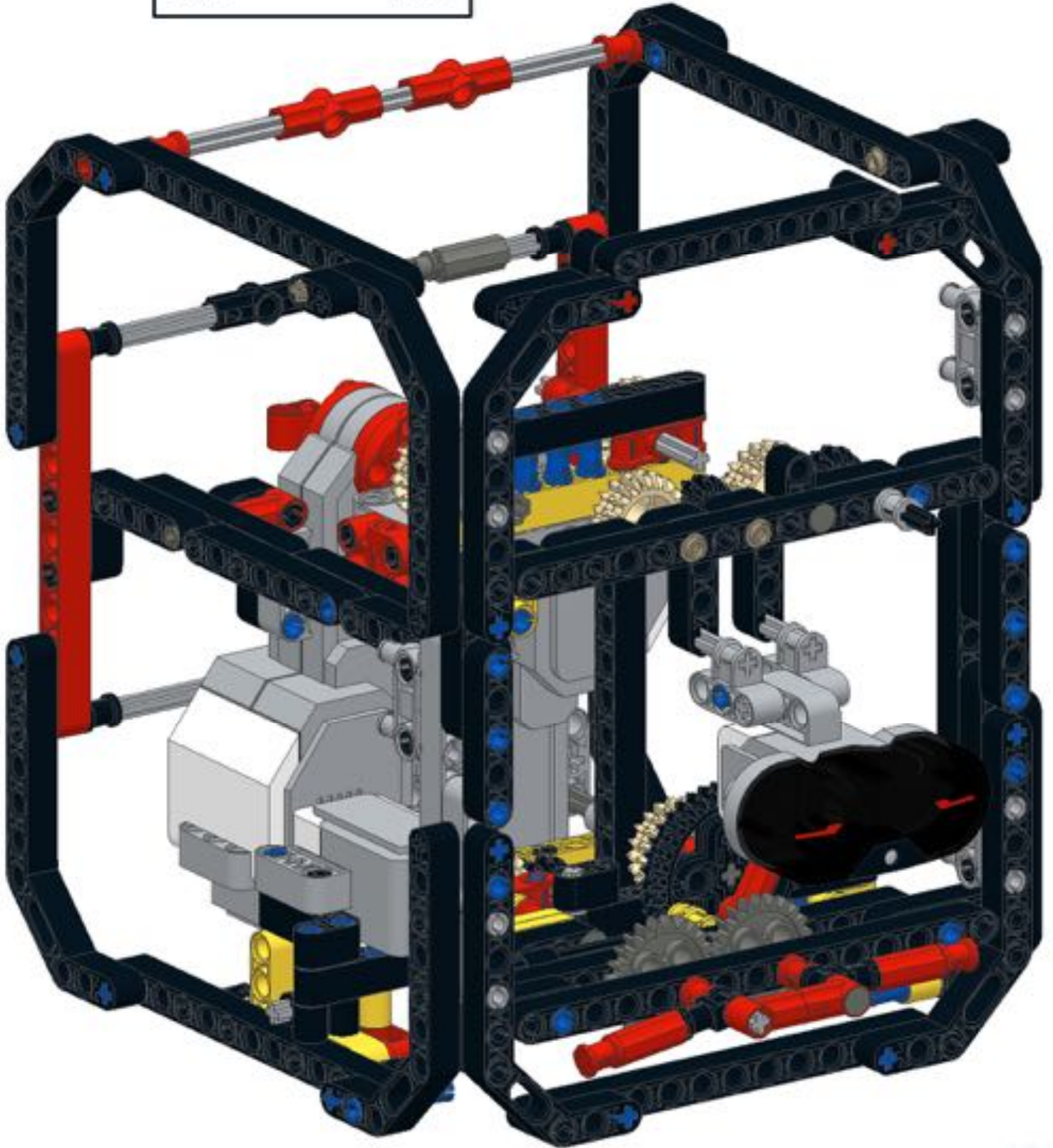
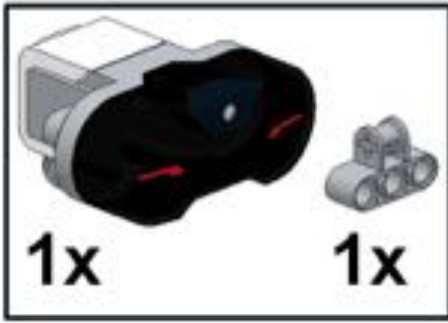
156

# 157

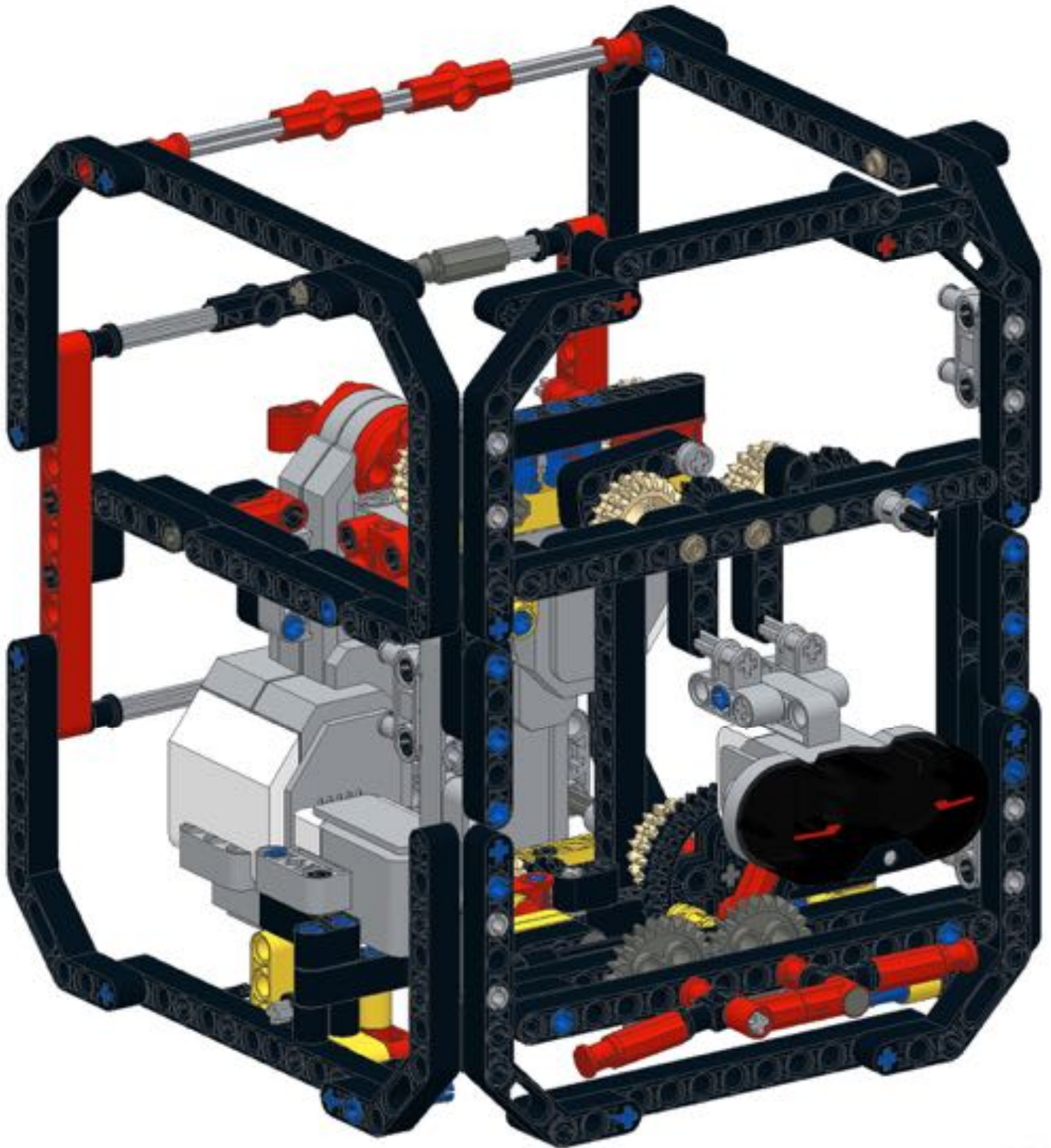


157

# 158

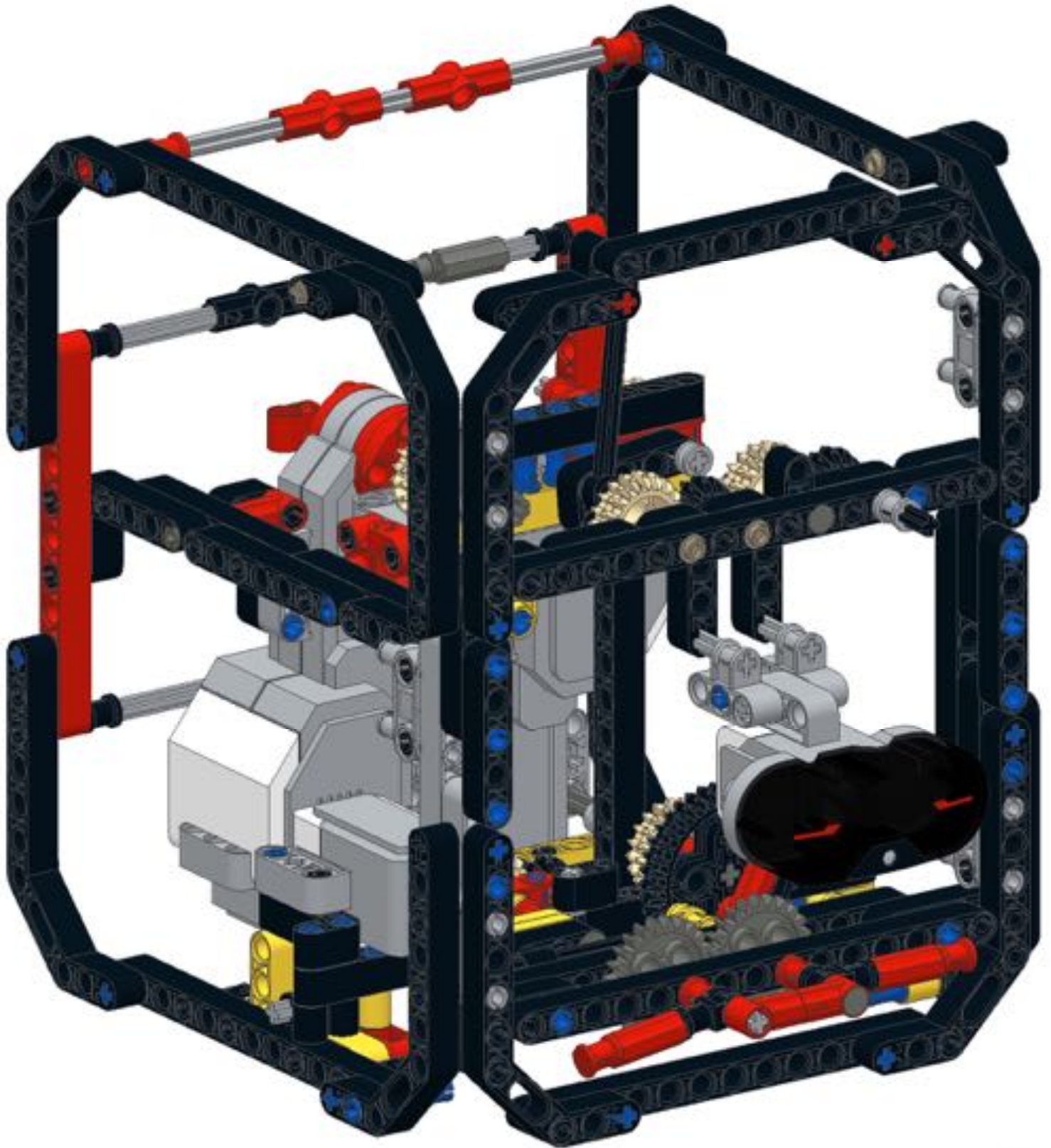


# 159



159

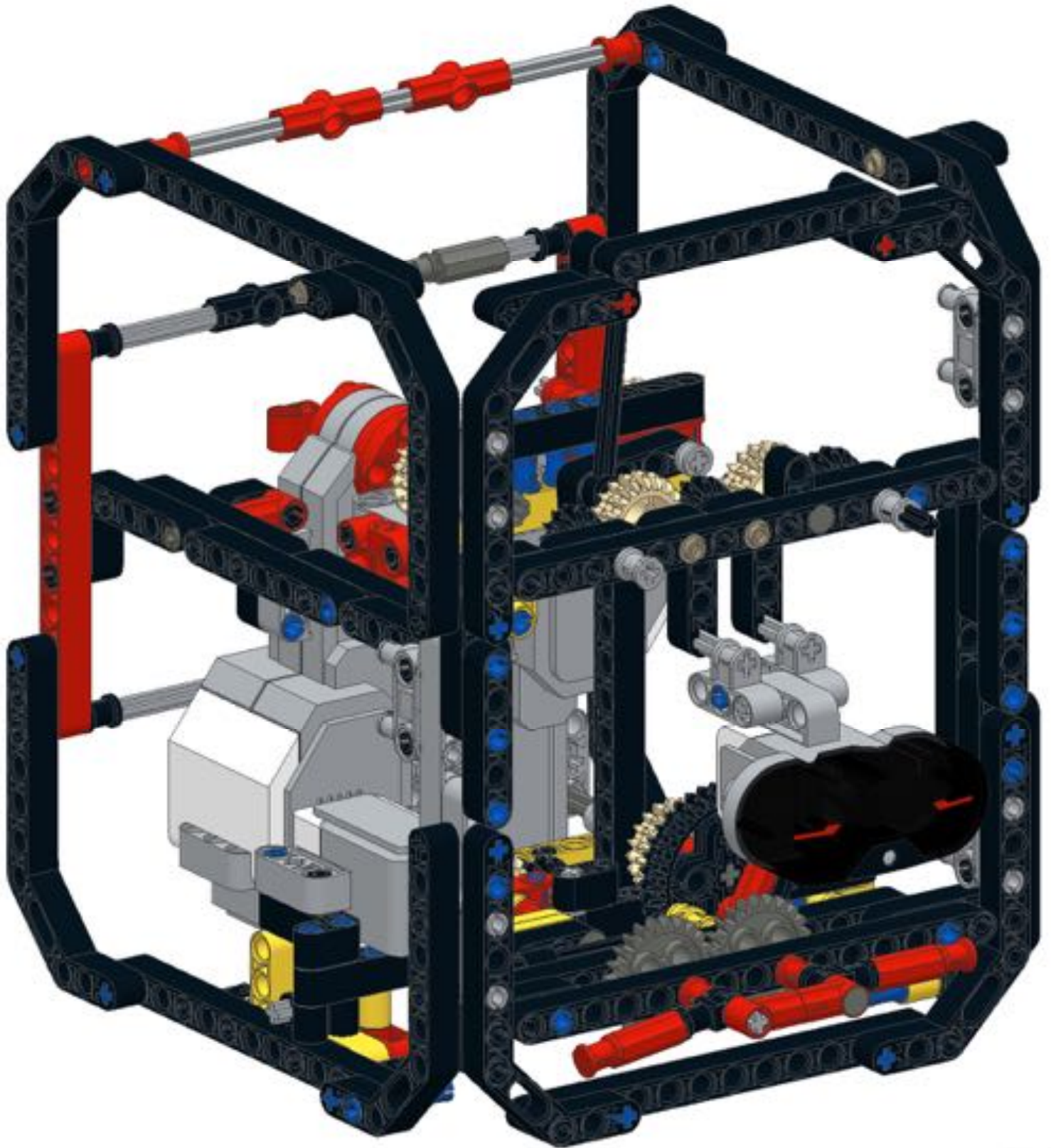
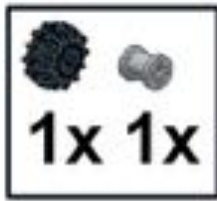
# 160



160

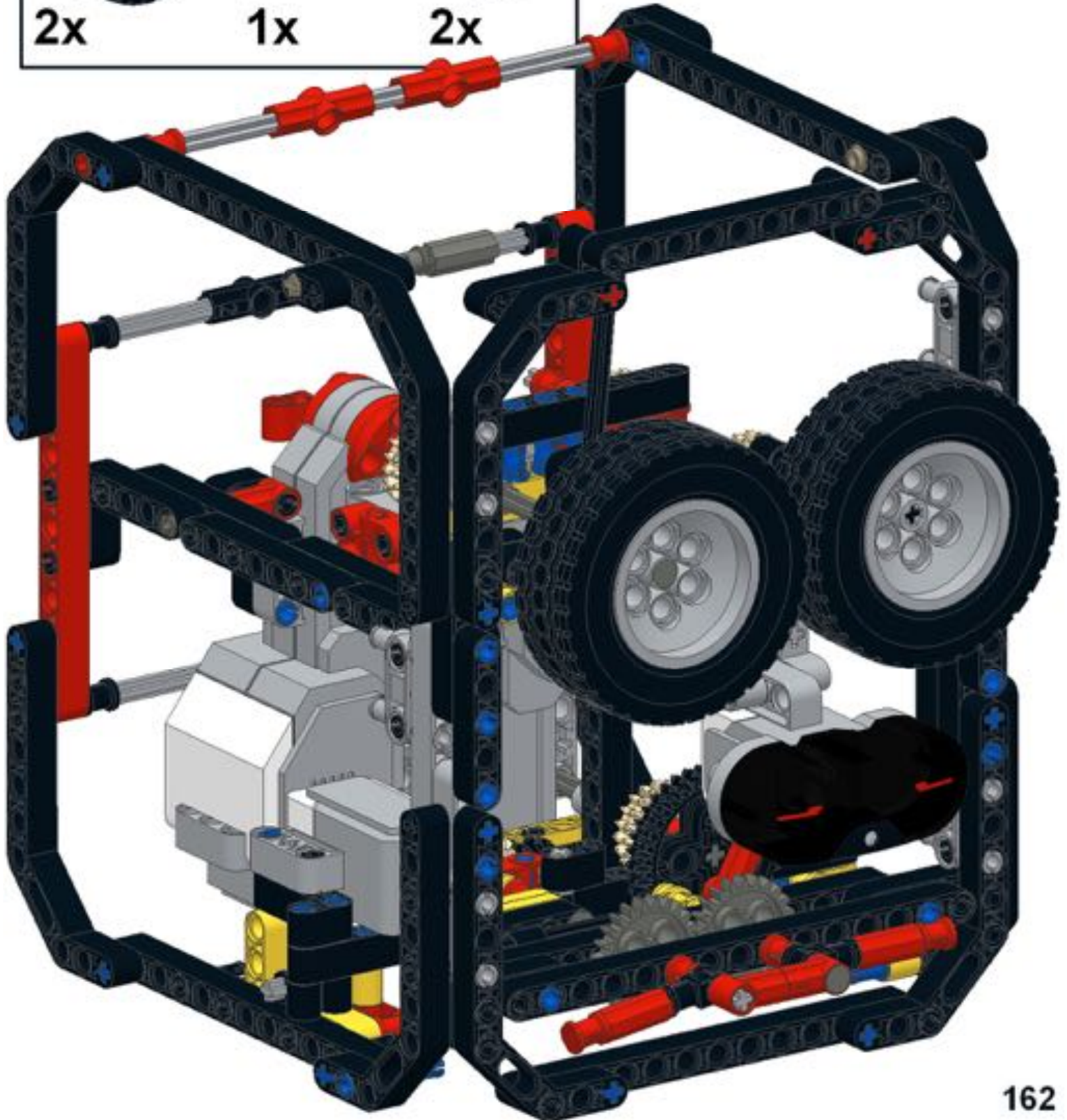
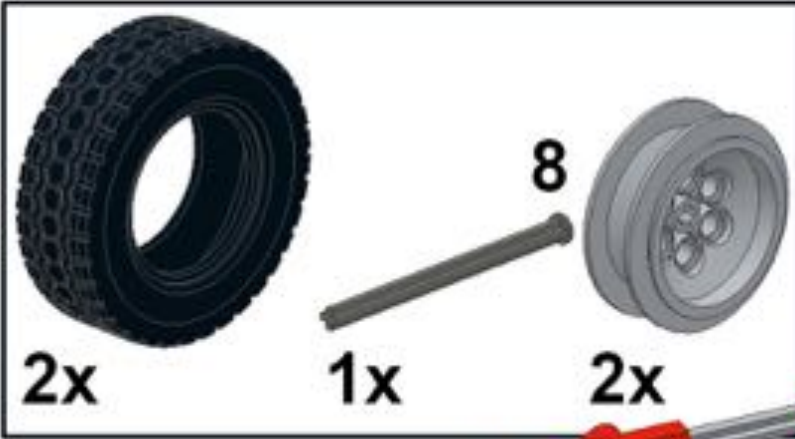


# 161



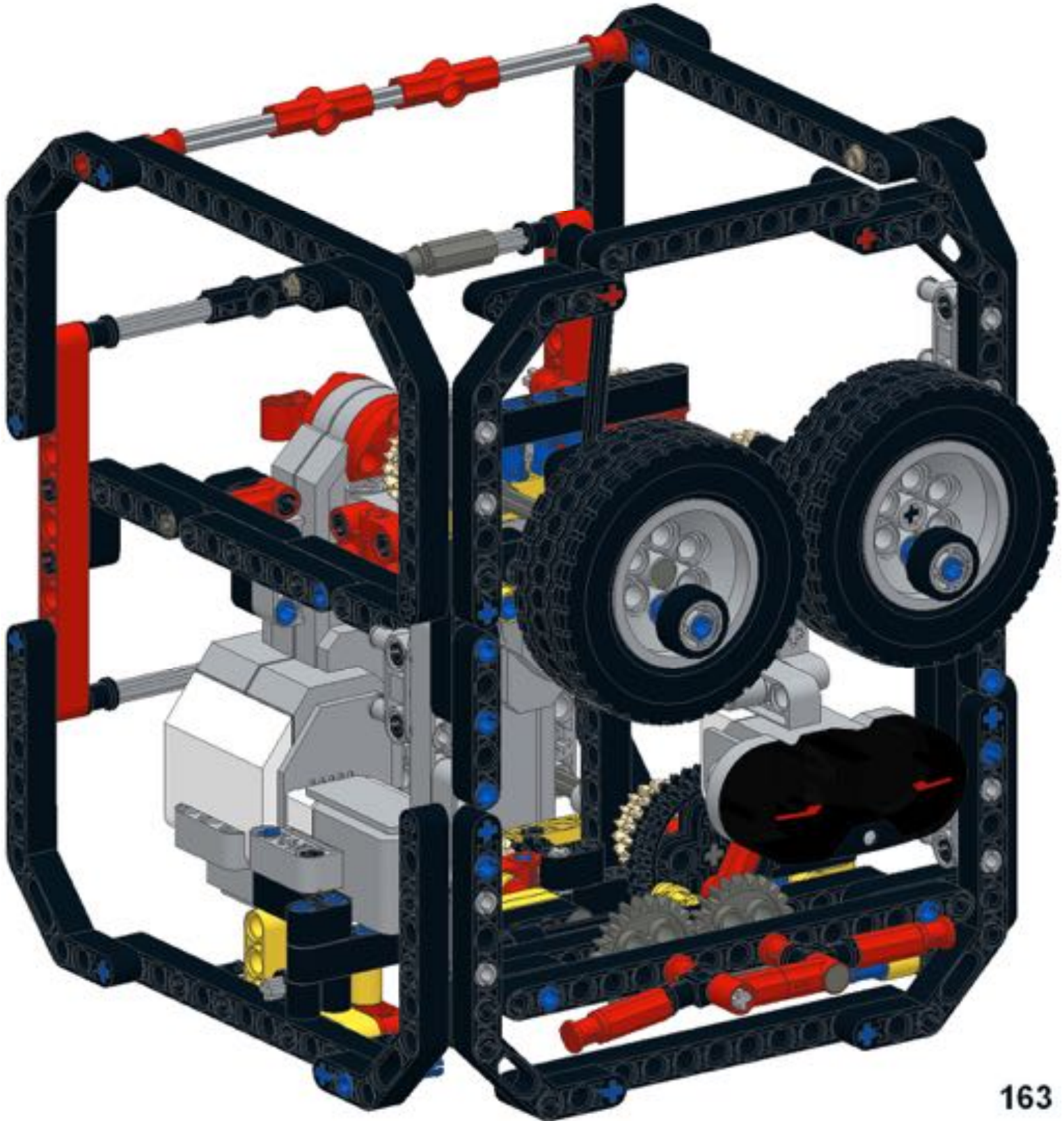
161

# 162



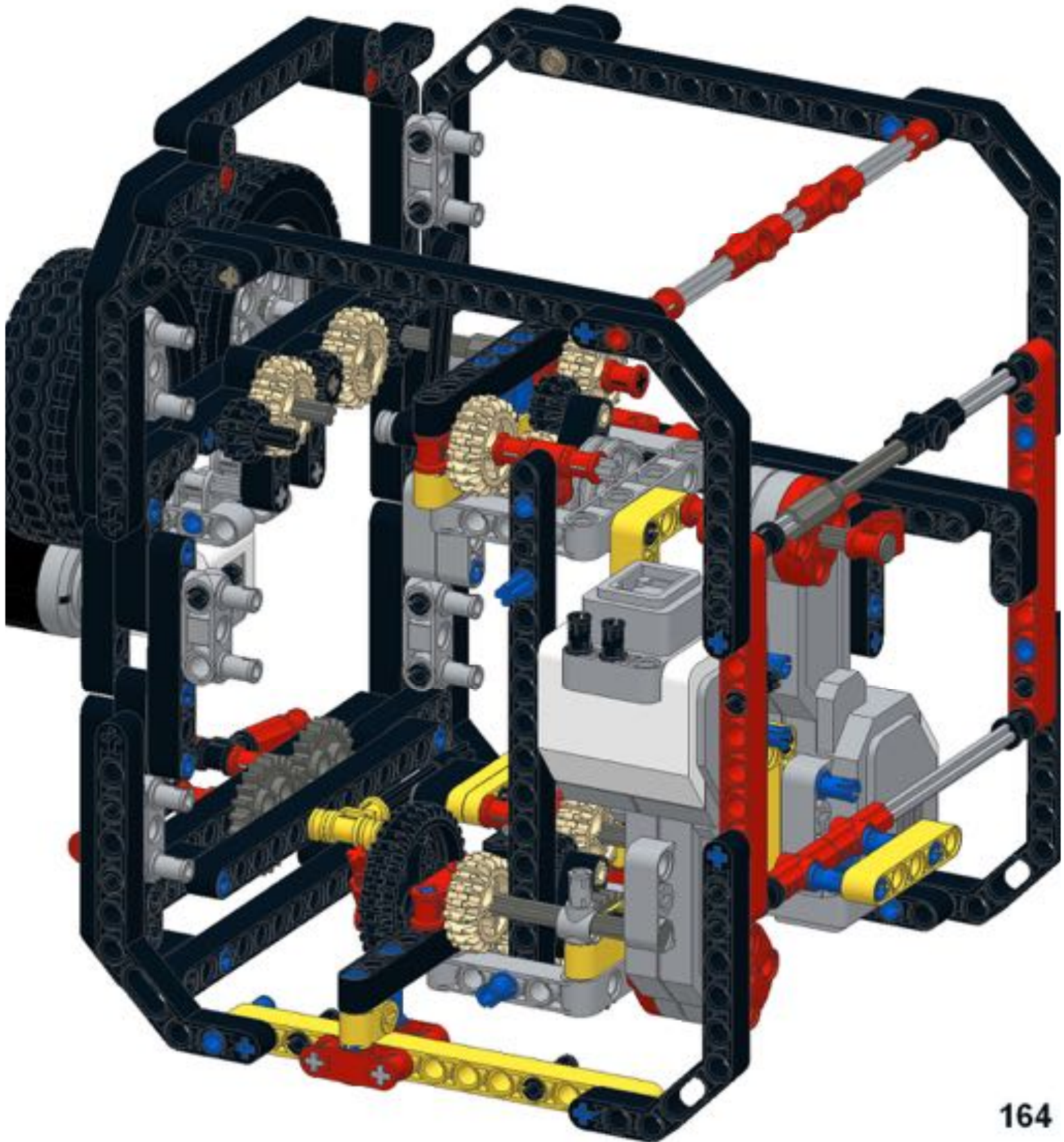
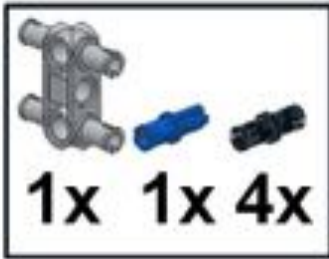
162

# 163



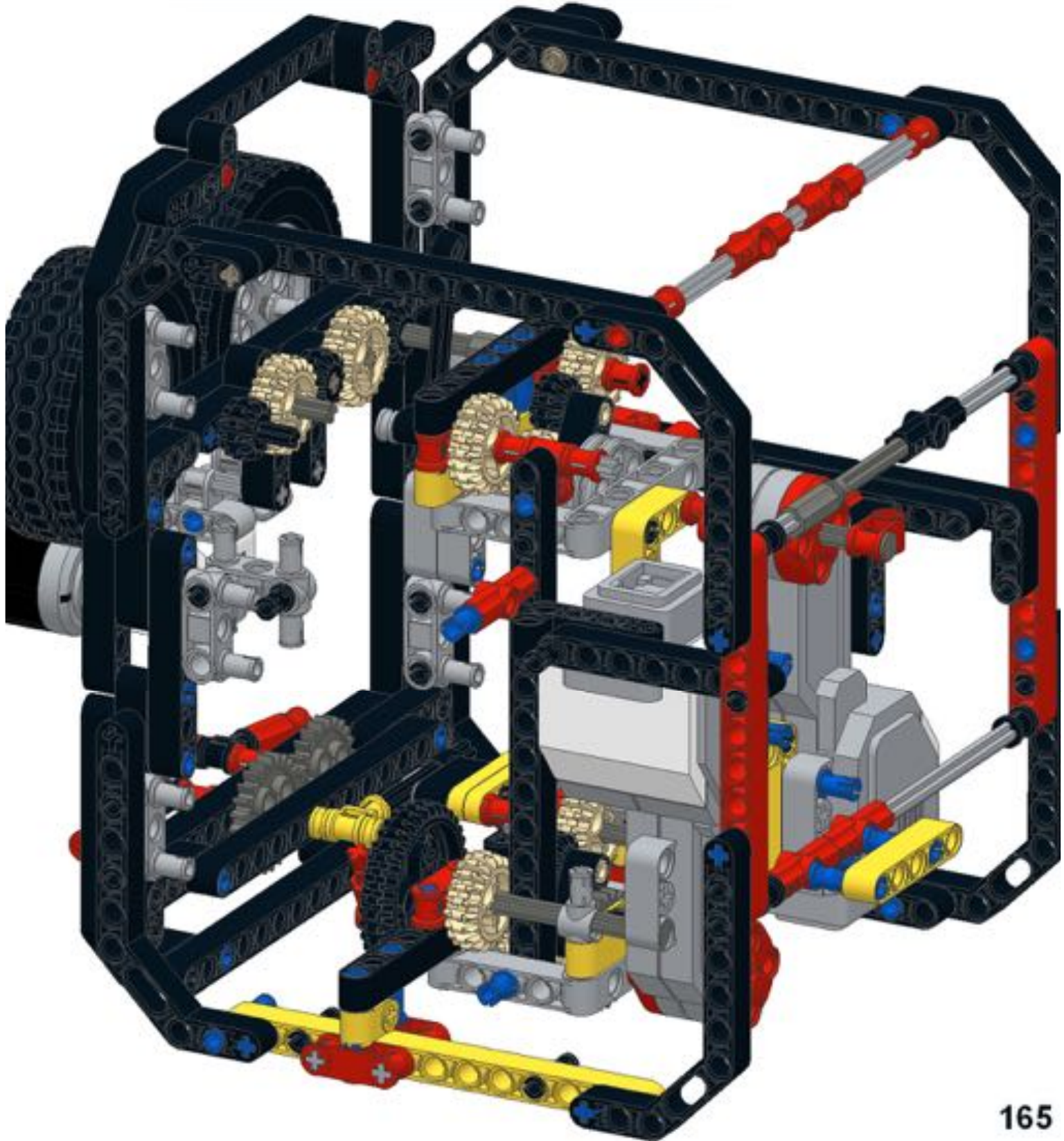
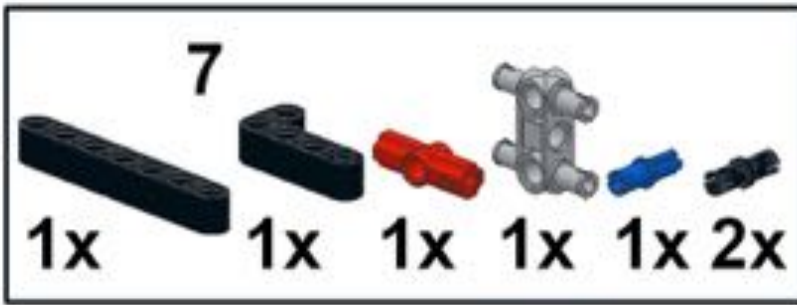
163

# 164



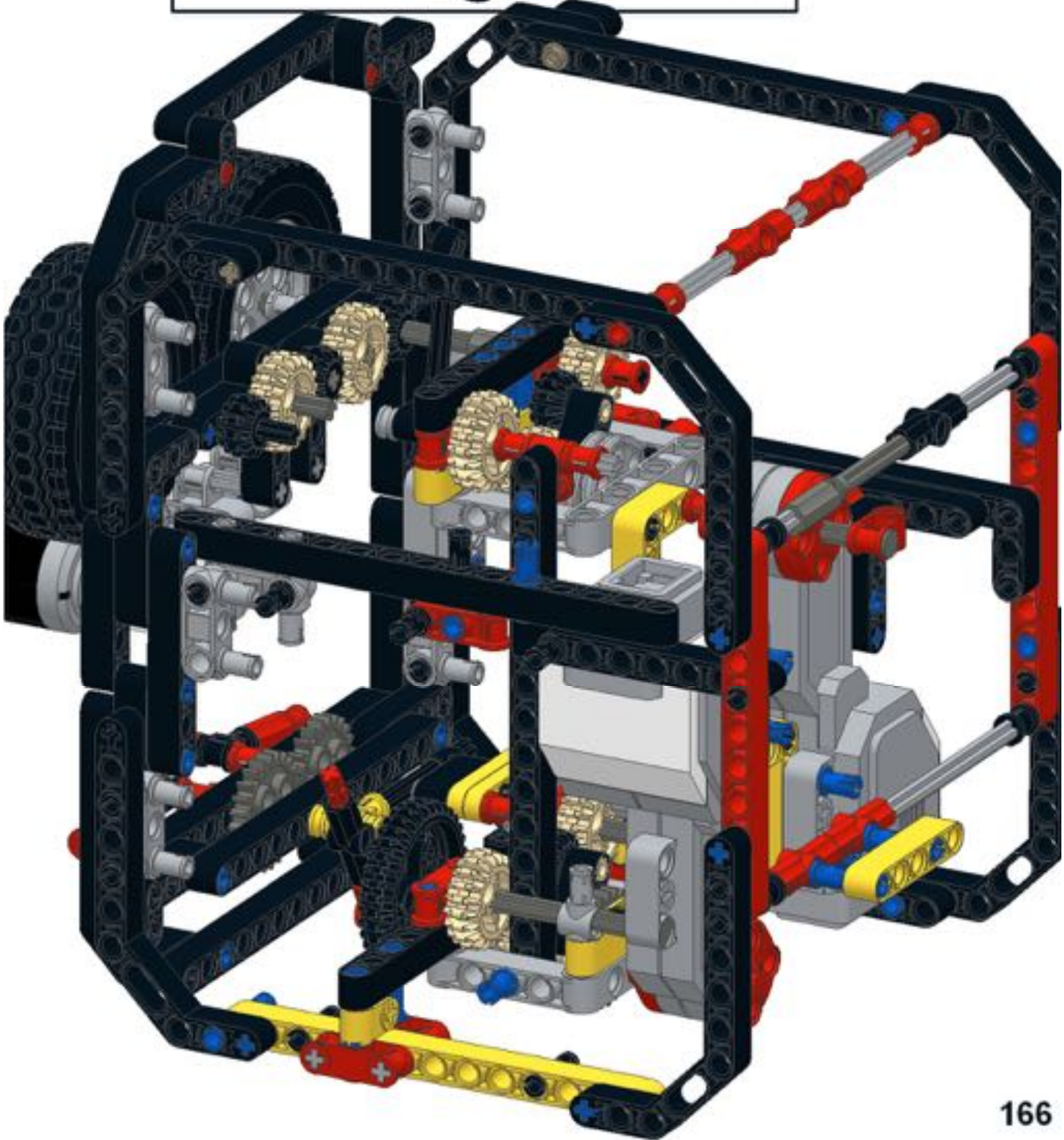
164

# 165



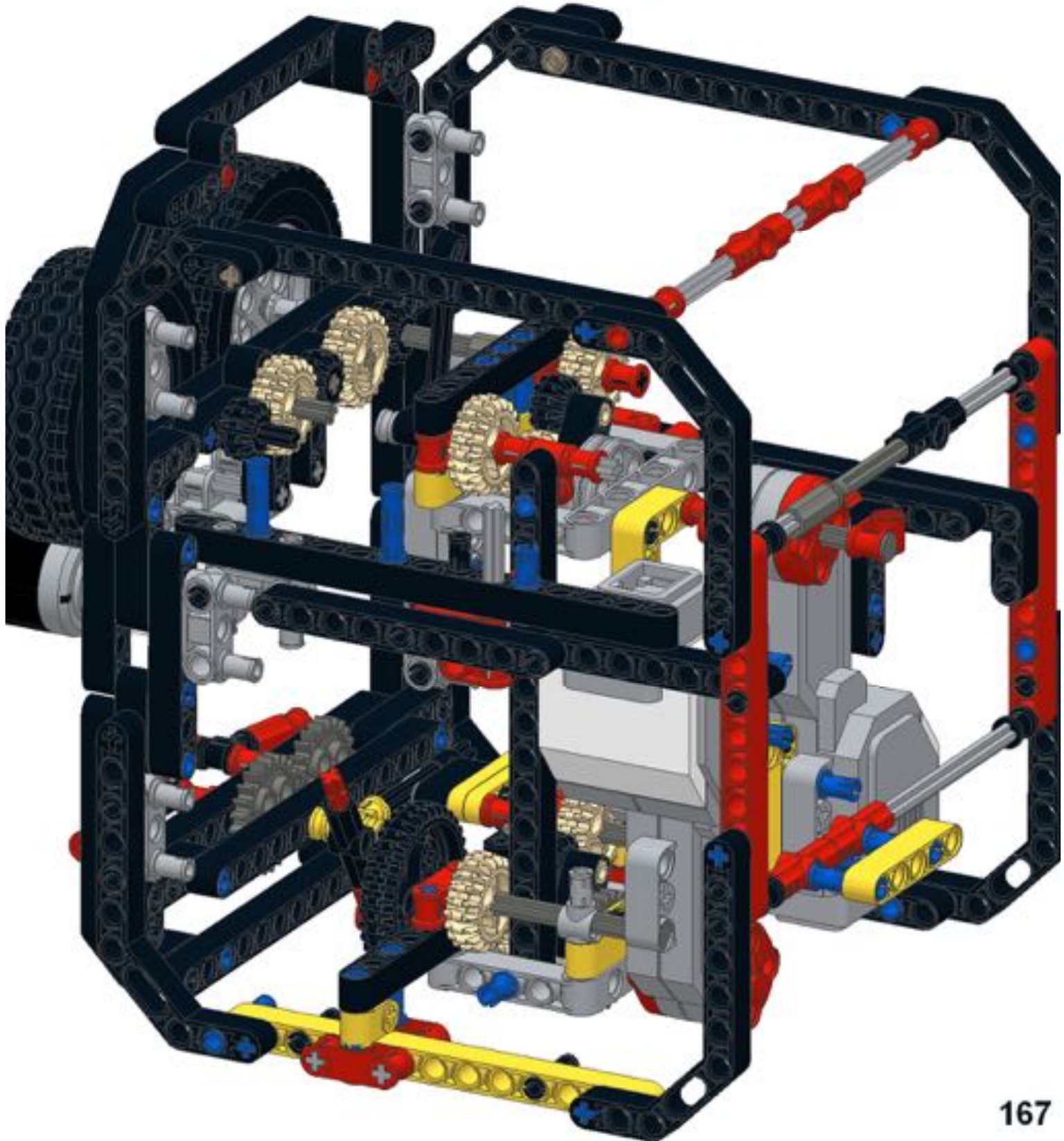
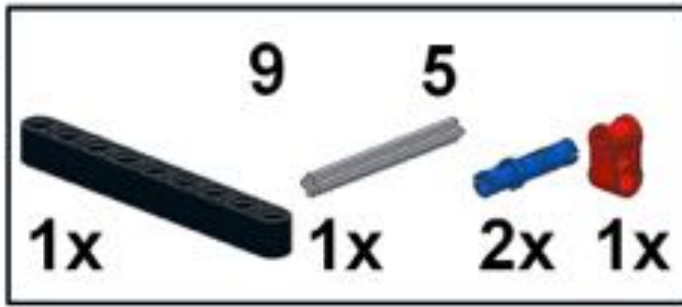
165

# 166



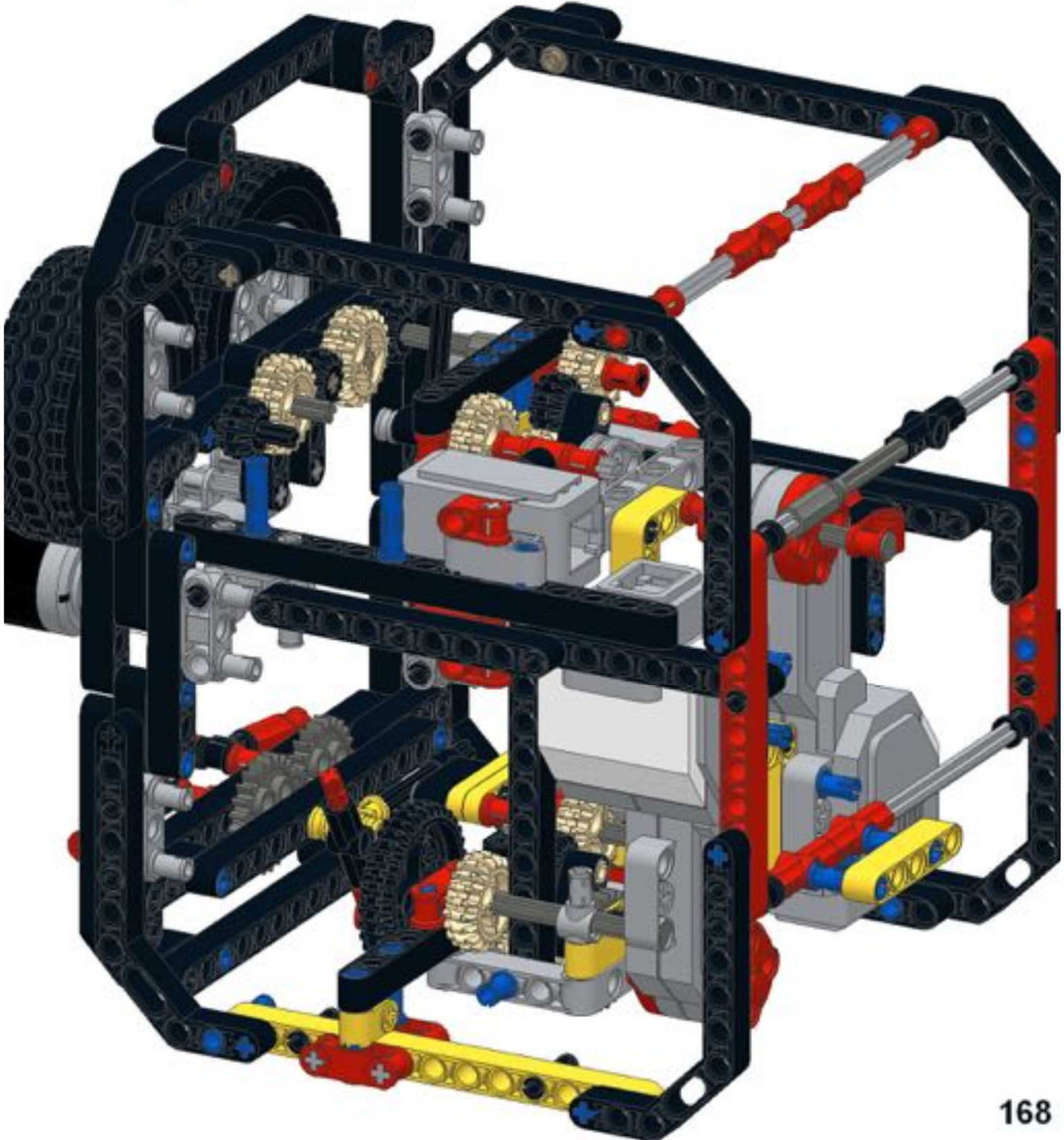
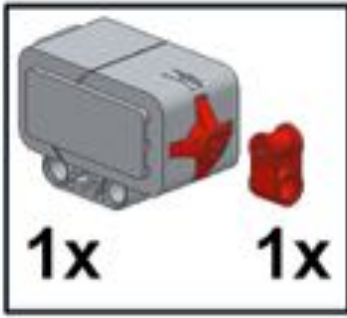
166

# 167



167

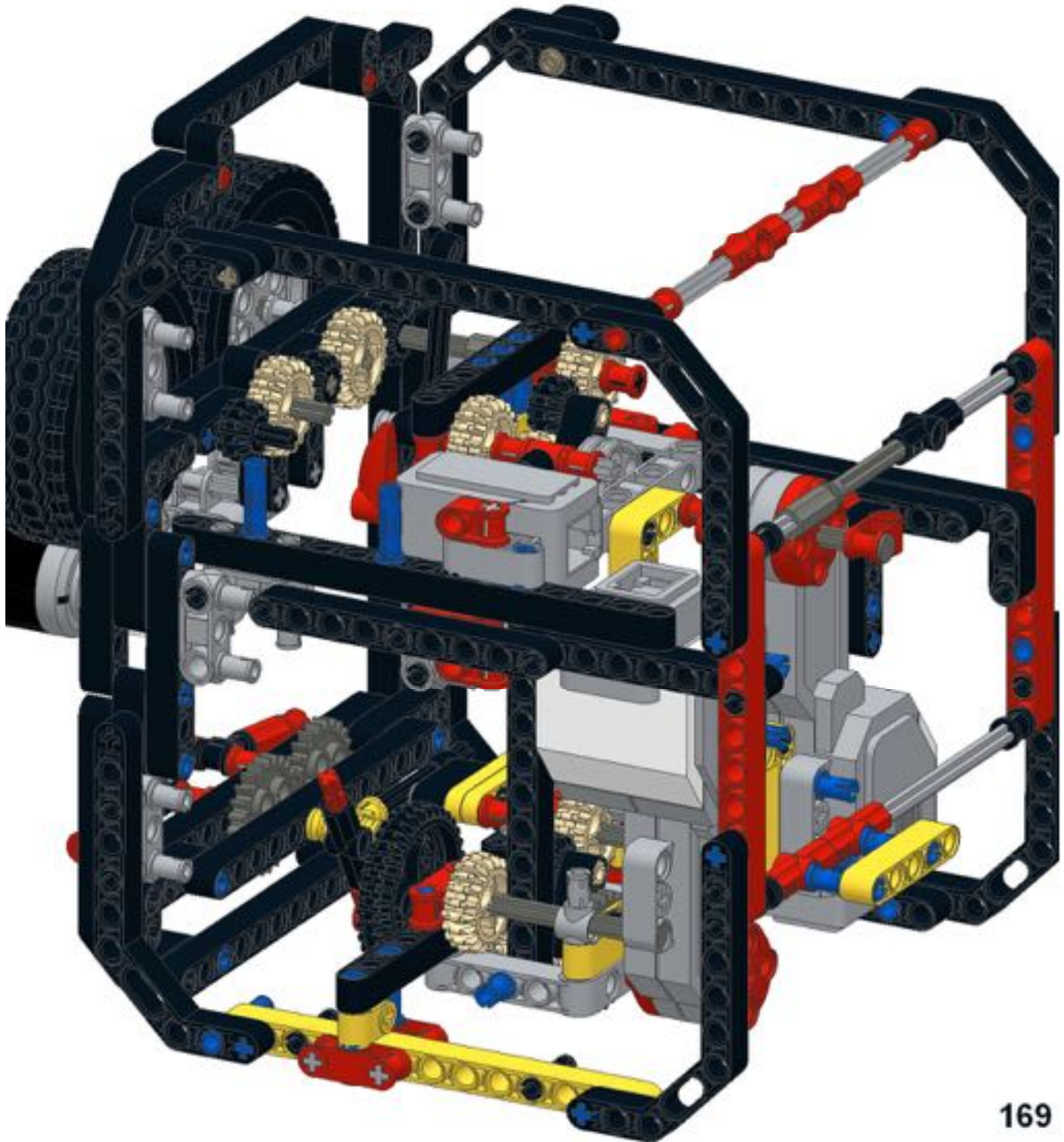
# 168



168

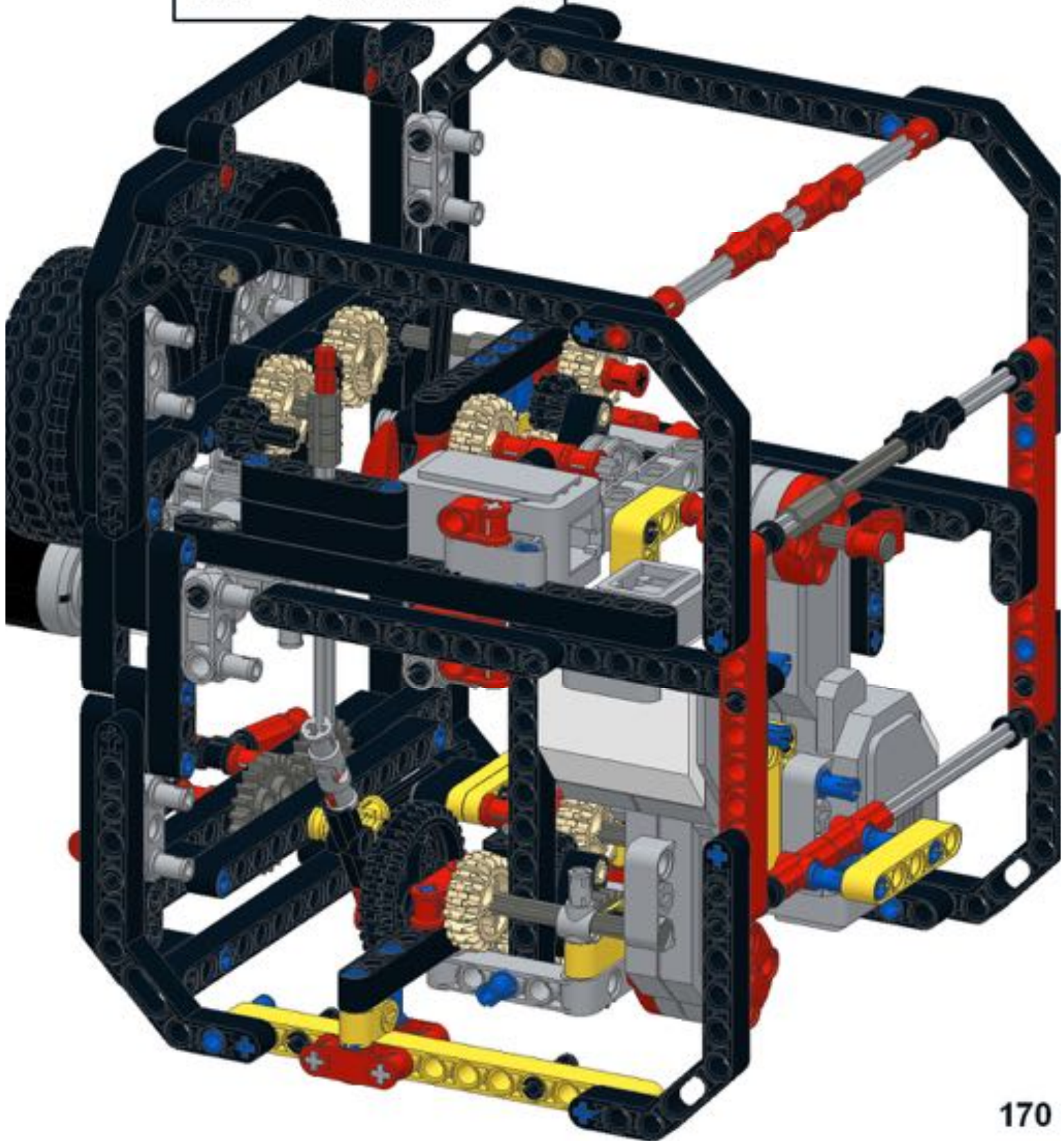


# 169



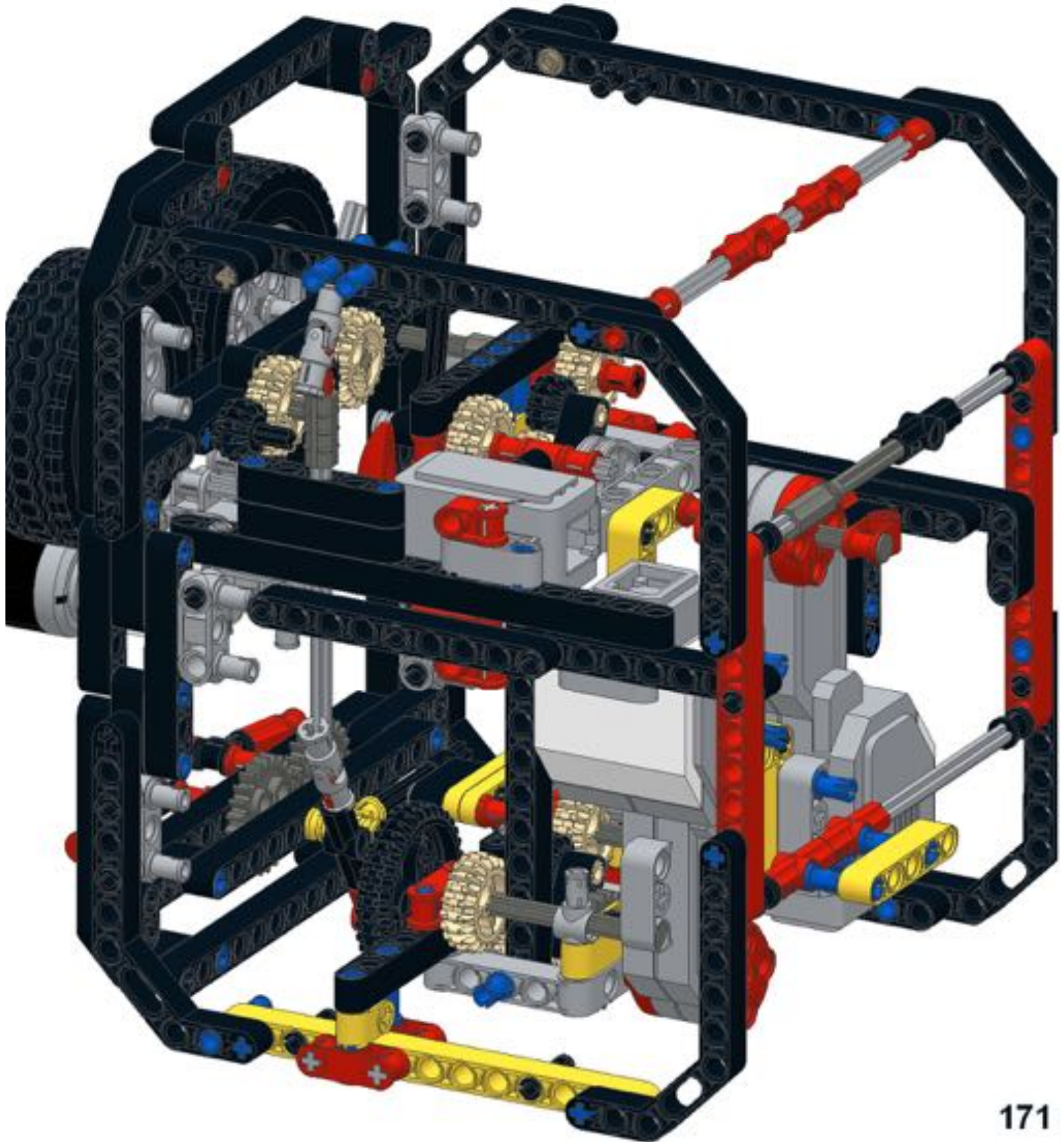
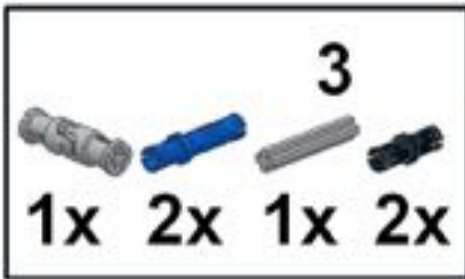
169

# 170



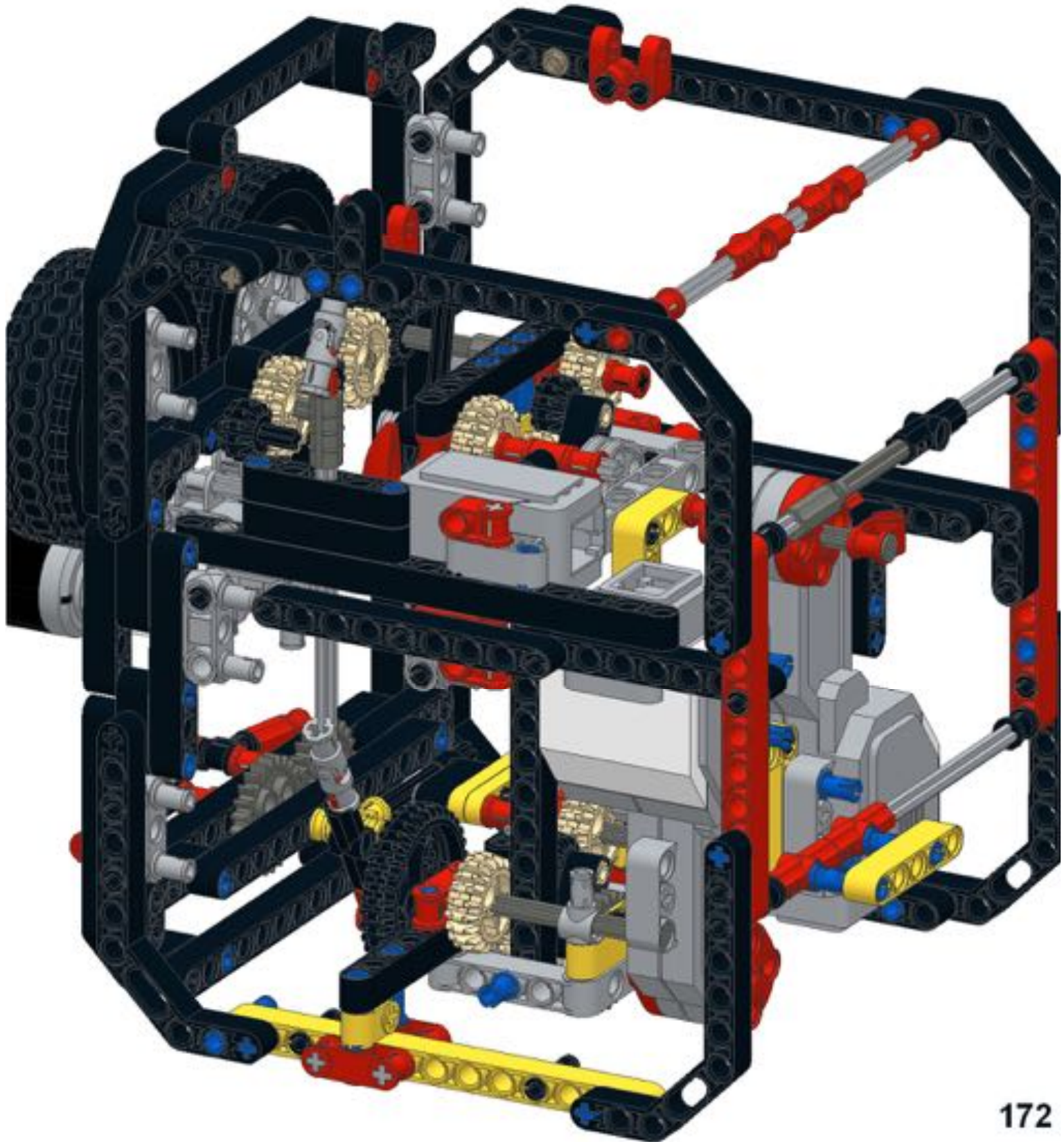
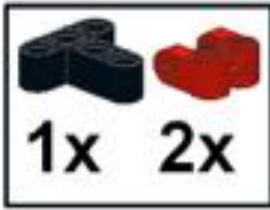
170

# 171



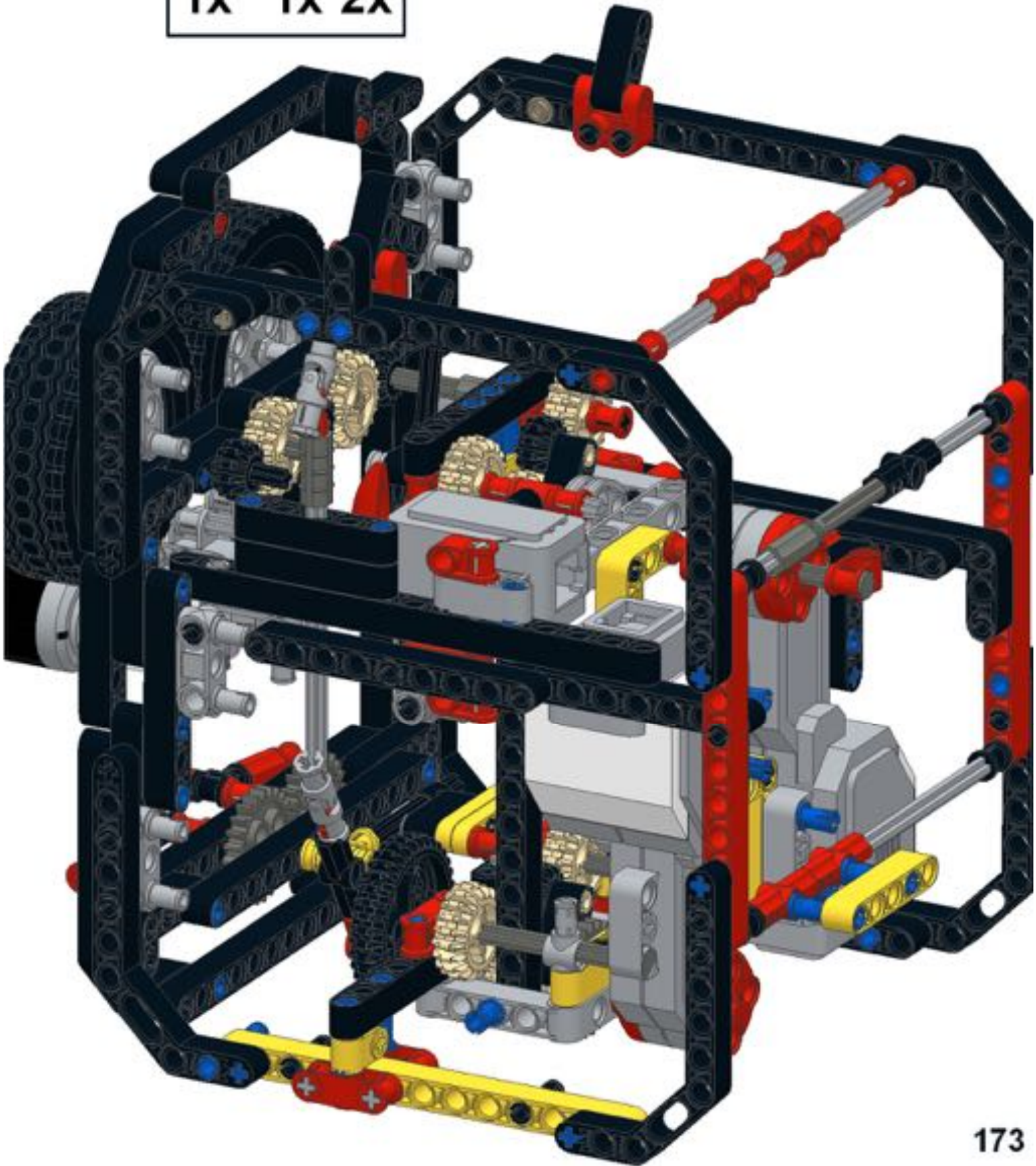
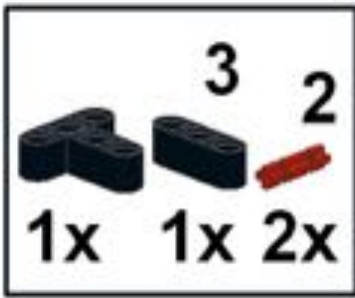
171

# 172



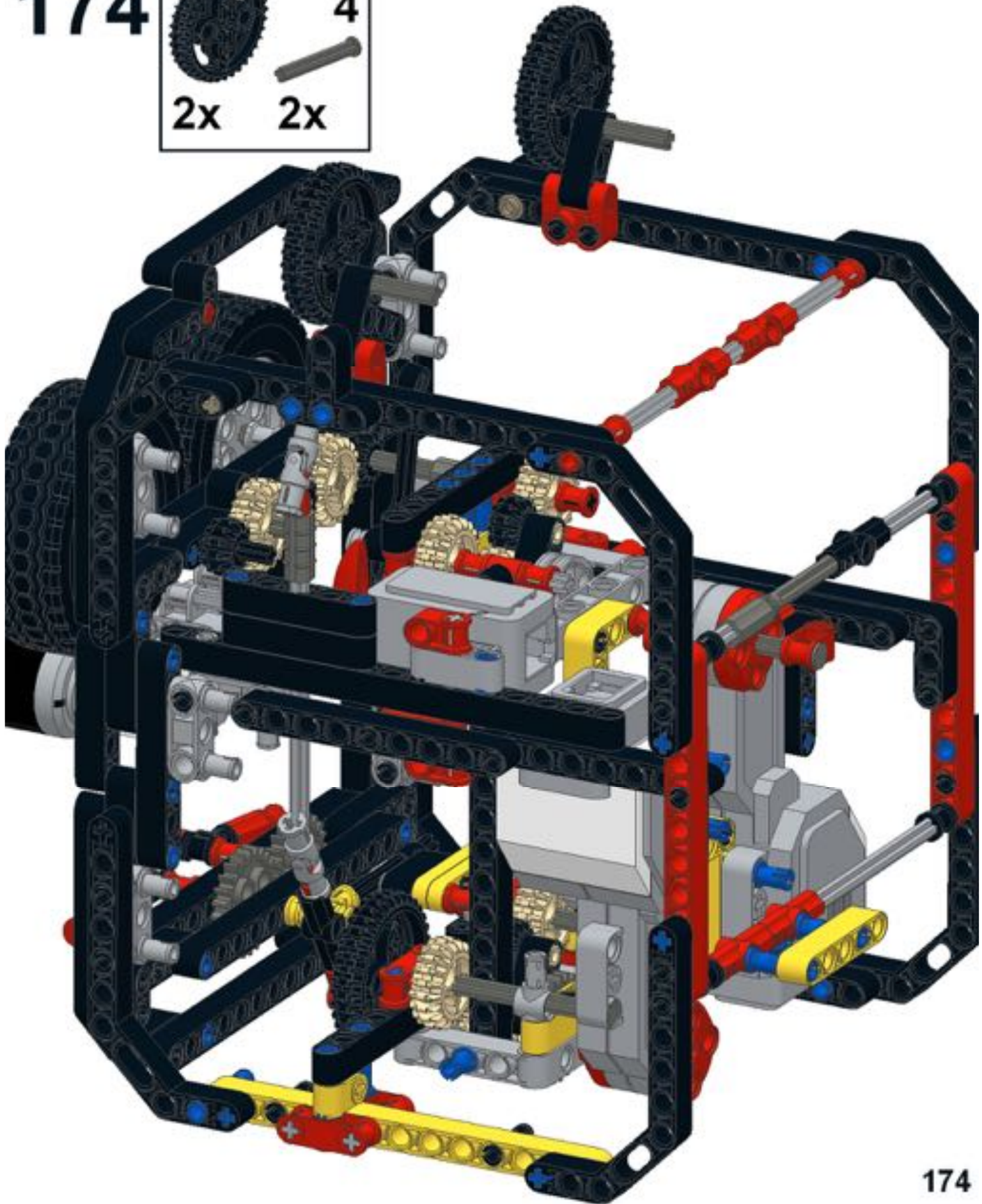
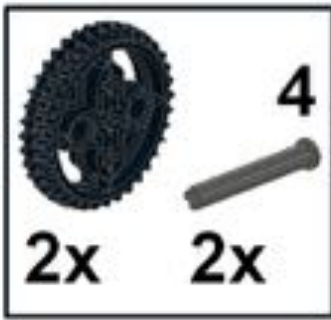
172

# 173



173

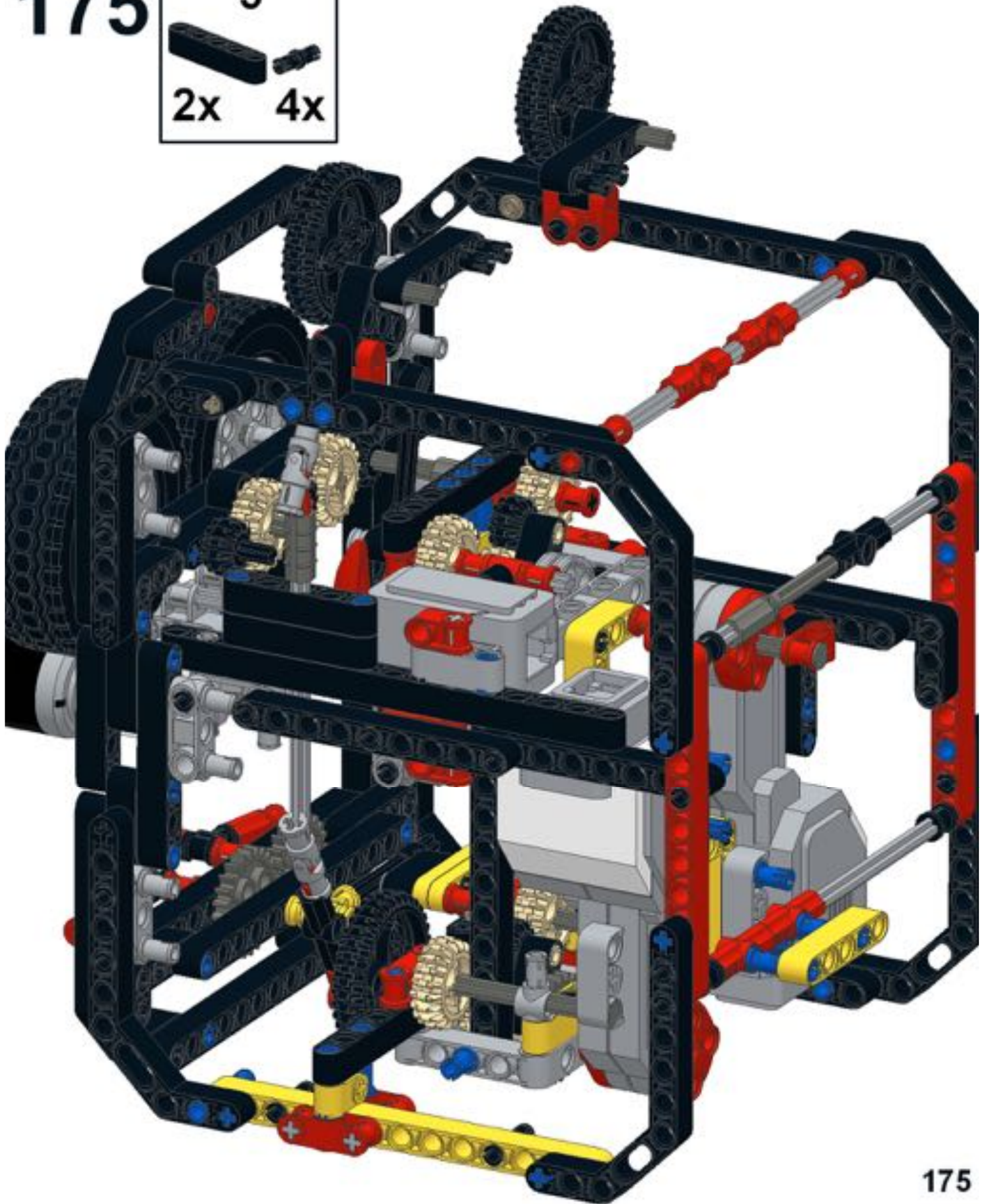
# 174



174

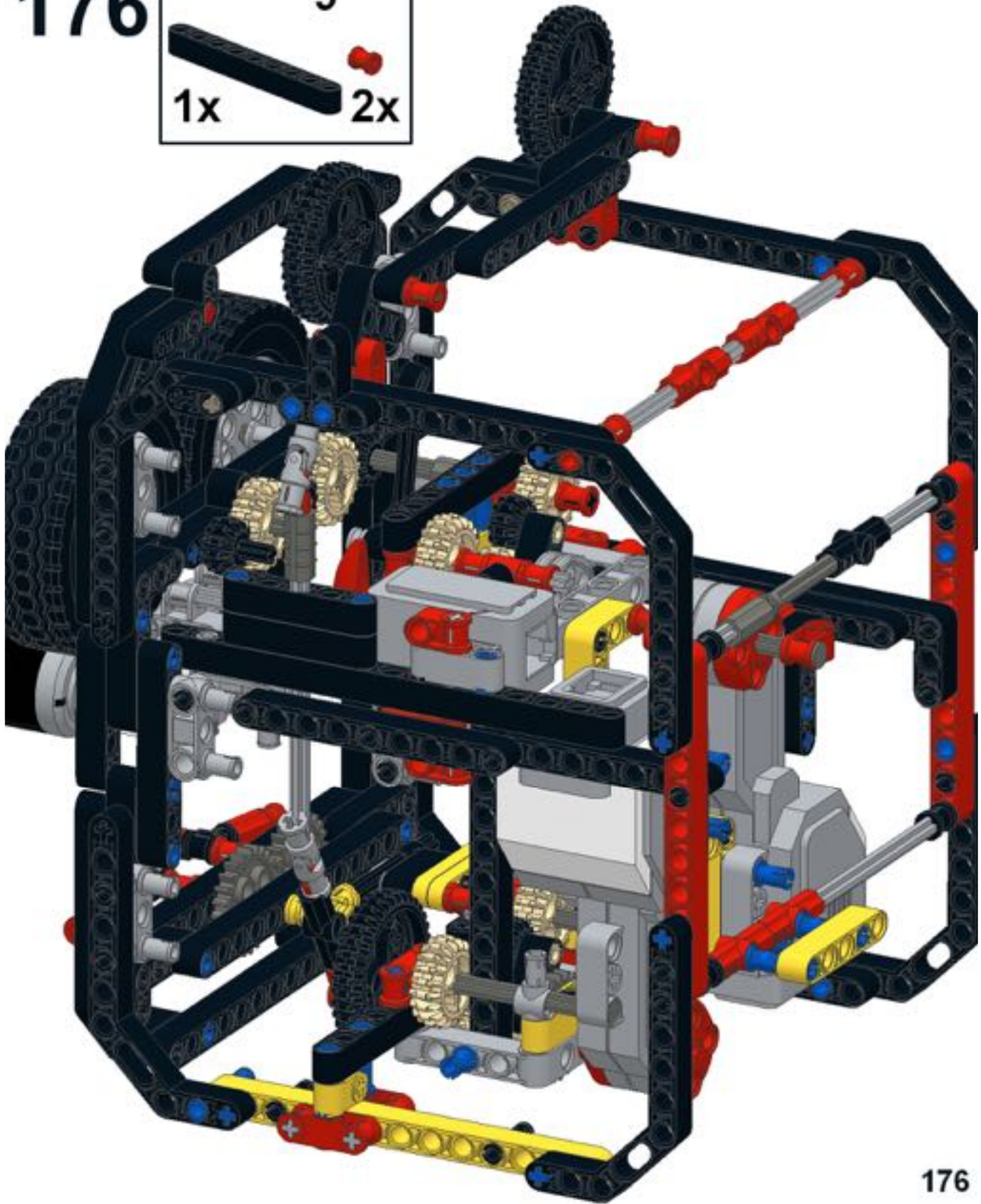
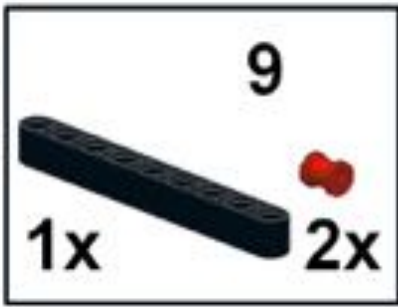
# 175

	5
	
2x	4x



175

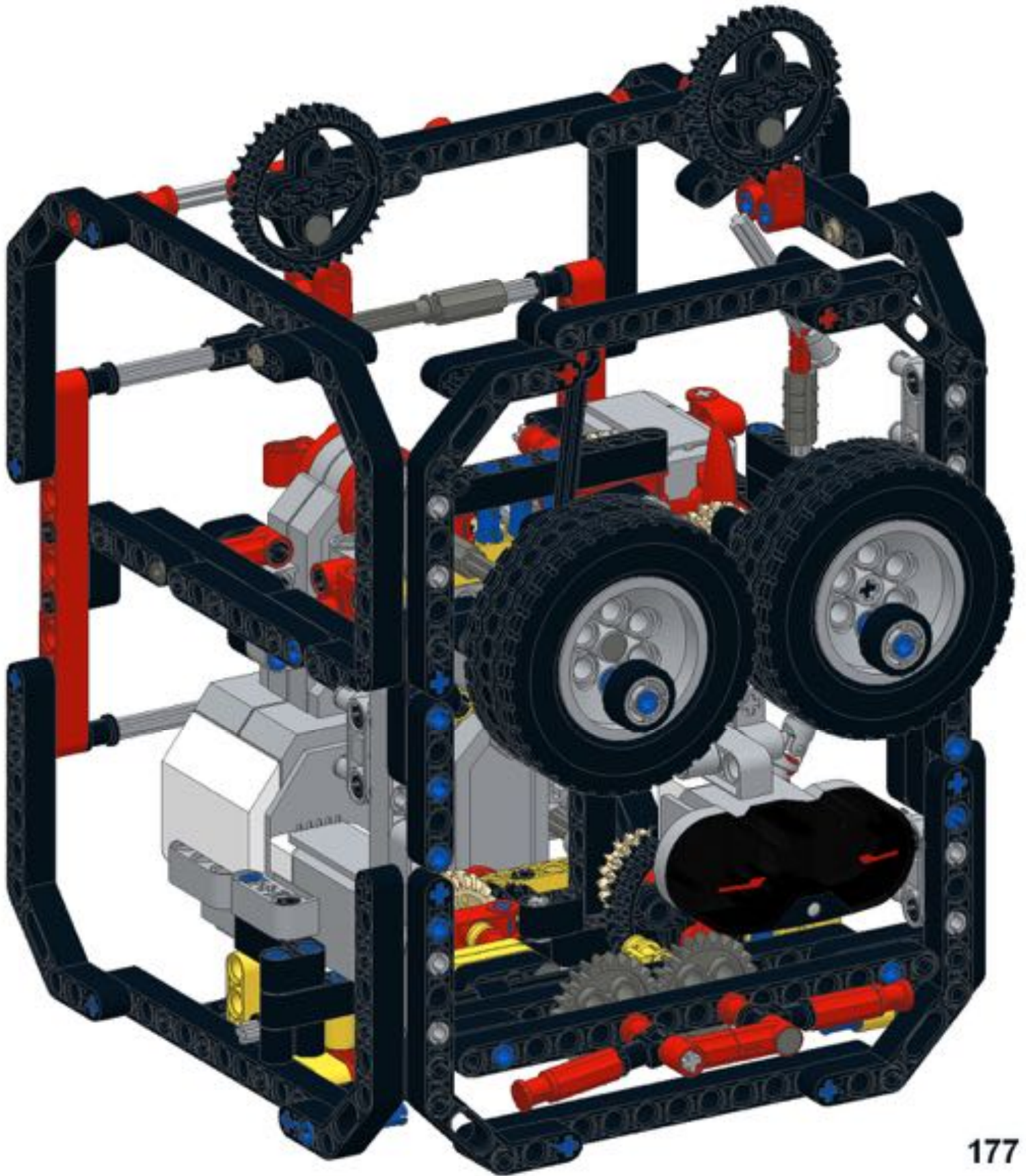
# 176



176







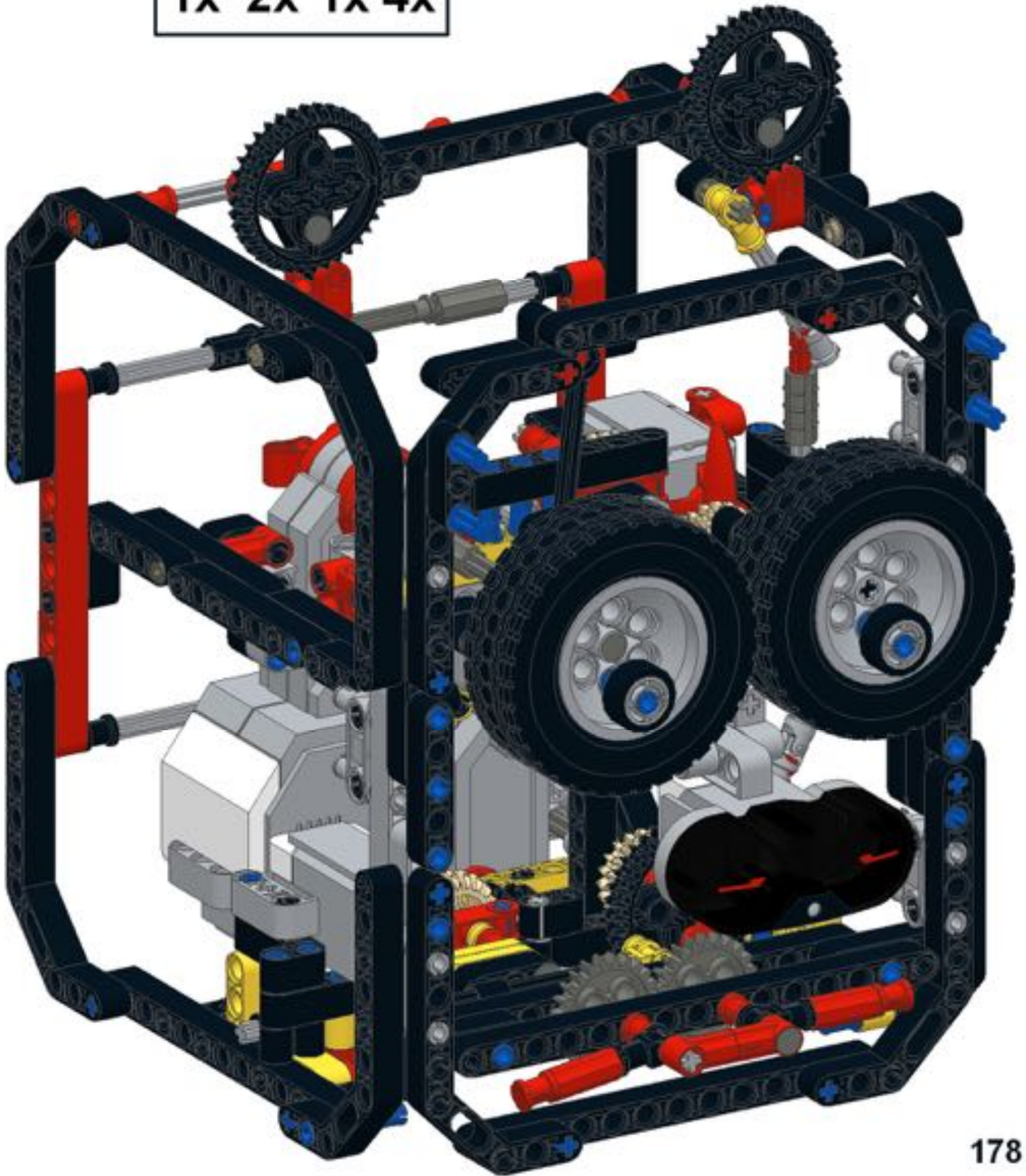
177  2x



177

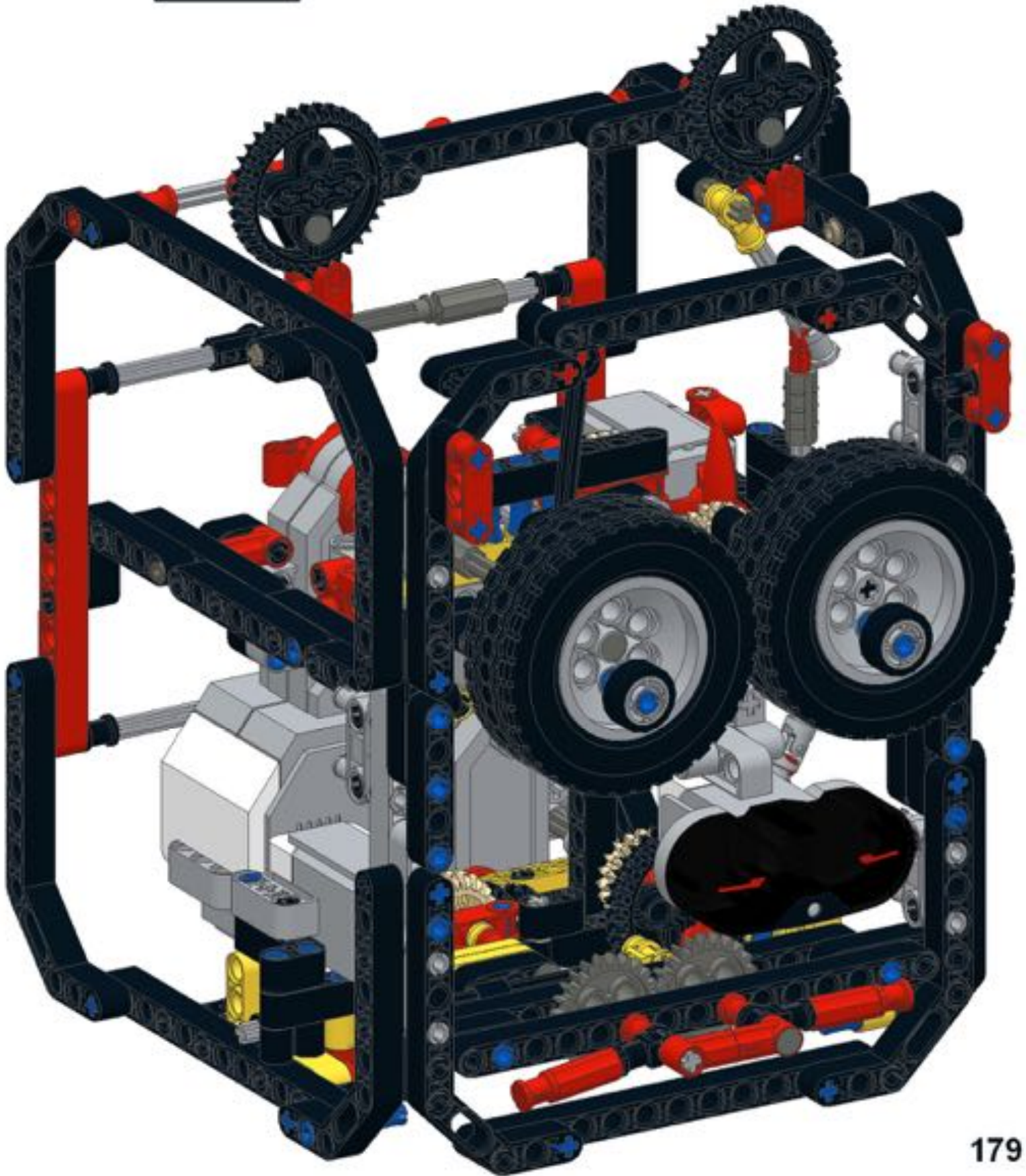
# 178

			
1x	2x	1x	4x



178

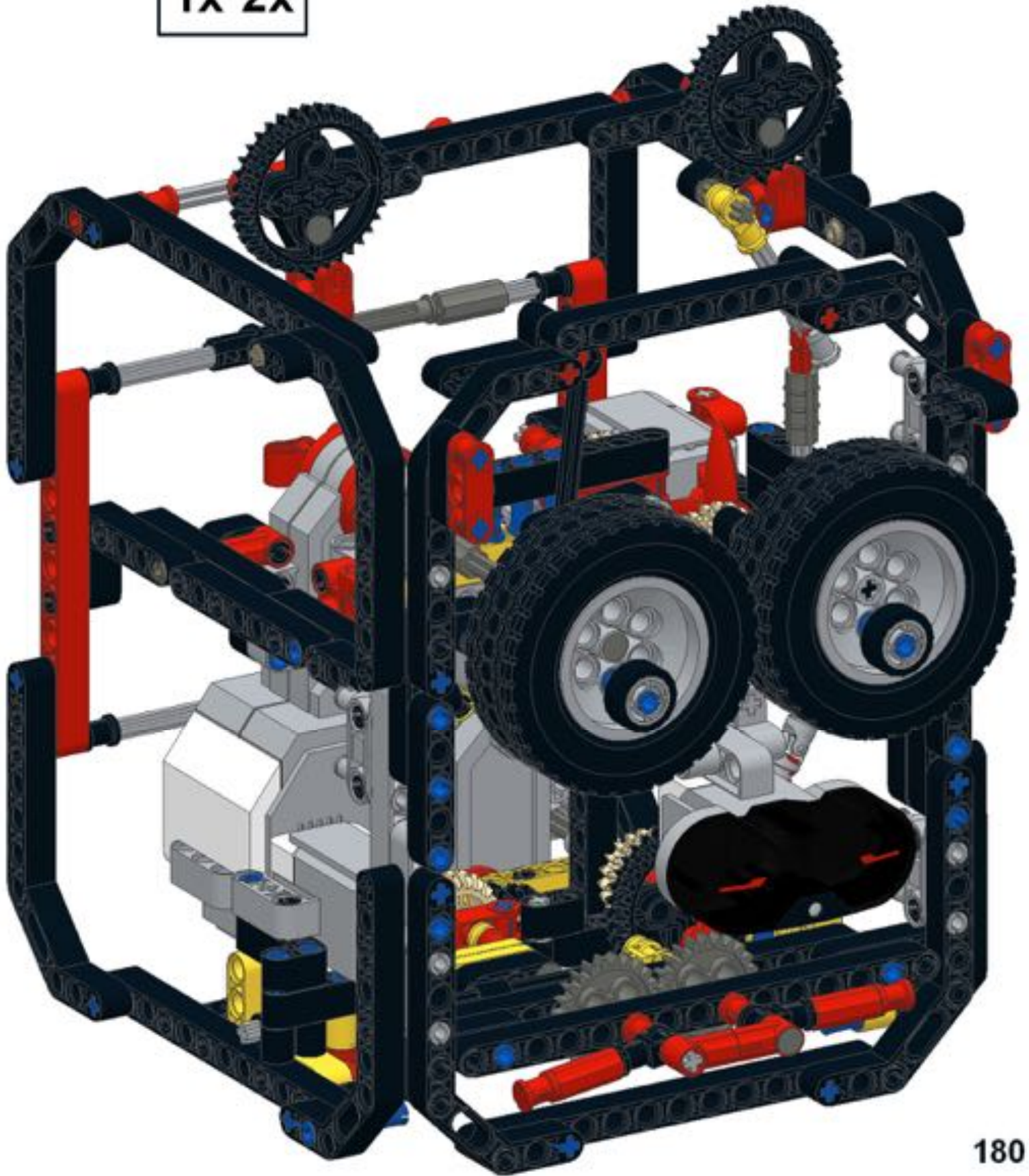
# 179



179

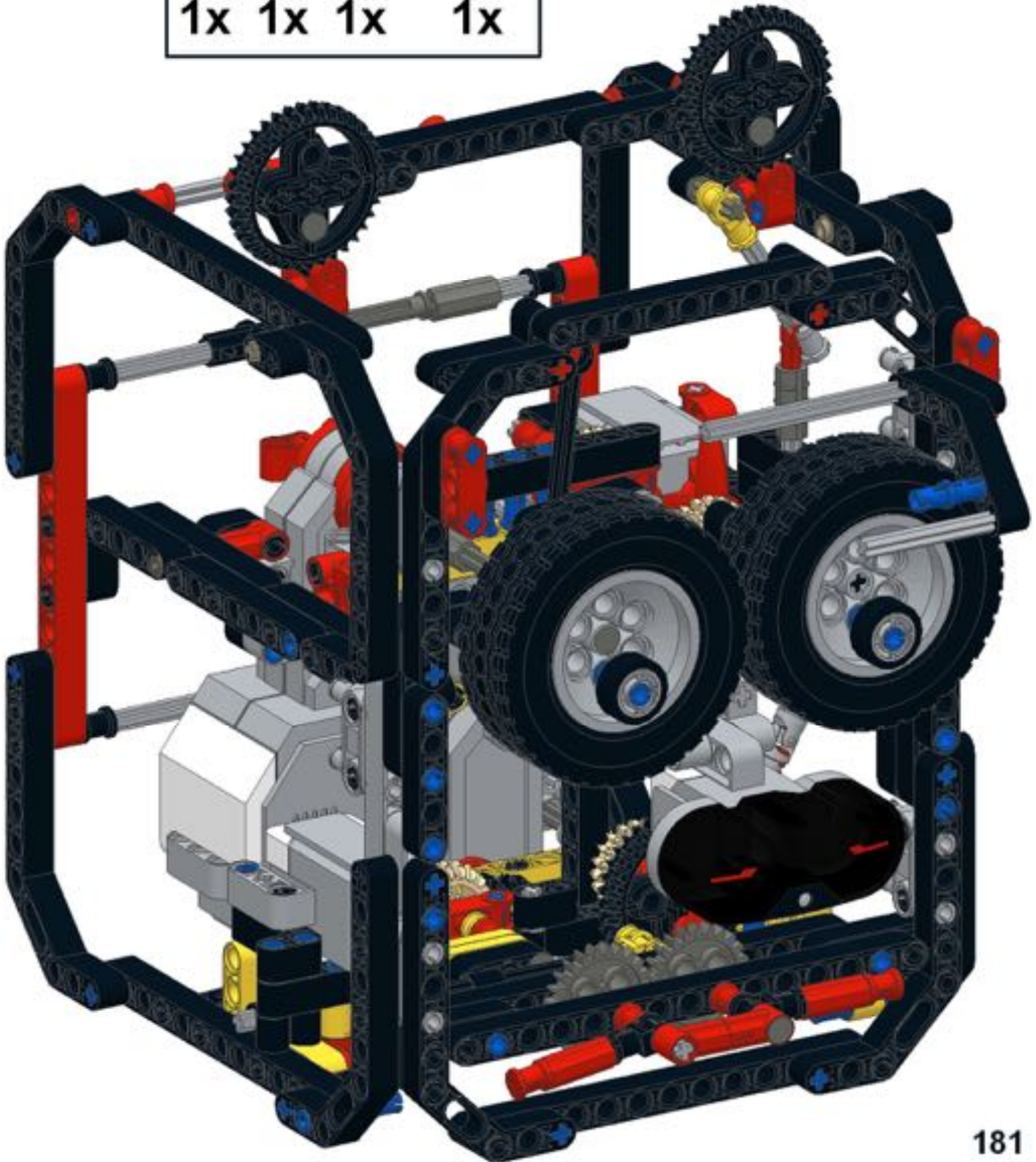
# 180

3	
	
1x	2x



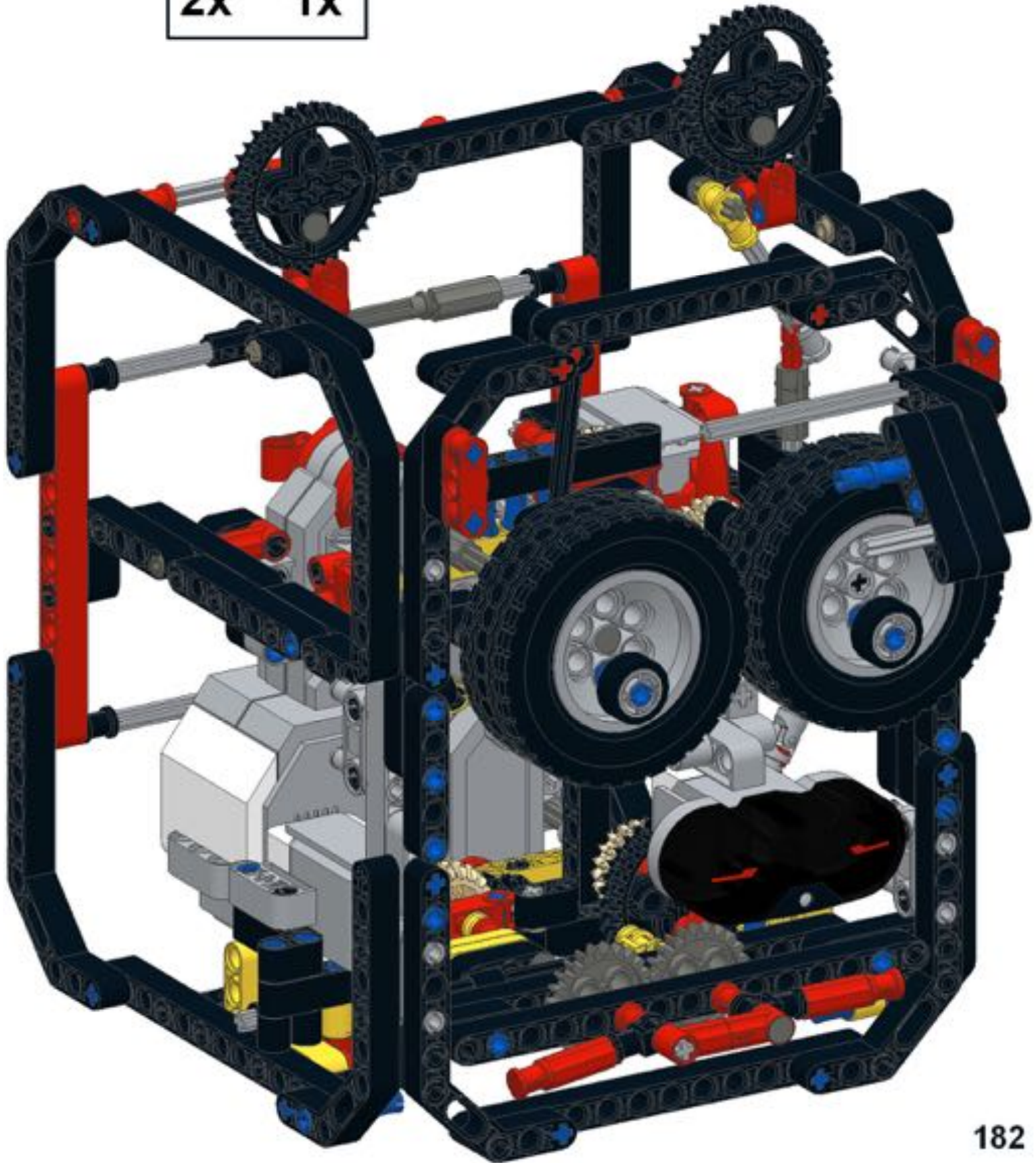
180

# 181



181

# 182



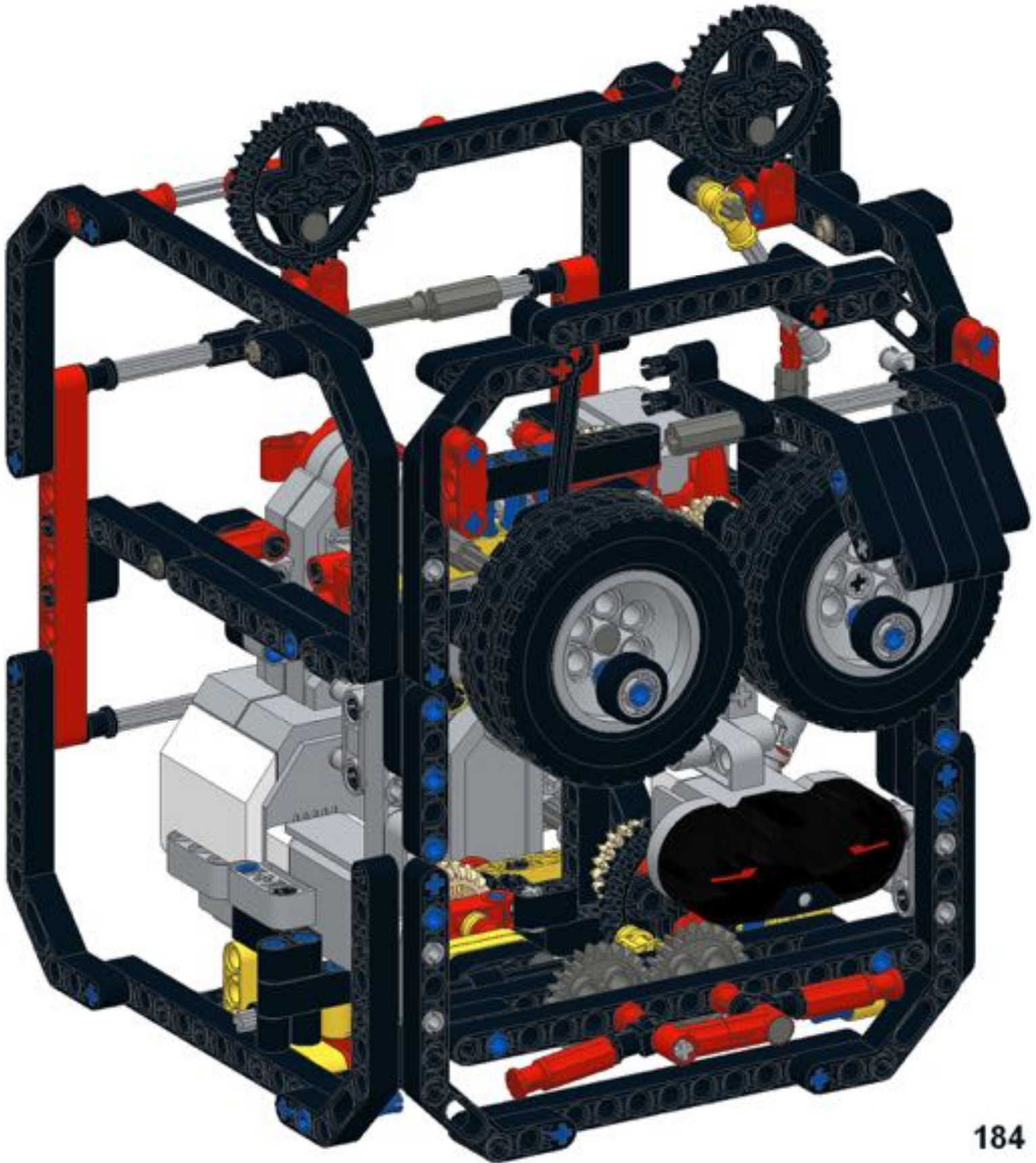
182

# 183



183

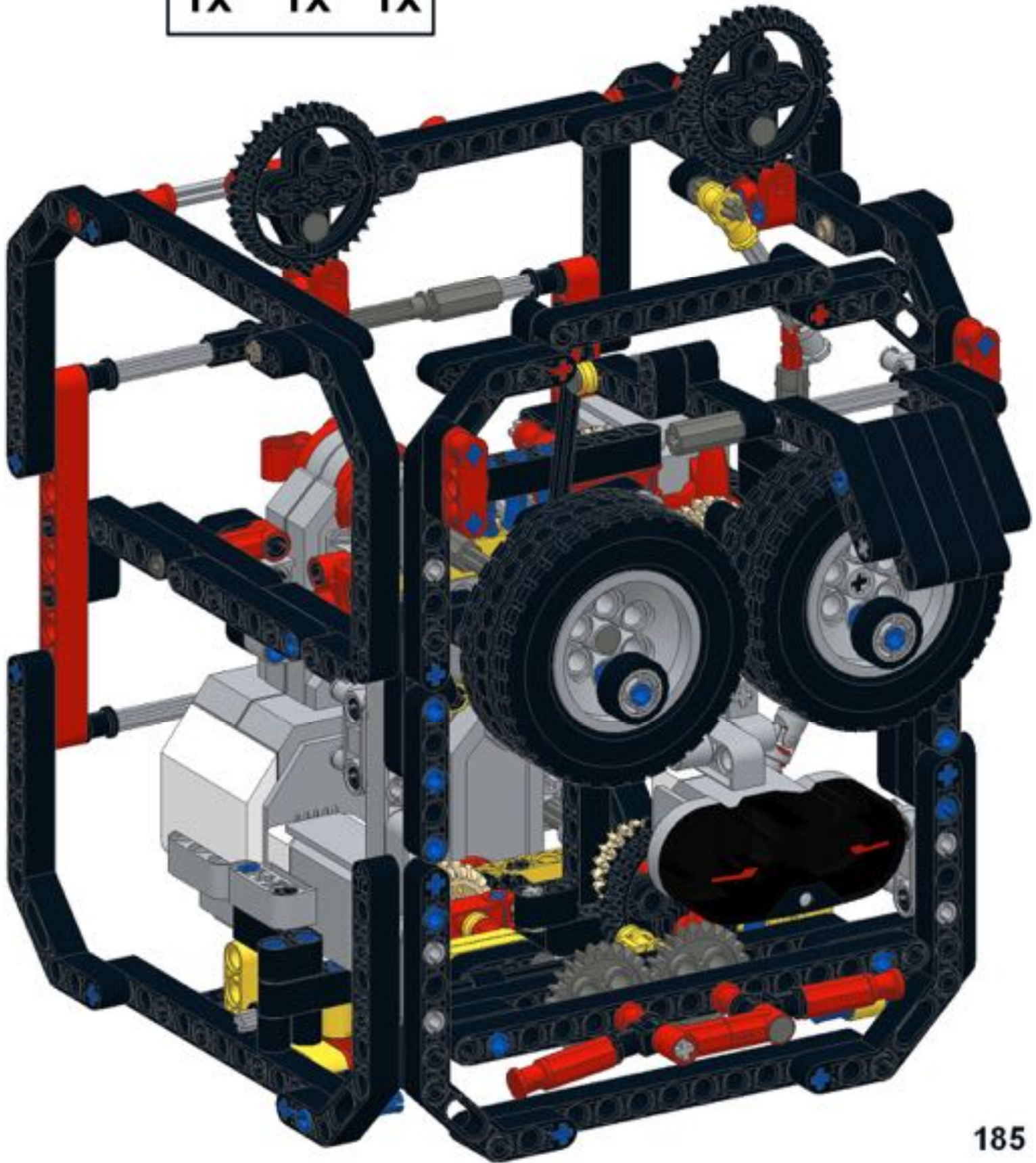
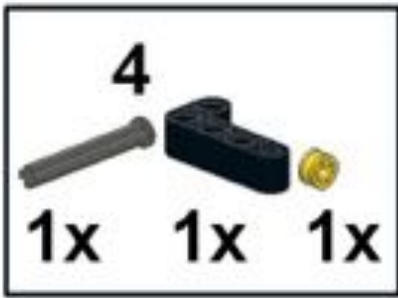
# 184



184

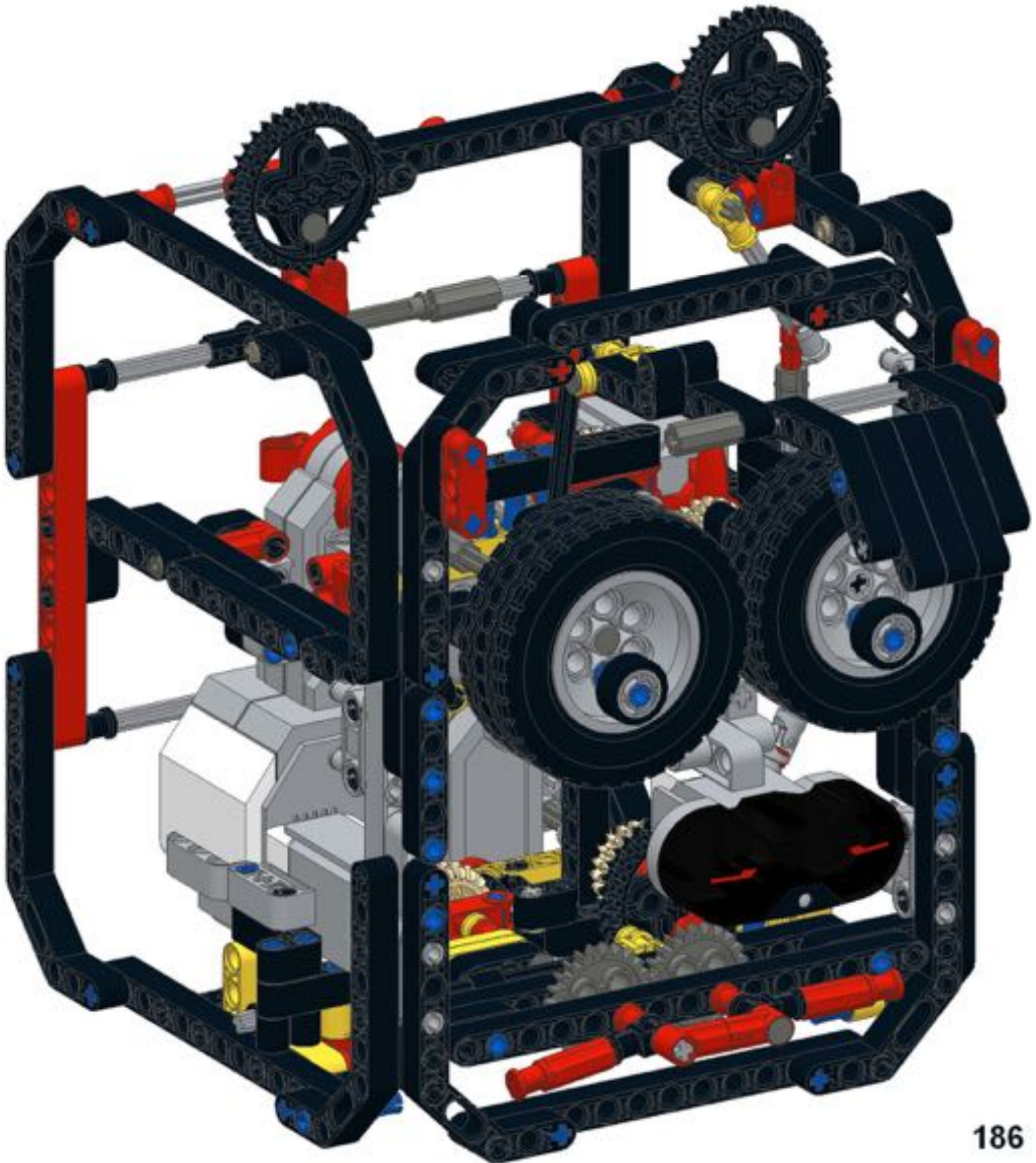


# 185



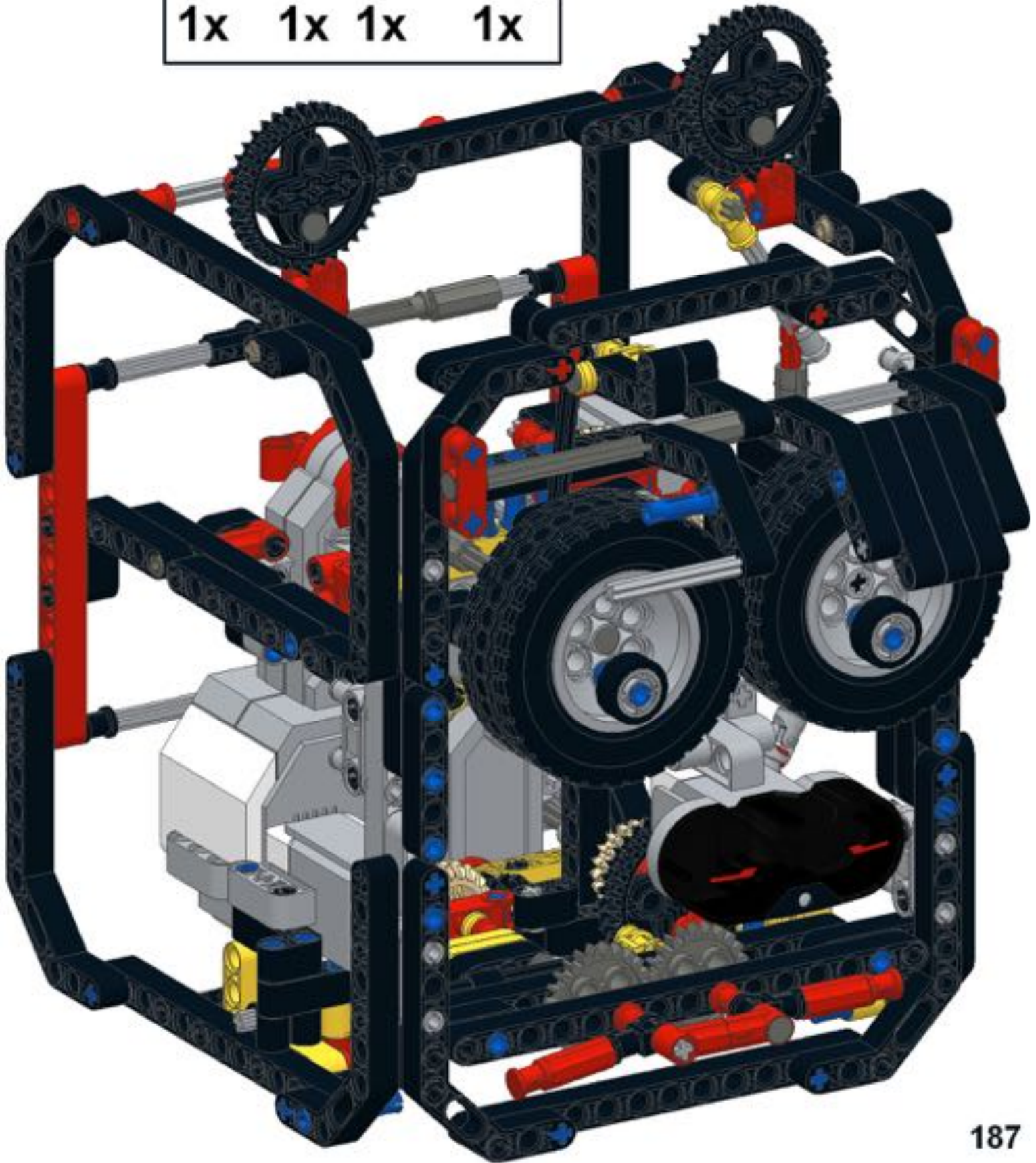
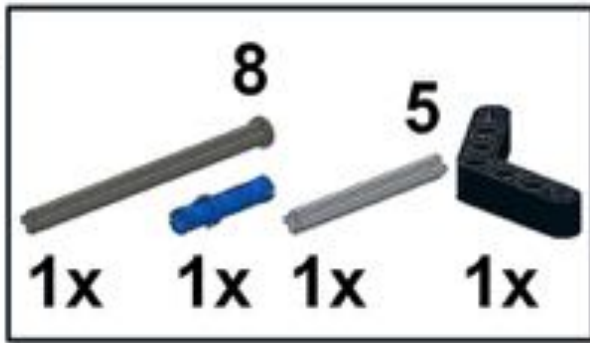
185

# 186



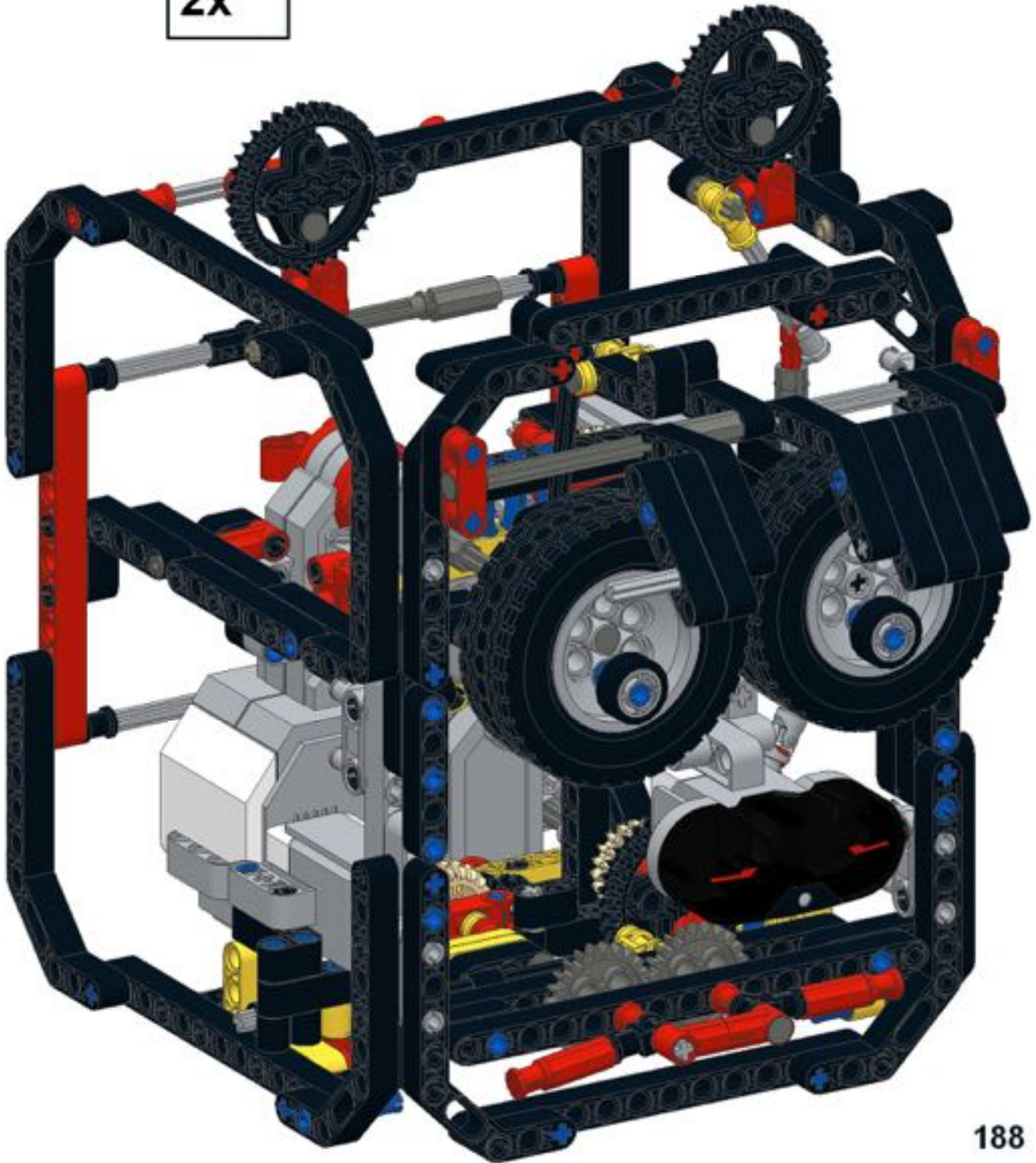
186

# 187



187

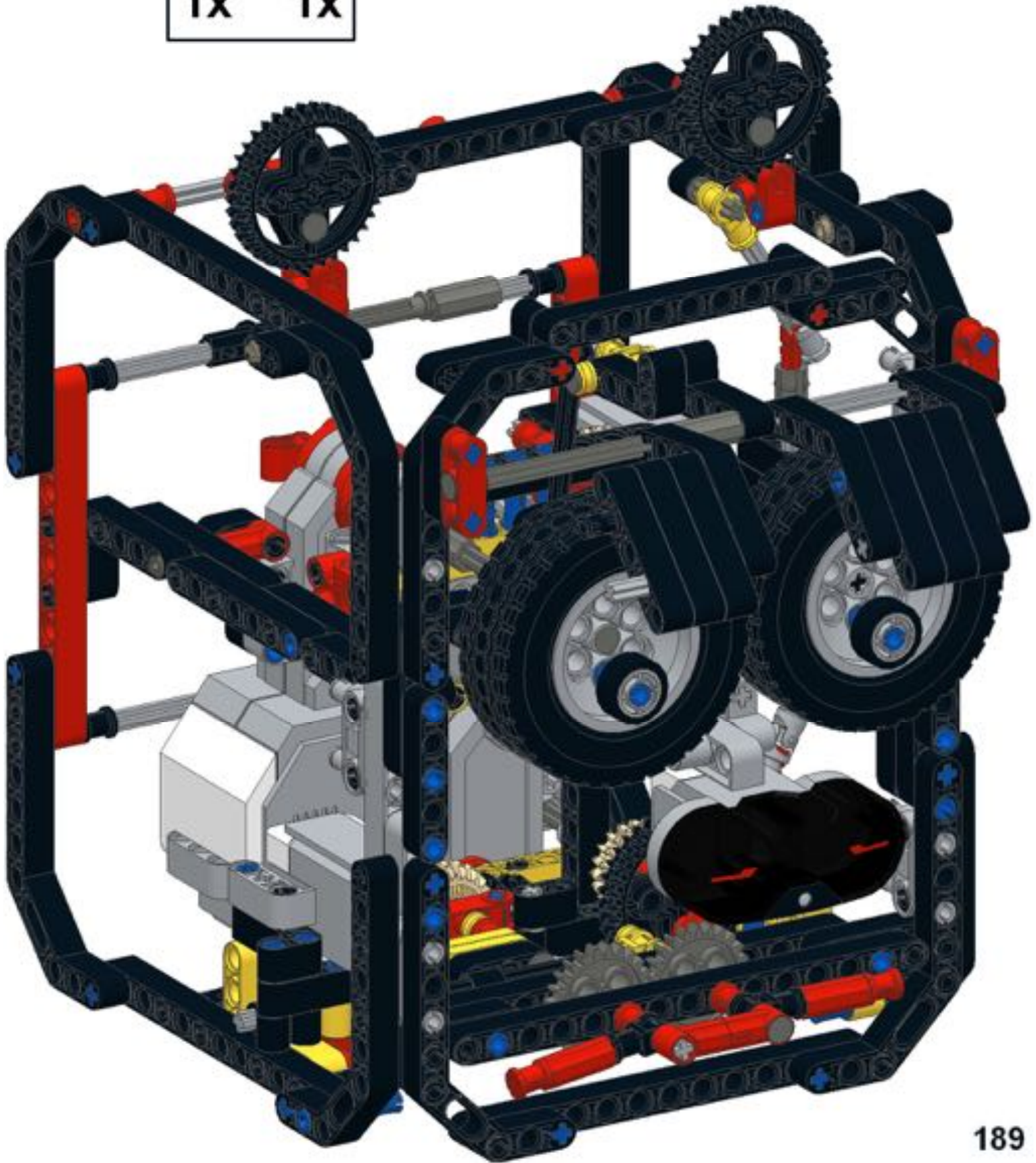
# 188



188

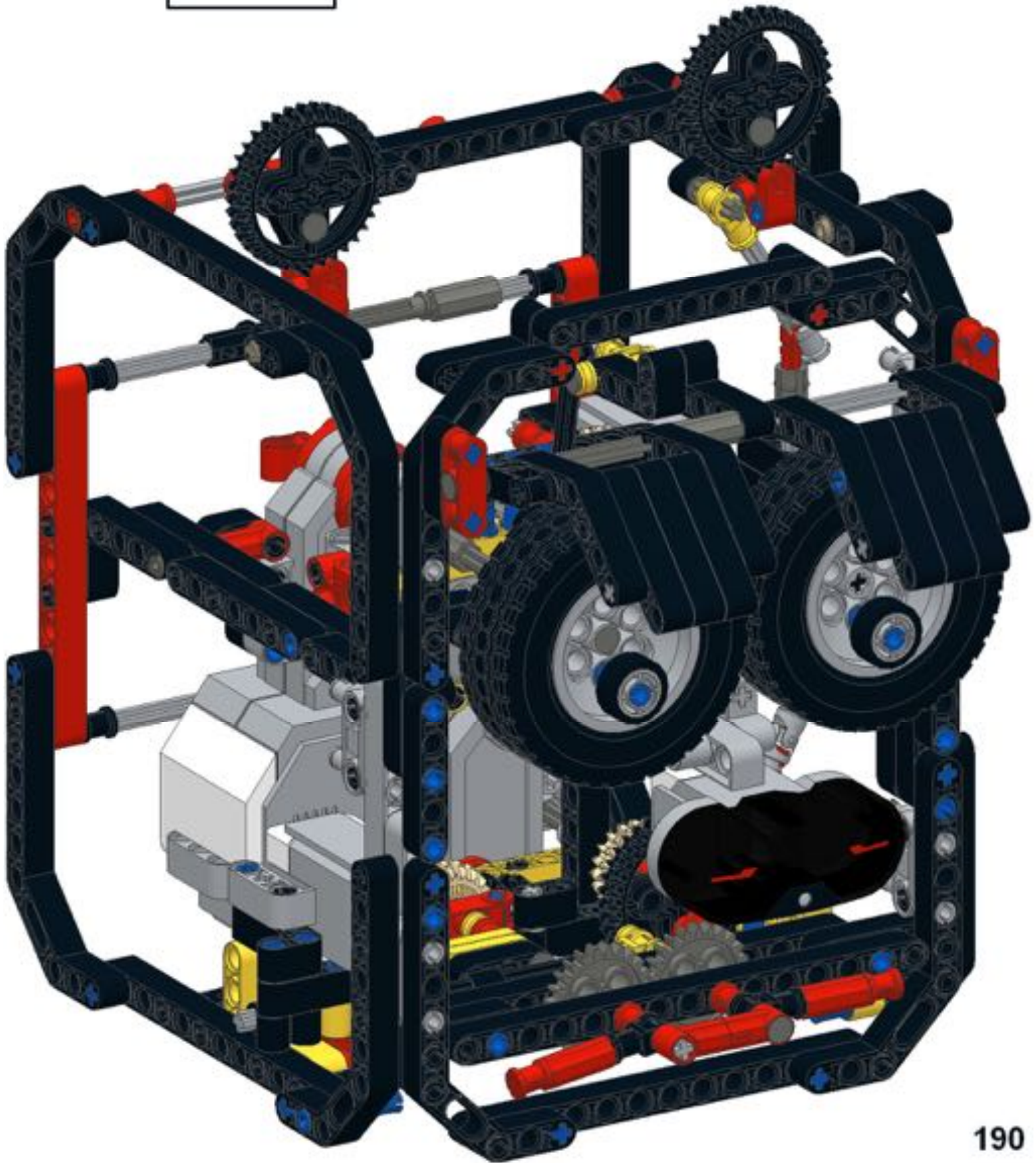
# 189

	5
	
1x	1x



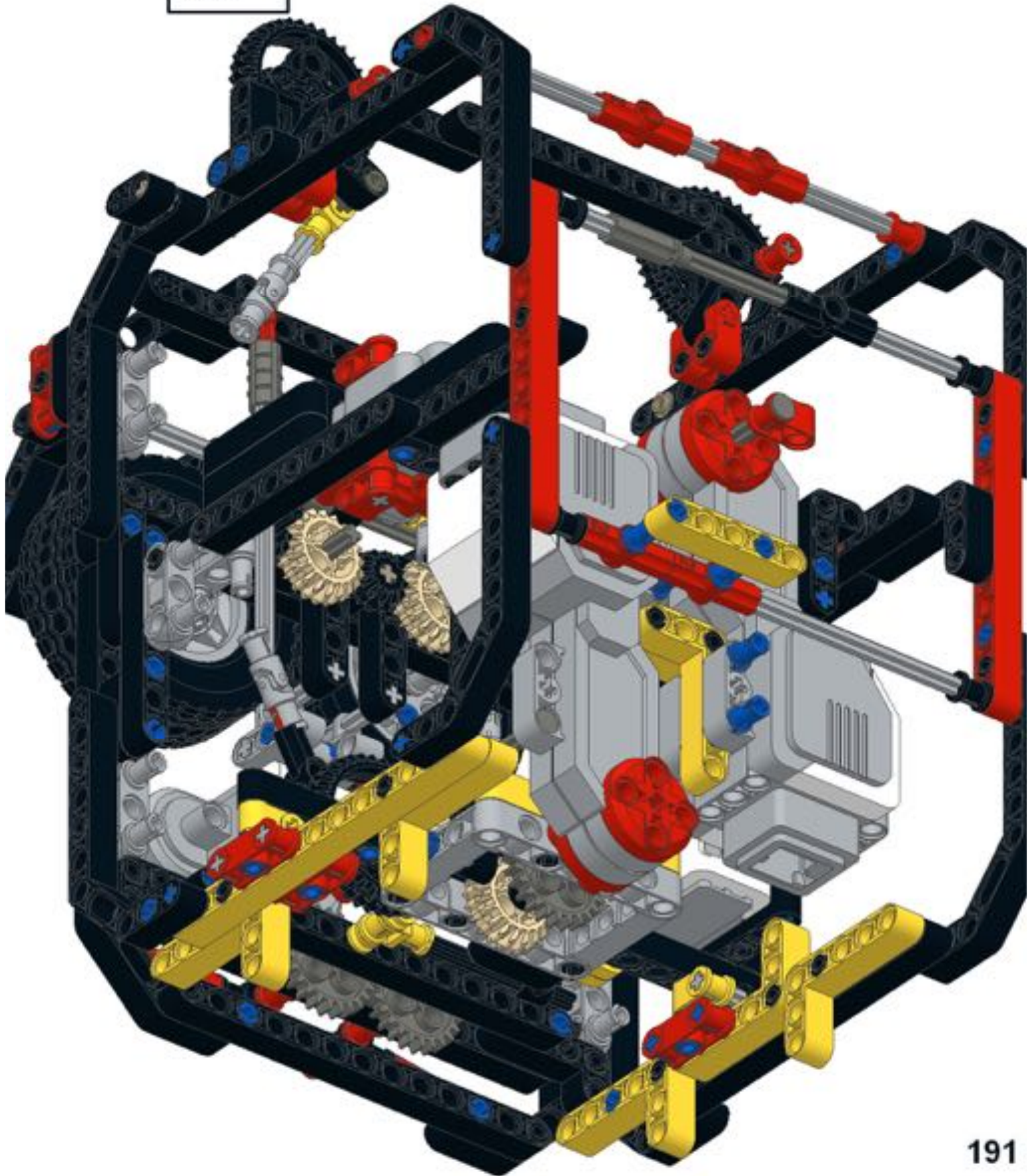
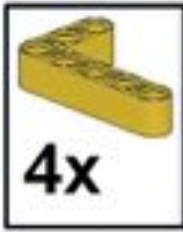
189

# 190



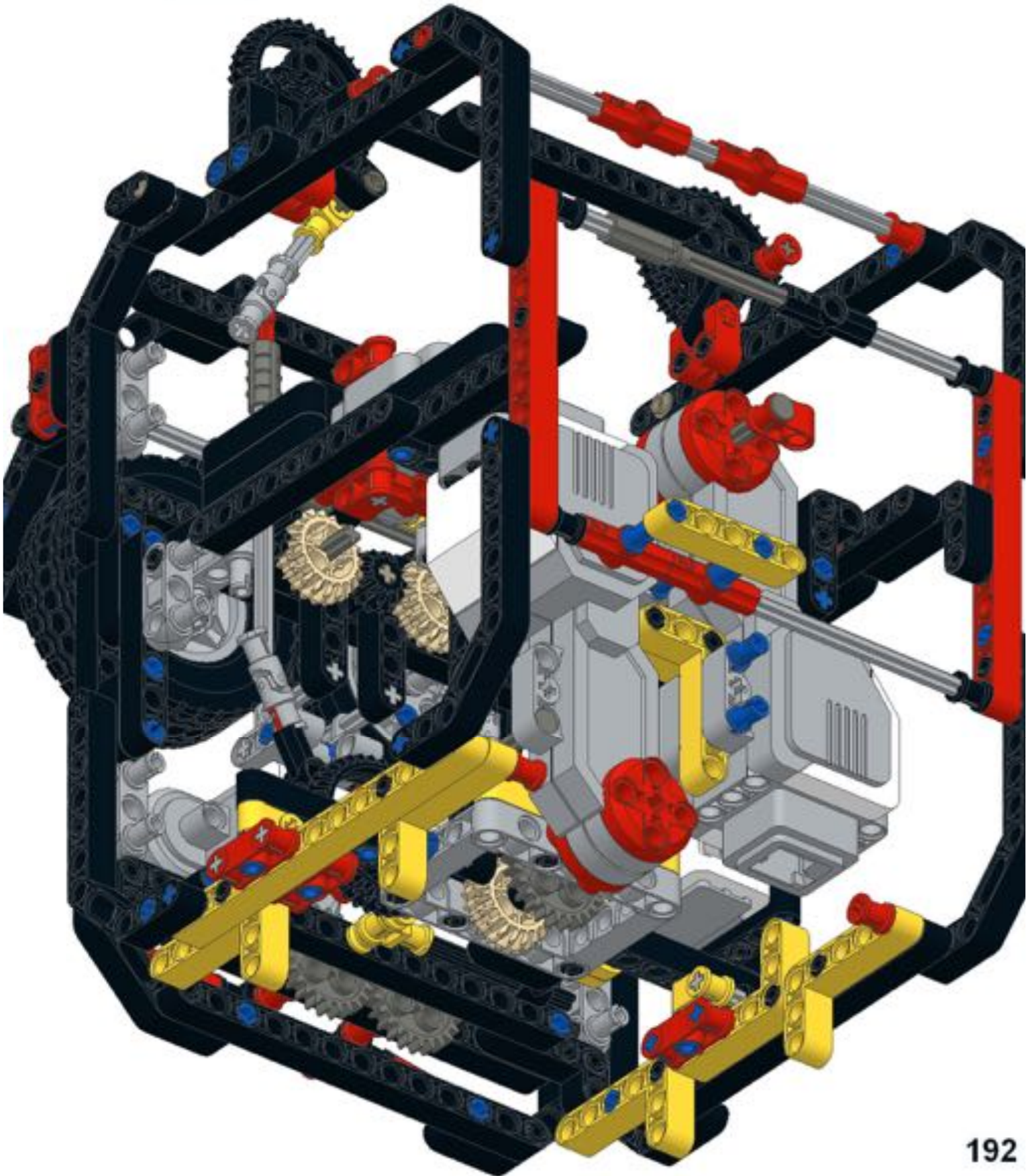
190

# 191



191

# 192

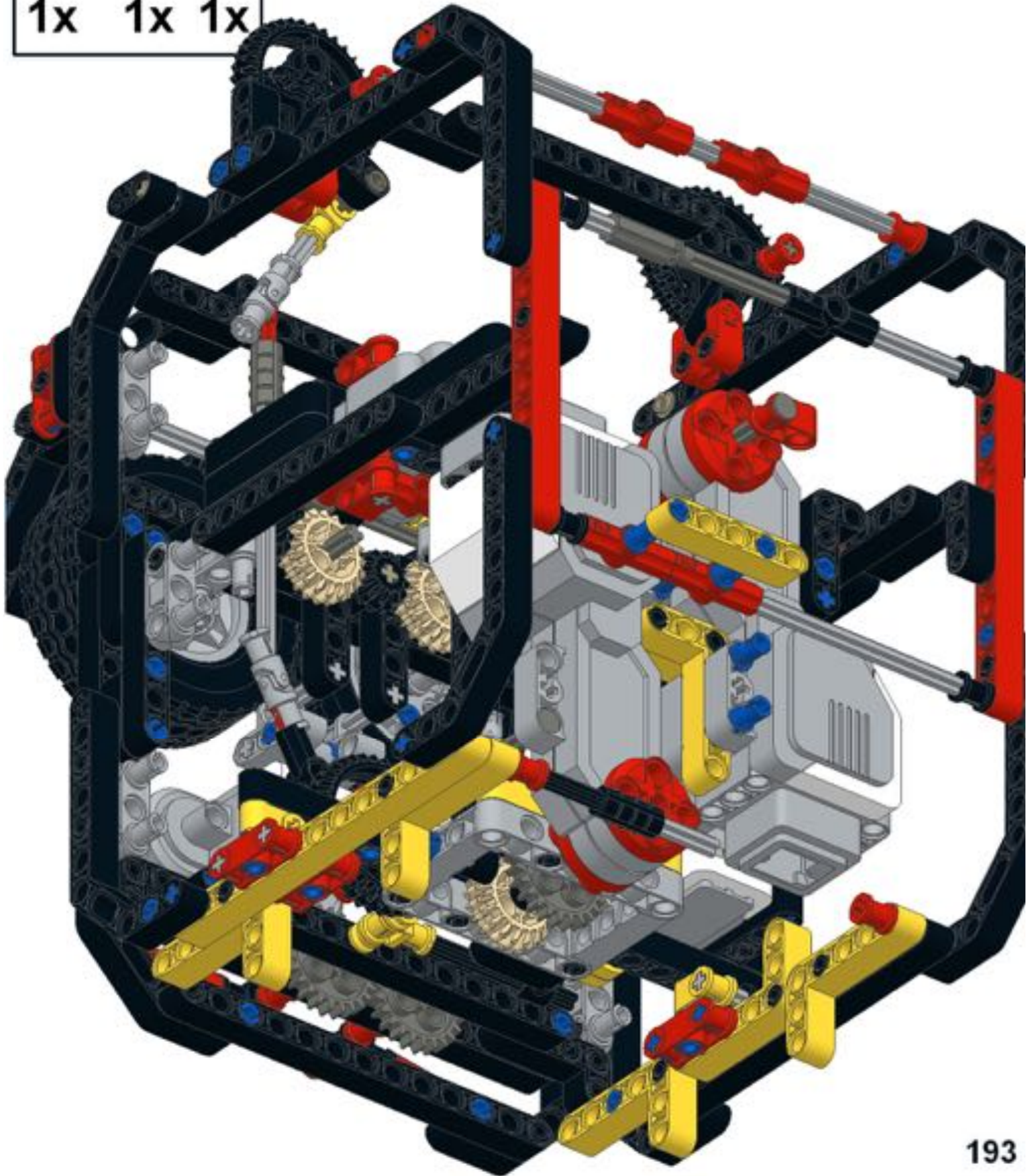


192

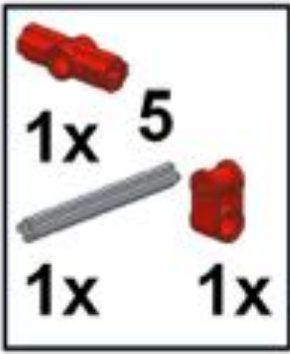




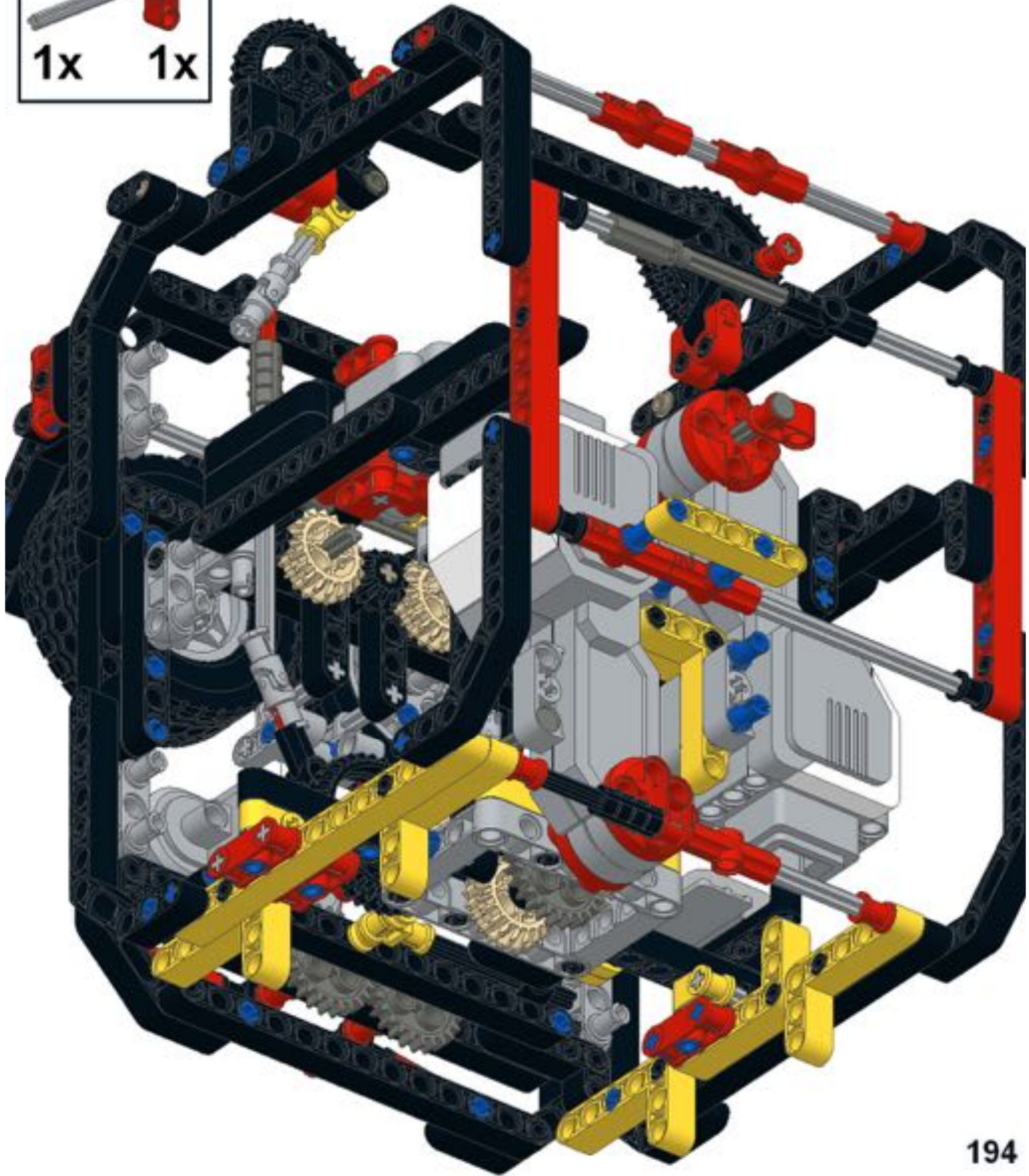
# 193



193

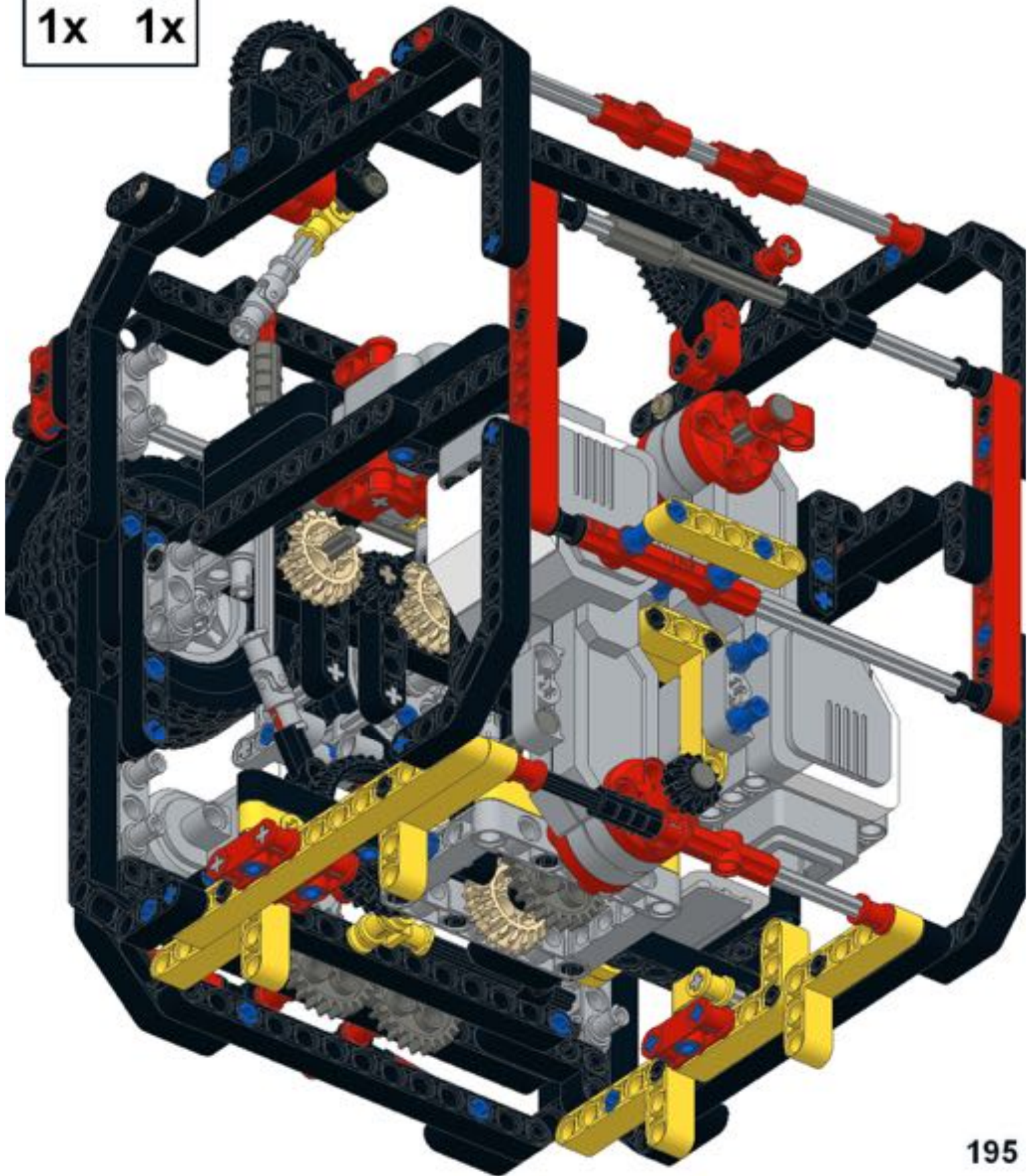


# 194



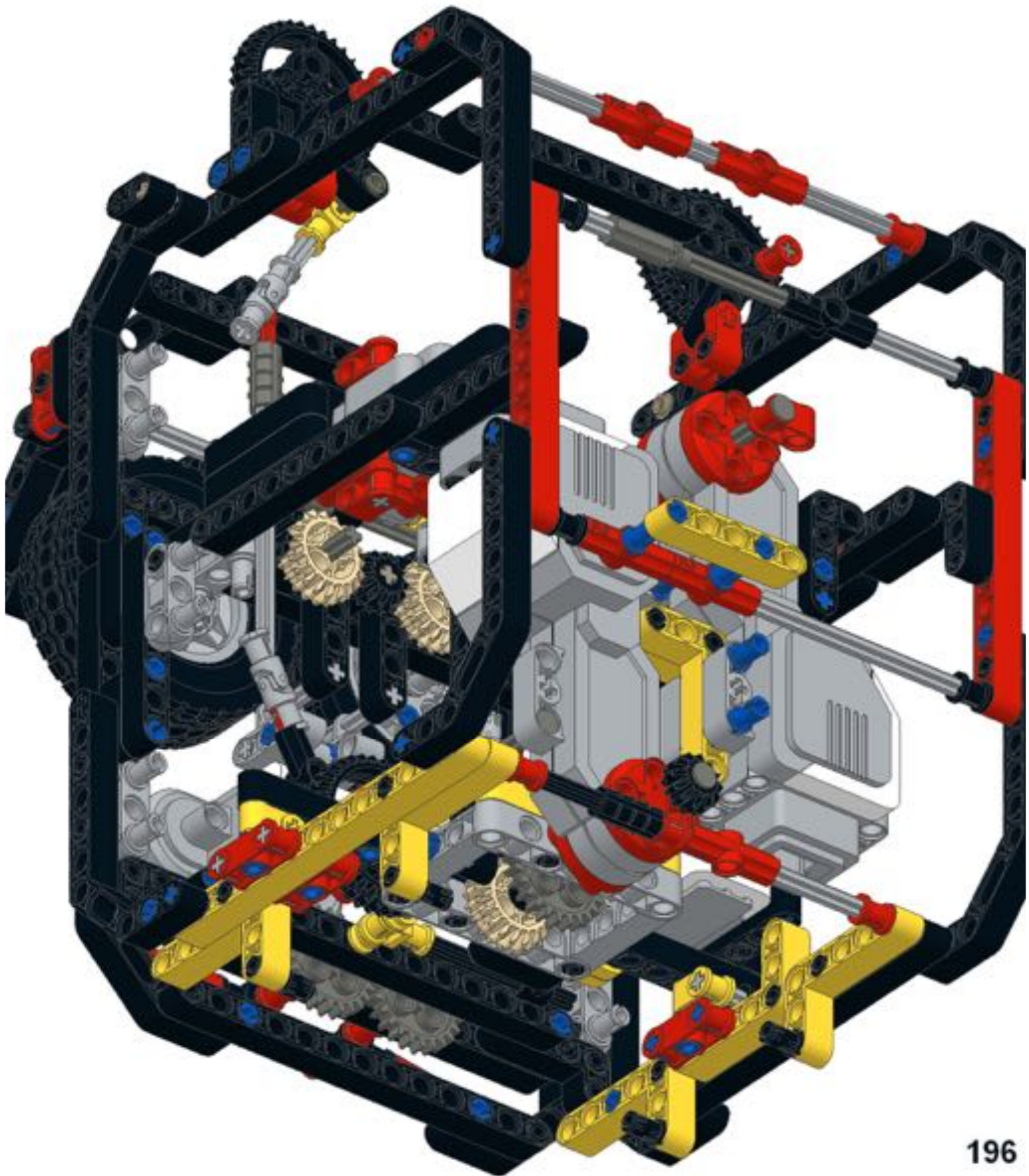


# 195

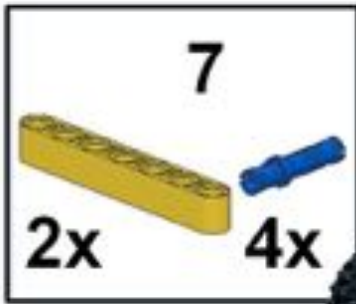


195

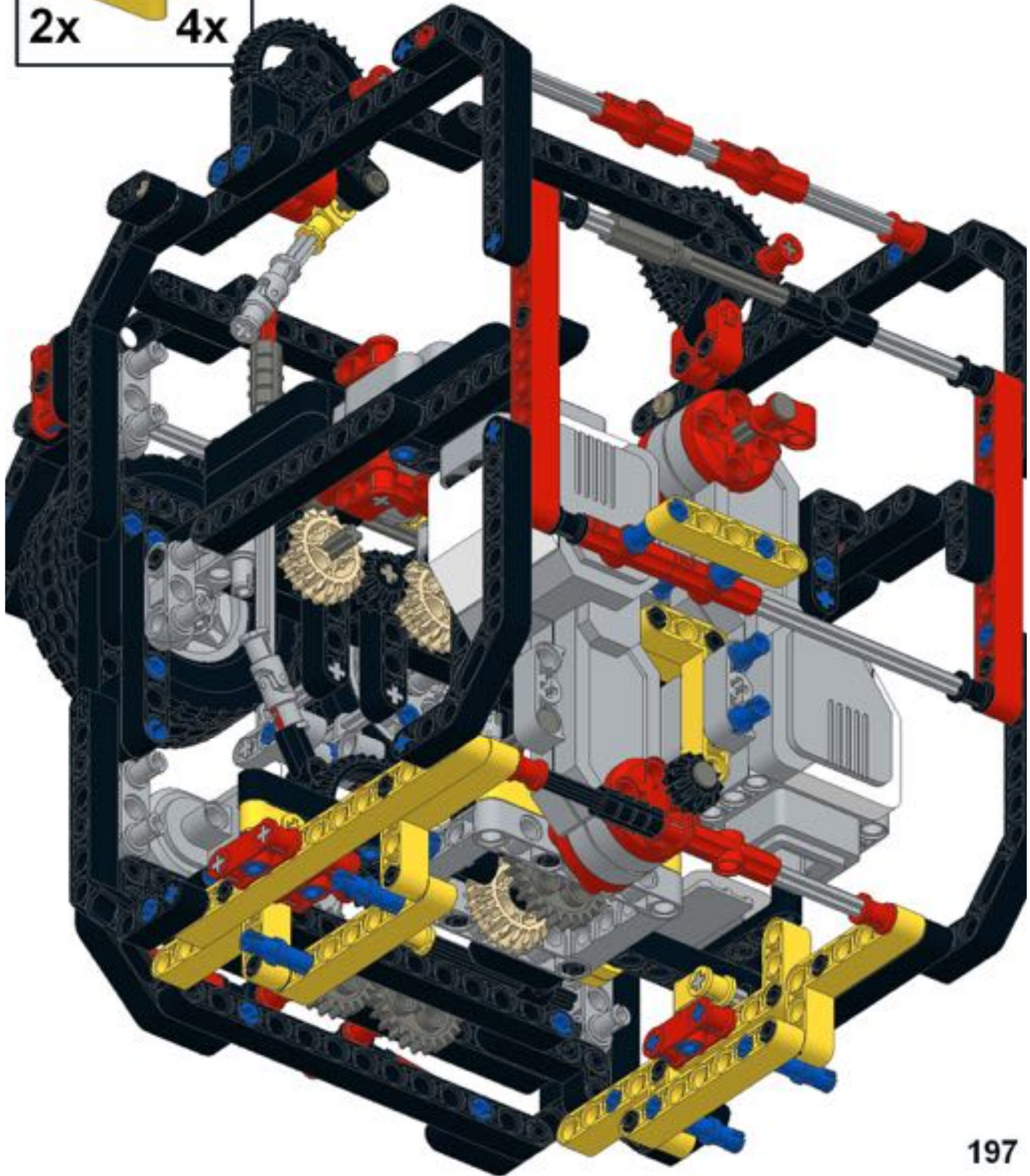
# 196



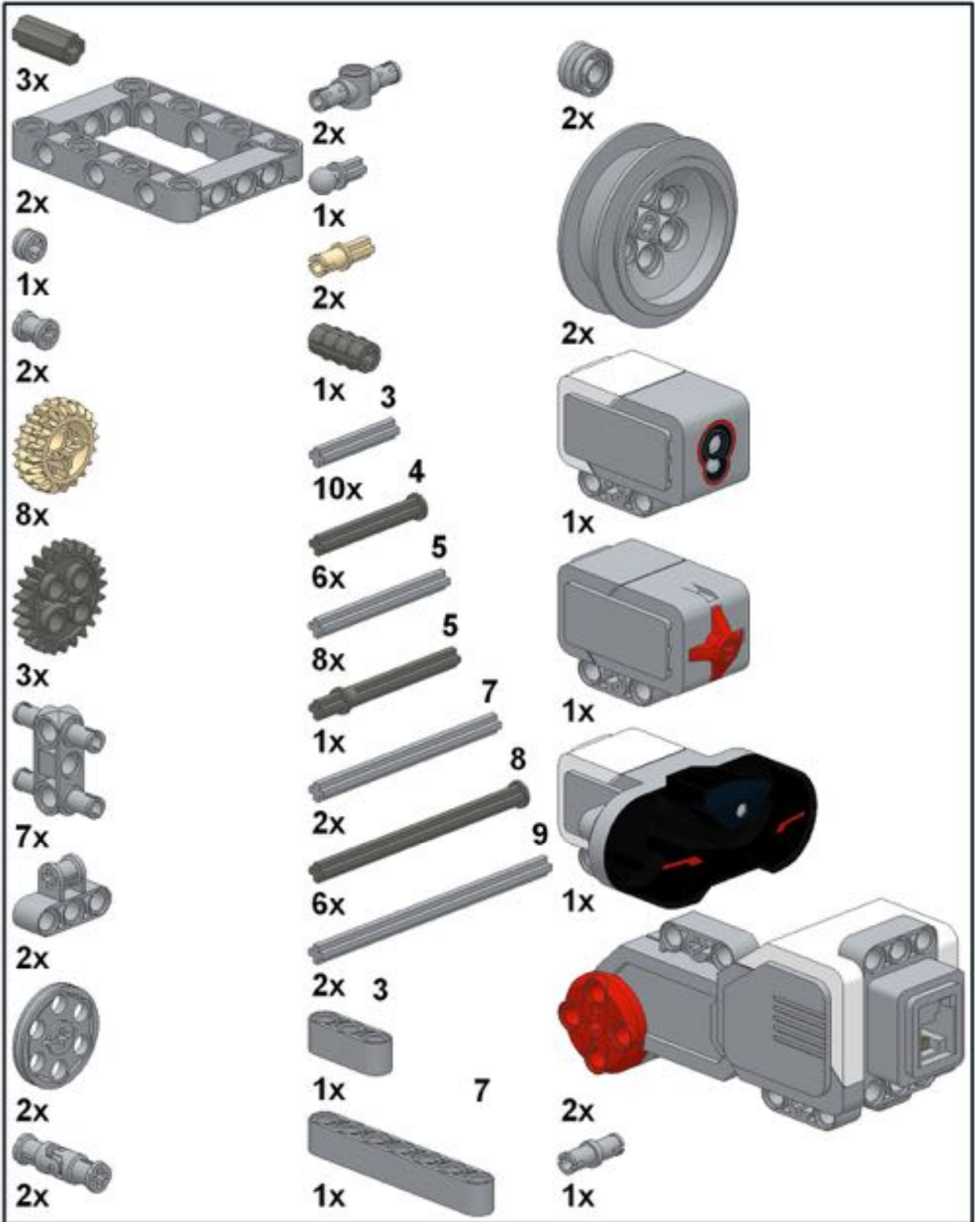
196

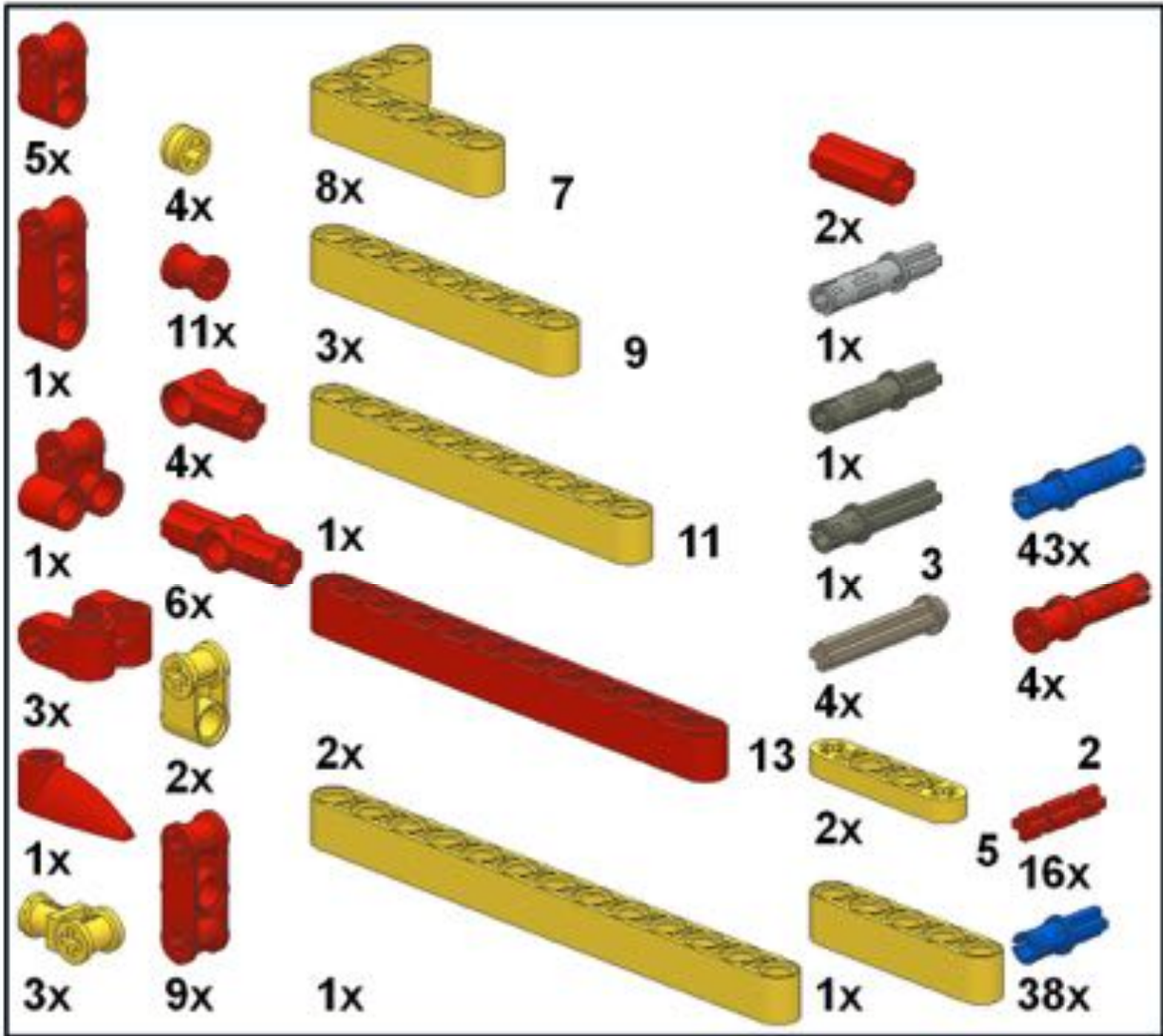


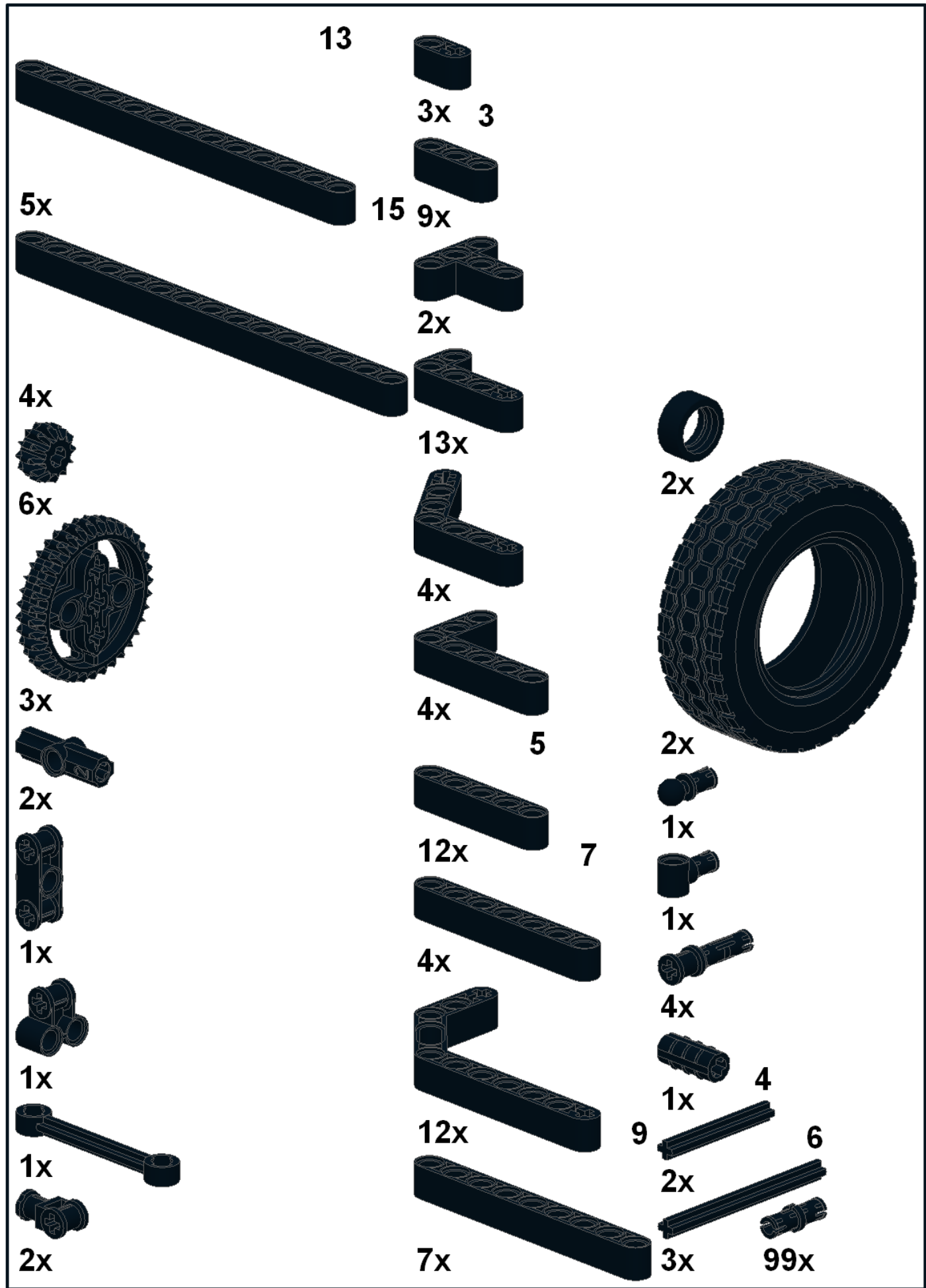
# 197



197





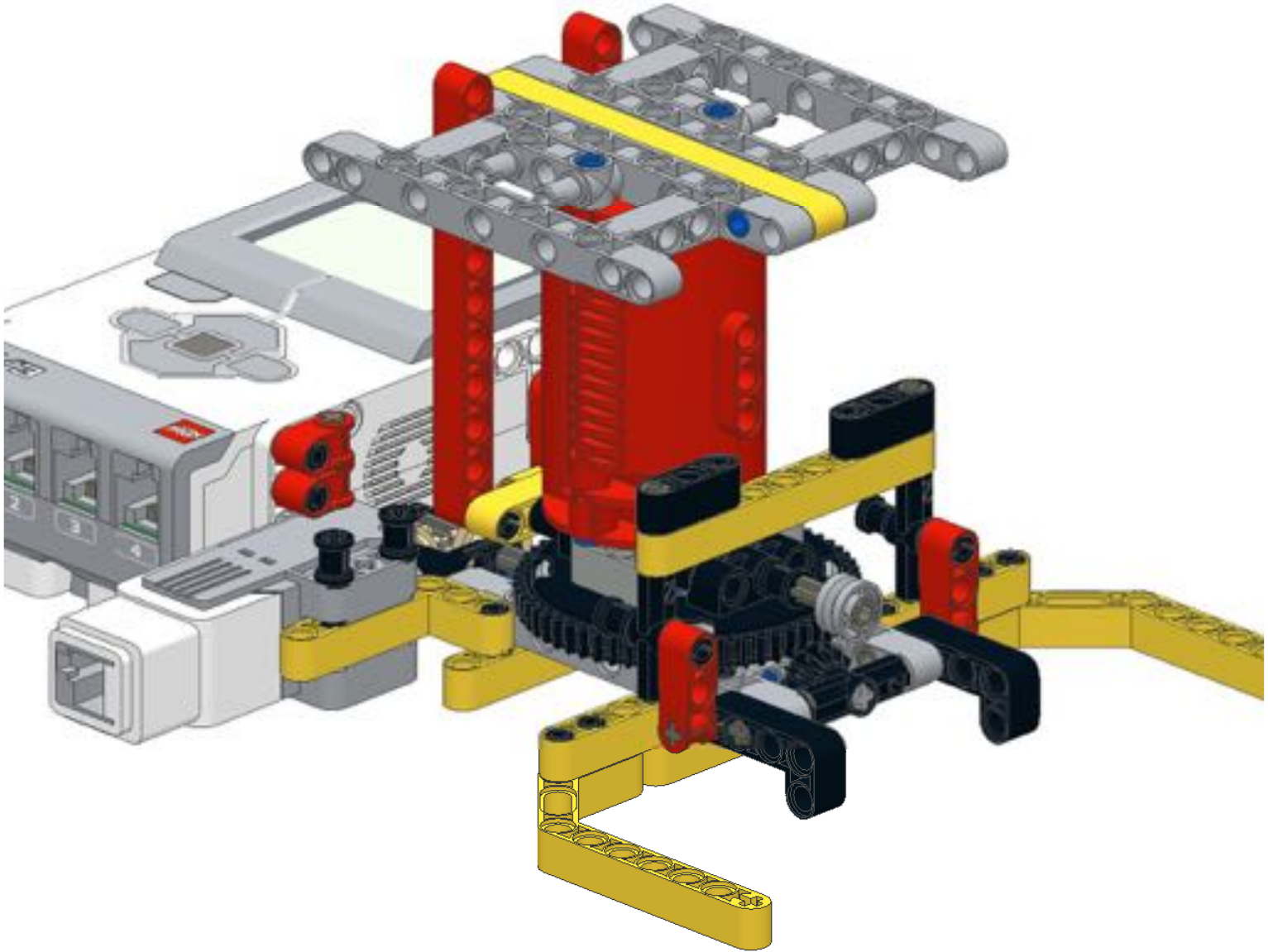


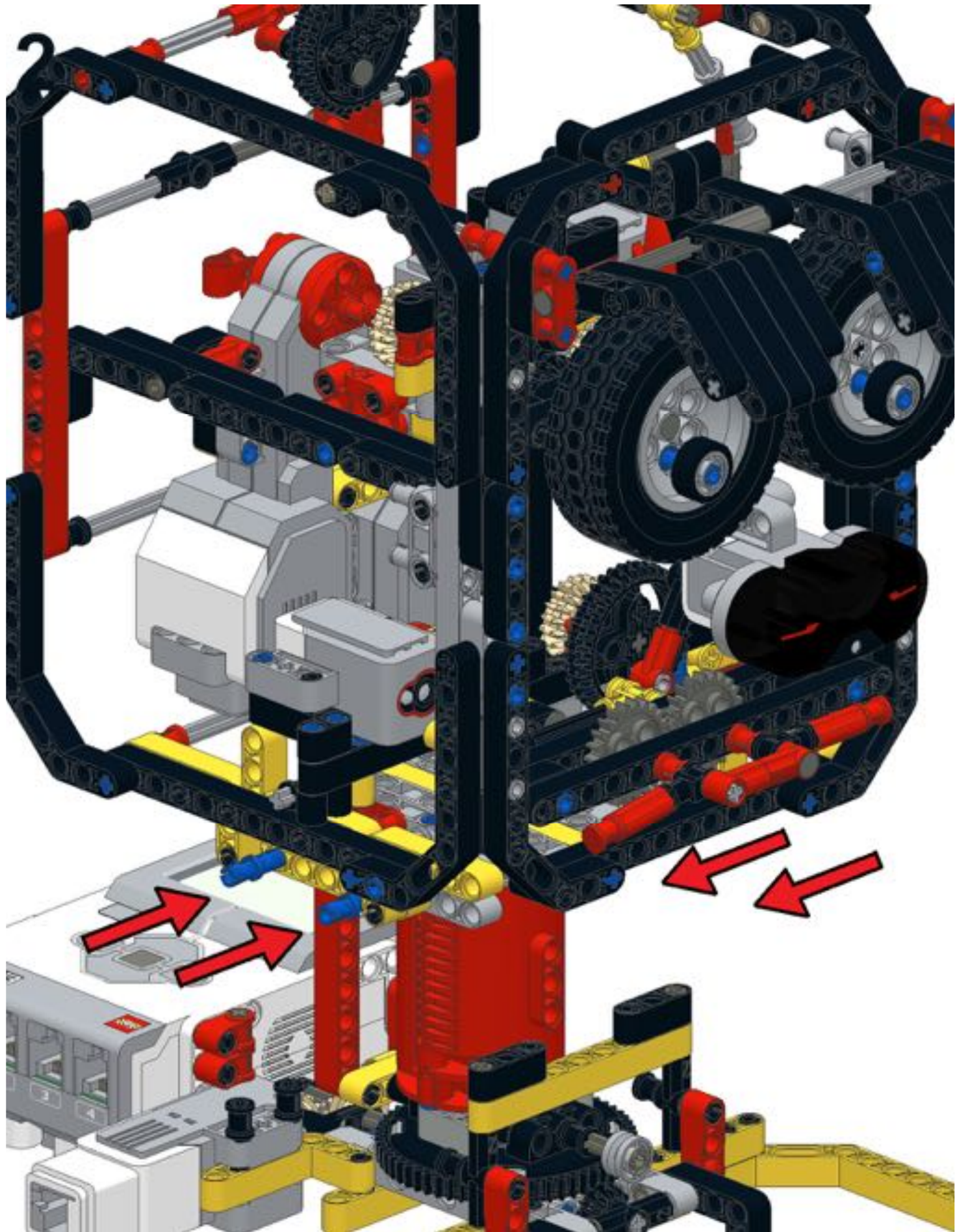


# Pt 3/3, complete



1





The WCF presents ROBO MEXI 2 (51515-1-42615) Community Challenge - June 2016  
MONK3Y HEAD design by Michael Brandl, Building Instructions by Michael Brandl.  
This work is licensed under a Creative Attribution-NonCommercial 4.0 International License. June 2016

